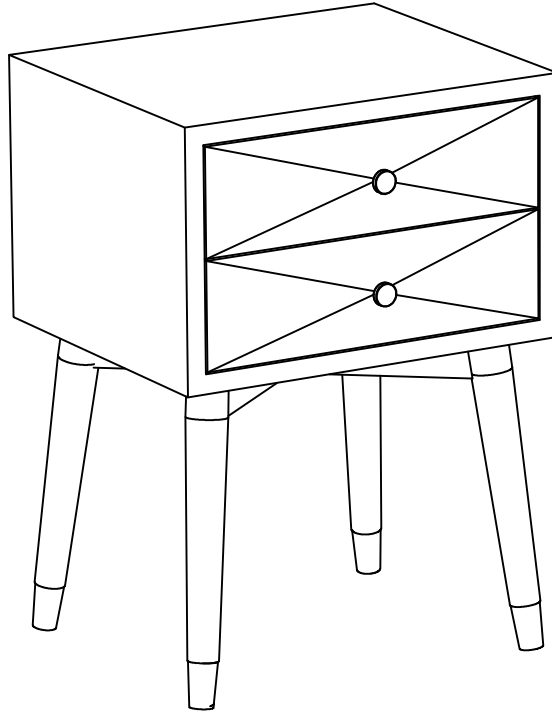


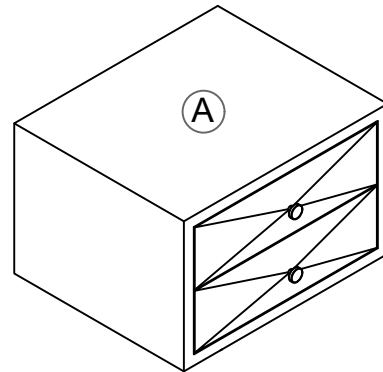
# BUTLER

Assembly Instructions  
3931101/3931403  
CHEST NIGHTSTAND

SPECIALTY COMPANY  
8200 SOUTH CHICAGO AVE. CHICAGO, IL 60617



ITEM	DESCRIPTION	QUANTITY
A	top / drawers box	1
B1	leg	1
B2	leg	1



hardware



H1 x 8  
bolts M6 x 70mm



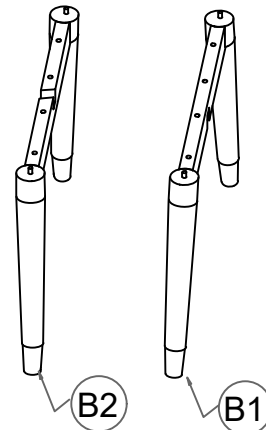
H2 x 8  
flat washers



H3 x 8  
spring washer

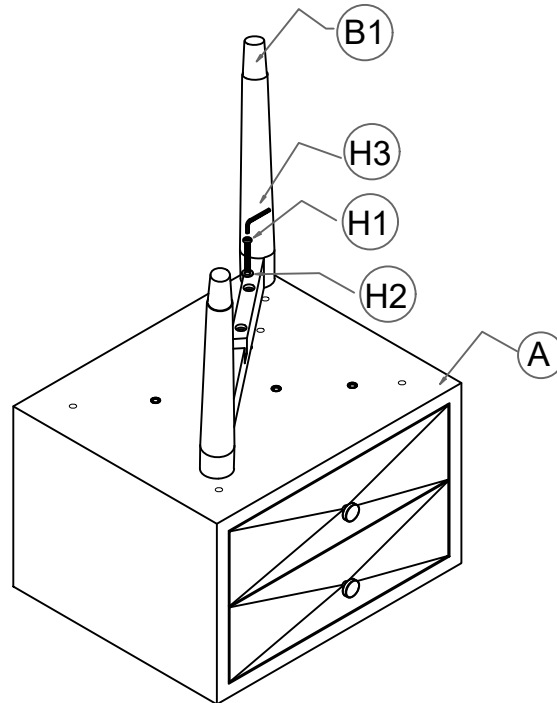


H4 x 1  
hex key #4



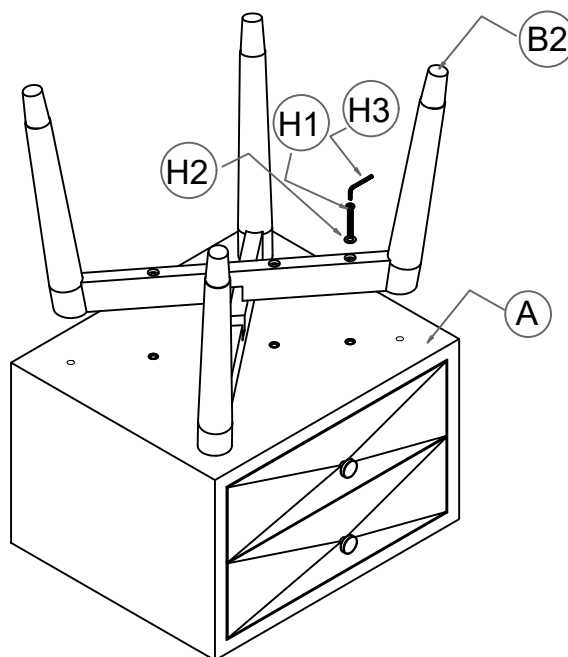
## step 1

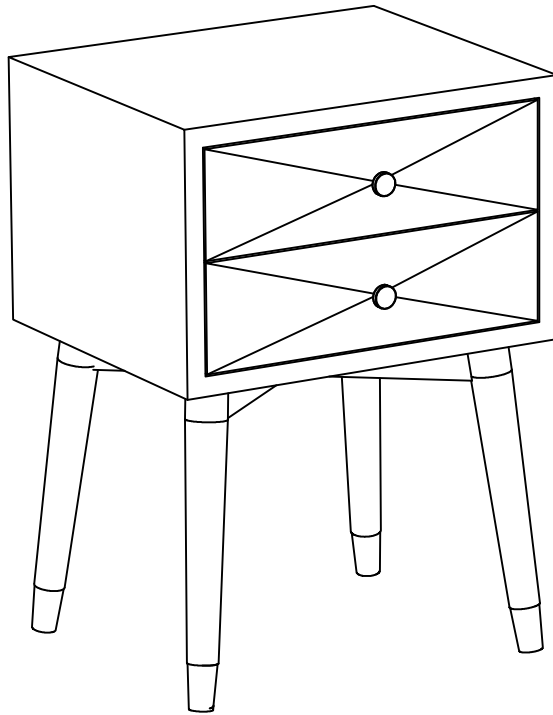
Attach leg (B1) to the bottom of drawer box (A) insert bolt (H1) flat washers (H2), to the pre-drilled holes and tightened using the allen key (H3)



## step 2

Attach leg (B2) to the bottom of drawer box (A) insert bolt (H1) flat washer (H2), to the pre-drilled holes and tightened using the allen key (H3)





### Congratulation

Assembly complete, your Chest Nightstand is ready to use.

(\*) Caution : DO NOT OVERTIGHTEN.

In any correspondence regarding this product, please include the complete Butler identification number located on the underside of the product.

We hope this product will be a useful and decorative addition to your home for many years to come.

Copyright © Butler Specialty Company, 10 / 18