

BUTLER

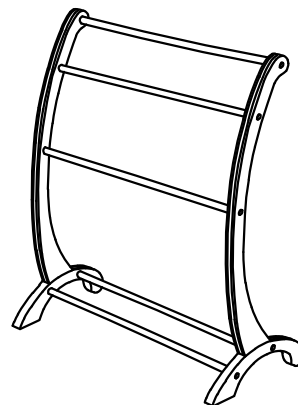
Assembly Instructions
Style Number 3804

SPECIALTY COMPANY

8200 SOUTH CHICAGO AVE.,CHICAGO,IL60617

PACKAGED

- (A) 2-Side Legs
- (B) 5- Rails
- (C) 10-Bolts
- (D) 10- Wood Buttons



Read all instructions before starting assembly.

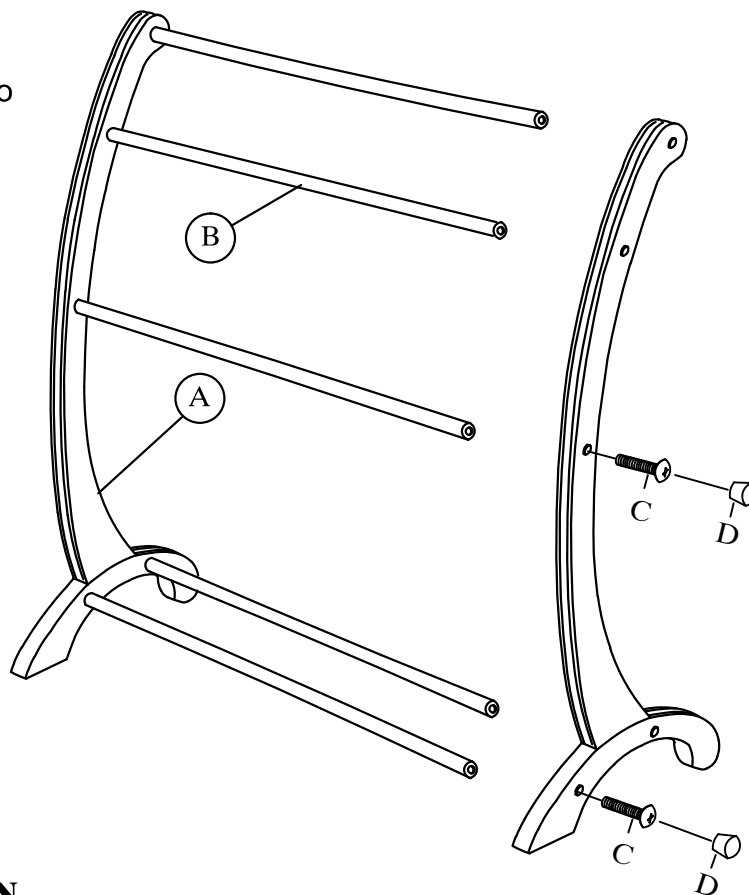
Step #1 Remove all the contents from the package checking that all of the components listed in "Packaged" are included.

Step #2 Attach the Rails (B) one by one to one side Leg (A) by using Bolts (C) But leave the Bolts (C) a little loose.

Step #3 Attach another Side Leg (A) to the rails also using Bolts (C) .

Step#4 Tighten all the Bolts (C) and cover the Bolts (C) with Wood Buttons (D) .

Step #5 Place assembled Blanket Stand into upright position.



(*Caution:DO NOT OVERTIGHTEN

In any correspondence regarding this product,please include the complete Butler identification number located on the underside of the product.

We hope this Blanket Stand will be a useful and decorative addition to your home for years to come.

COPYRIGHT BUTLER SPECIALTY COMPANY,03/2017