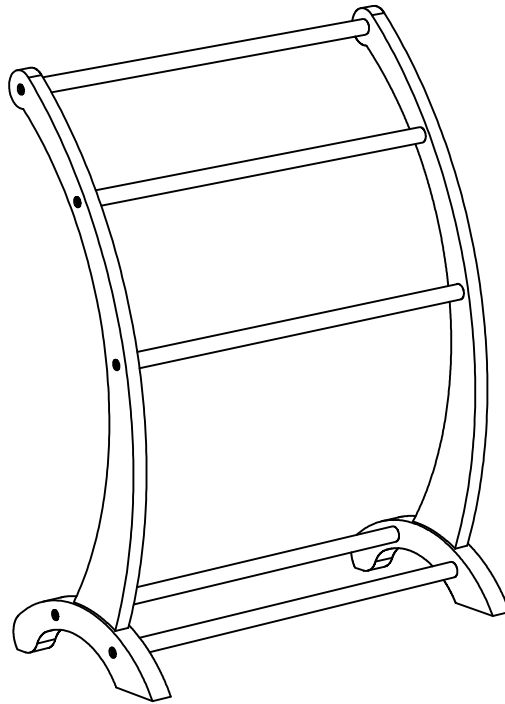


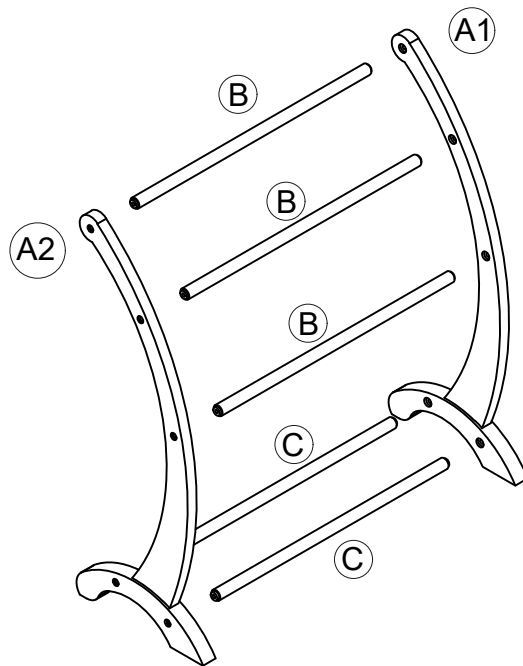
BUTLER

SPECIALTY COMPANY
8200 SOUTH CHICAGO AVE. CHICAGO, IL 60617

Assembly Instructions
3804024, 3804304
Blanket Rack



ITEM	DESCRIPTION	QUANTITY
A1	right leg	1
A2	left leg	1
B	stick (for body)	3
C	stick (for lengs)	2



hardware

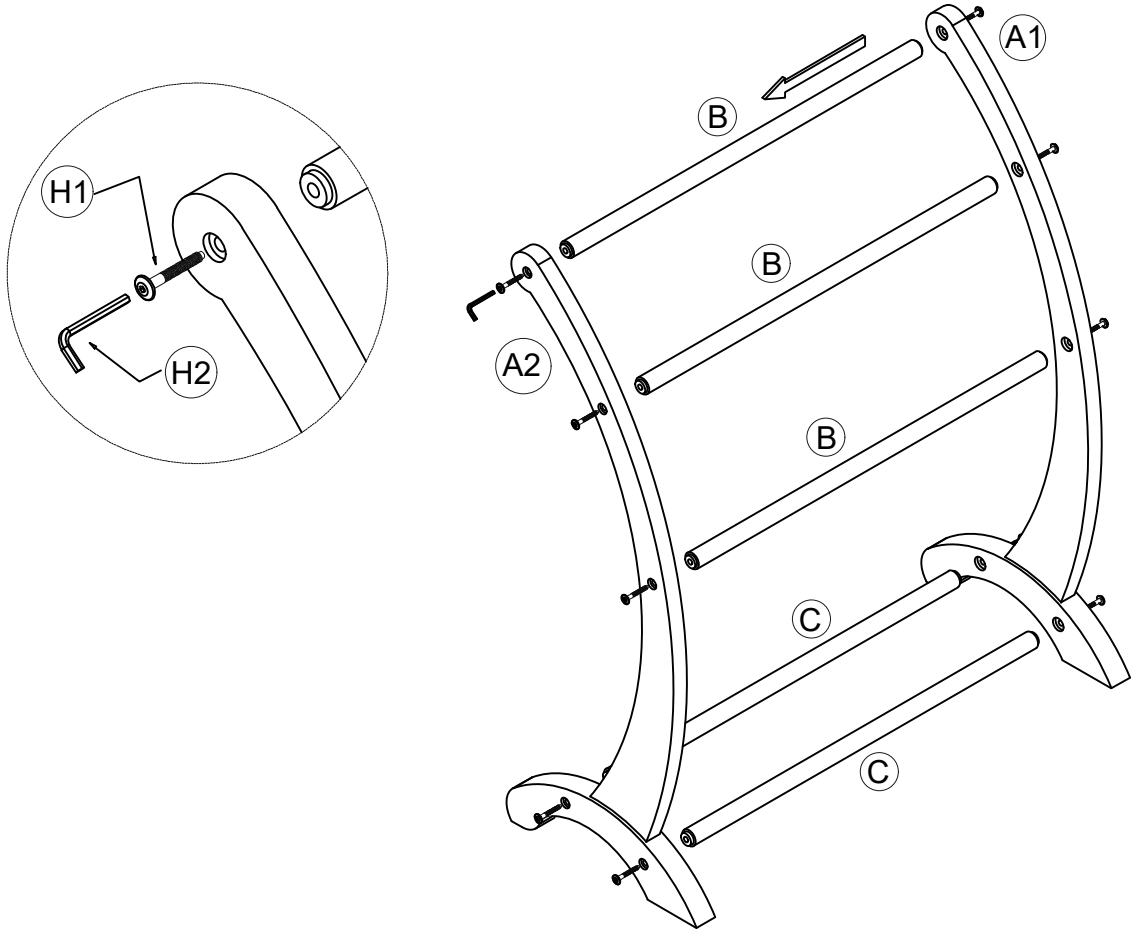


H1 x 8
bolts M6 x 35mm



H2 x 1
hex key #4

step 1



1. Attach a leg to its position
2. Attach stick (B) and stick (C) to the left leg (A2) hole, insert bolt (H1) into the holes and tighten it with hex key (H2)
3. Do the same to other legs

Congratulation

Assembly complete, your Blanket Rack is ready to use.

(*) Caution : DO NOT OVERTIGHTEN.

In any correspondence regarding this product, please include the complete Butler identification number located on the underside of the product.

We hope this product will be a useful and decorative addition to your home for years to come.

Copyright © Butler Specialty Company, 11 / 20