

BUTLER

Assembly Instructions
Style Number 3782 140

SPECIALTY COMPANY

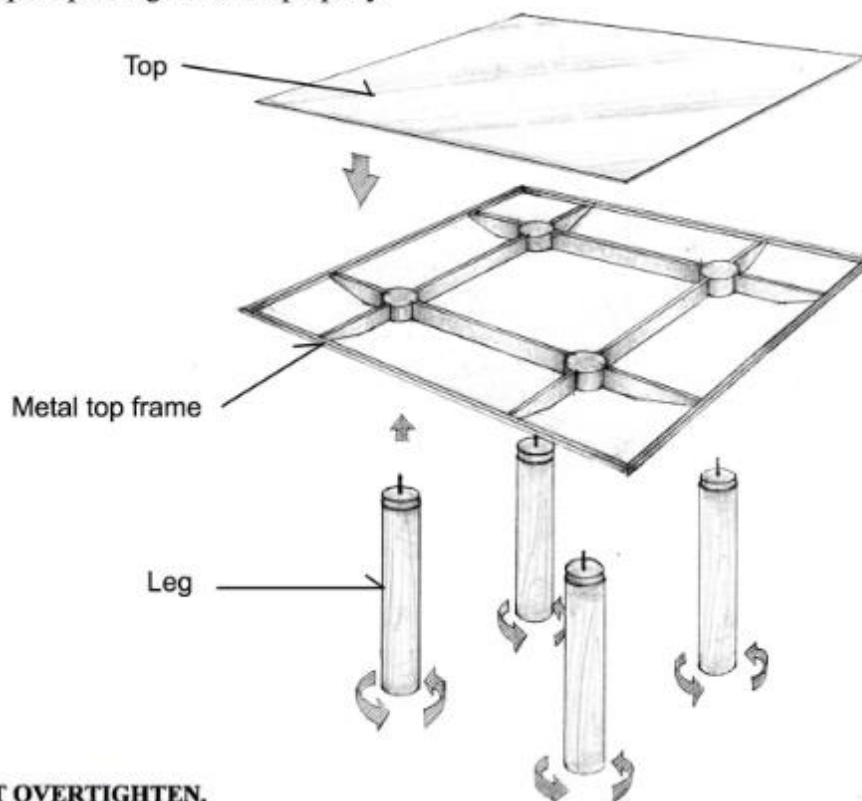
8200 SOUTH CHICAGO AVE. CHICAGO, IL 60617

PACKAGED

- (A) 4 - Legs
- (B) 1 - Clear glass

Read all instructions before starting assembly.

- Step #1** Assemble the table upside down on a flat, plain and soft surface.
- Step #2** Attach the leg and turn to tighten.
- Step #3** Turn the table on its upright position.
- Step #4** Place the glass and inset to the top.
- Step #5** Keep this instruction for future reference.
- Step #6** Dispose packing materials properly.
- Step #7**



(*) Caution: DO NOT OVERTIGHTEN.

In any correspondence regarding this product, please include the complete Butler identification number located on the underside of the product.

We hope this will be a useful and decorative addition to your home for years to come.

Copyright © Butler Specialty Company, 10/04