

BUTLER

Assembly Instructions
Style Number: 3746236

SPECIALTY COMPANY
8200 SOUTH CHICAGO AVE., CHICAGO, IL 60617

PACKAGED

- | | | |
|----------------------|--------------------|---------------|
| (A) 4- Leg | (B) 1-Table Top | |
| (C) 1 - Allen key | (D) 8- Bolt | |
| (E) 8- Spring washer | (F) 8- Flat washer | (G) 2- Drawer |

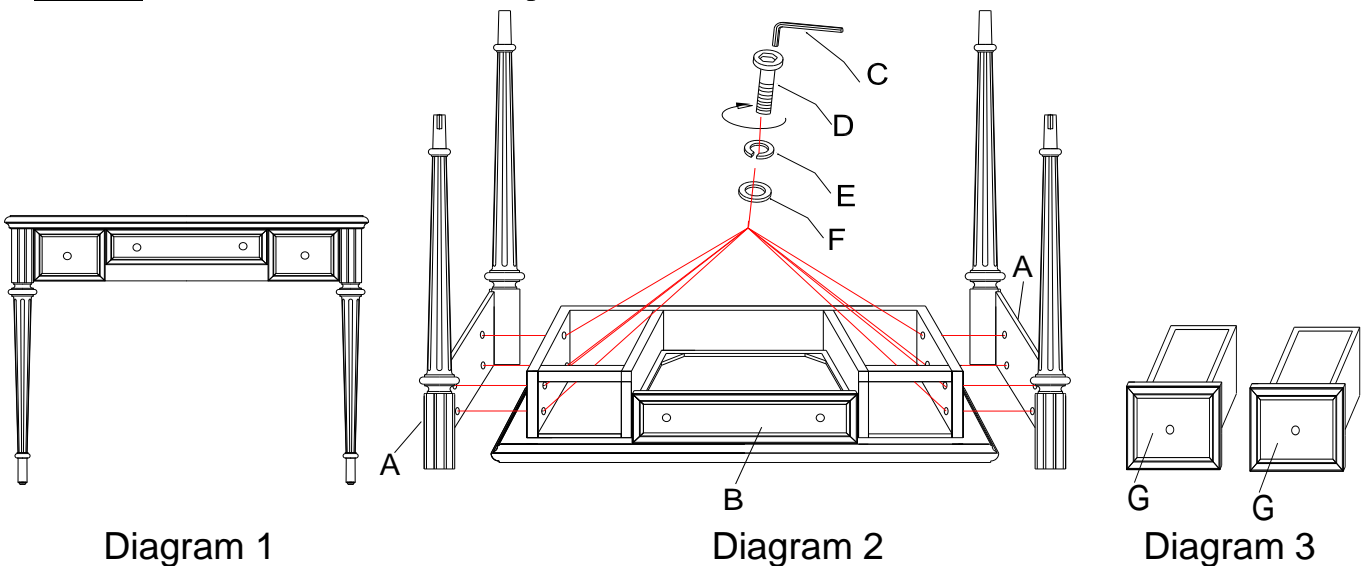
Read all instructions before starting assembly.

Step #1 Check all the components listed in "packaged" are included. Carefully put the top (B) on a flat and protected work surface being careful not to scratch the finish.

Step #2 Attach the Legs (A) to the Table top (B) with Allen key (C), Bolts (D), Spring washers(E) and Flat washers(F); However, you should leave the bolts loosely. See Diagram 2.

Step #3 Turn the Ladies desk upright.

Step #4 Put Drawer (G) on Table top (B)



(*) Caution: DO NOT OVERTIGHTEN.

In any correspondence regarding this product, please include the complete Butler identification number located on the underside of the product.

We hope this Ladies Desk will be a useful and decorative addition to your home for years to come.

Copyright © Butler Specialty Company 12/2016