

# BUTLER

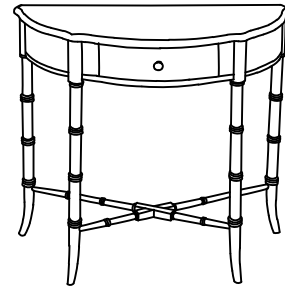
SPECIALTY COMPANY

8200 SOUTH CHICAGO AVE., CHICAGO, IL 60617

## Assembly Instructions Style Number 3623

### PACKAGED

- |                               |                        |
|-------------------------------|------------------------|
| (A) 8-Bolt 1/4" x 1-1/2" L    | (E) 1-Top              |
| (B) 8-Lock Washer 1/4"        | (F) 2-Front Leg        |
| (C) 8-Flat Washer 1/4" x 16mm | (G) 1-Back Left Leg    |
| (D) 4-Wood Screw              | (H) 1-Back Right Leg   |
|                               | (I) 1-Cross Stretchers |



### Read all instructions before starting assembly.

**Step #1** Remove all the contents from the package and check all the components listed in "Packaged" are included. Carefully lay console Top (E) upside down on a flat, protected work surface and pull out the drawer by 2/3, being careful not to dislodge the drawer and not to scratch the finish.

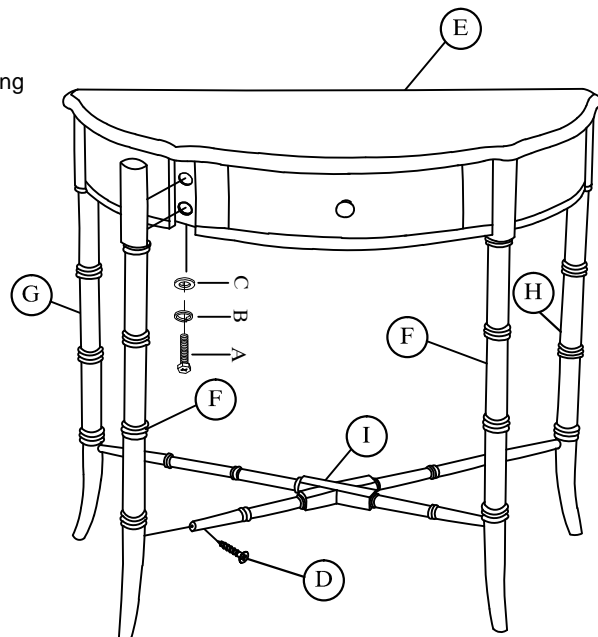
**Step #2** Align one Front Leg (F) into the front notch of table Top (E) apron against the corresponding holes and attach by using Flat Washer (C), Lock Washer (B) and Bolt (A), loosely tighten. Repeat procedure for the other Front Leg (F).

**Step #3** Align the Back Left Leg (G) to the back corner of console Top (E) against corresponding holes and attach by using Flat Washer (C), Lock Washer (B) and Bolt (A), loosely tighten. Repeat procedure for the Back Right Leg (H).

**Step #4** Attach the console Cross Stretcher (I) into the legs (F) through the countersink hole on the legs (F) by using Wood Screw (D). Repeat the procedure for the rest of the Legs (G,H). Loosely tighten.

**Step #5** Securely tighten all Bolts (A) and Wood Screws (D) in step #2 #3 and #4.

**Step #4** Turn the assembled Table into upright position.



### (\* Caution: DO NOT OVERTIGHTEN

In any correspondence regarding this product, please include the complete Butler identification number located on the underside of the product.

*We hope this Demi Console will be a useful and decorative addition to your home for years to come.*

Copyright © Butler Specialty Company, 10/15