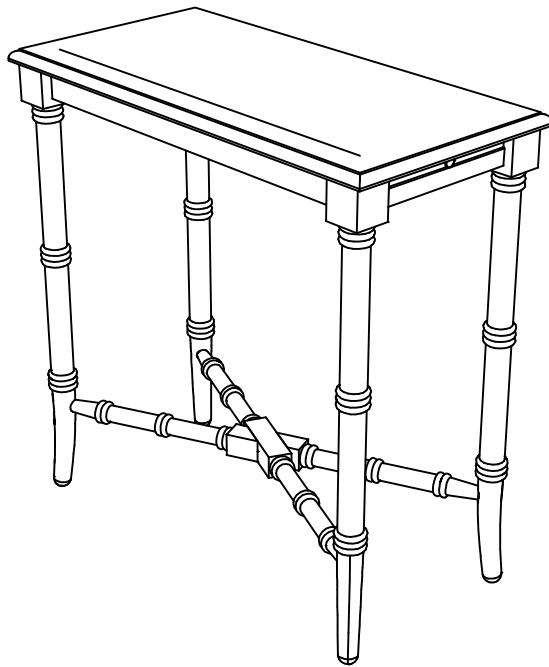


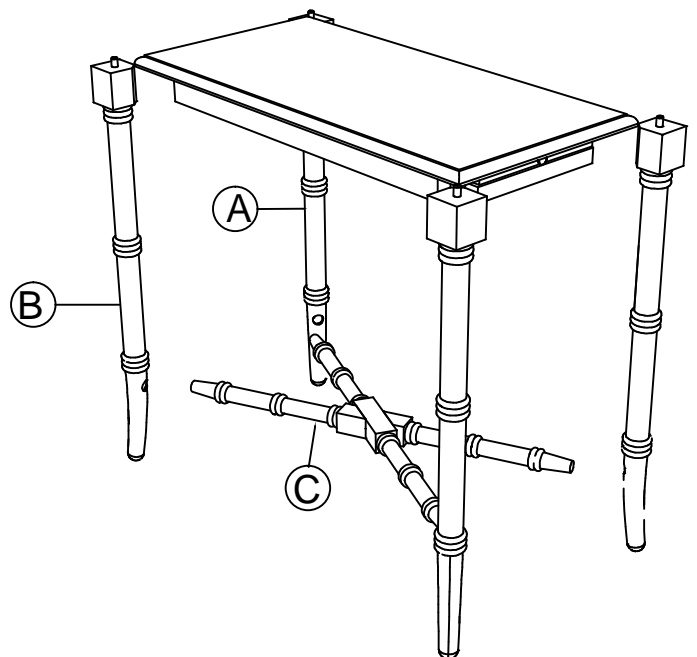
# BUTLER

Assembly Instructions  
3531024  
CHAIRSIDE TABLE

SPECIALTY COMPANY  
8200 S SOUTH CHICAGO AVE. CHICAGO IL 60617



ITEM	DESCRIPTION	QUANTITY
A	TOP	1
B	LEG	4
C	STRECHER	1



## hardware



Ⓓ H1 x 4  
bolt M6 x 50mm



Ⓔ H2 x 4  
flat washers



Ⓕ H3 x 4  
spring washers

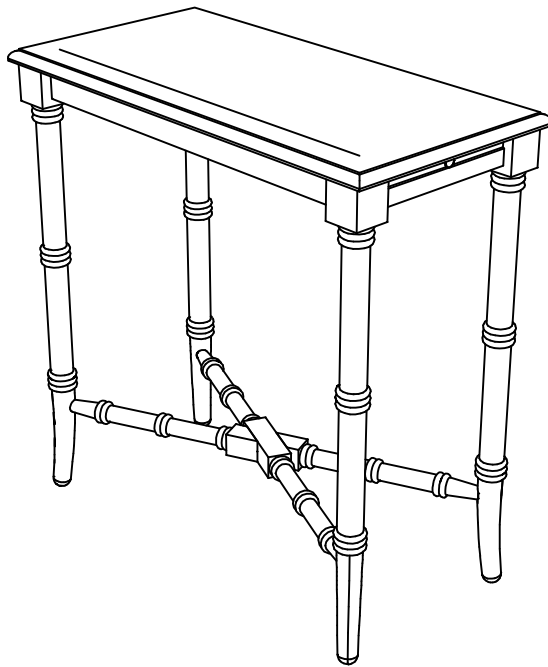


Ⓖ H4 x 1  
hex key #4



Ⓗ H5 x 4  
SCREW Ø8x1 $\frac{1}{4}$ "

Congratulation  
Assembly complete, your Chairside table is ready to use



( \* ) Caution : **DO NOT OVERTIGHTEN**

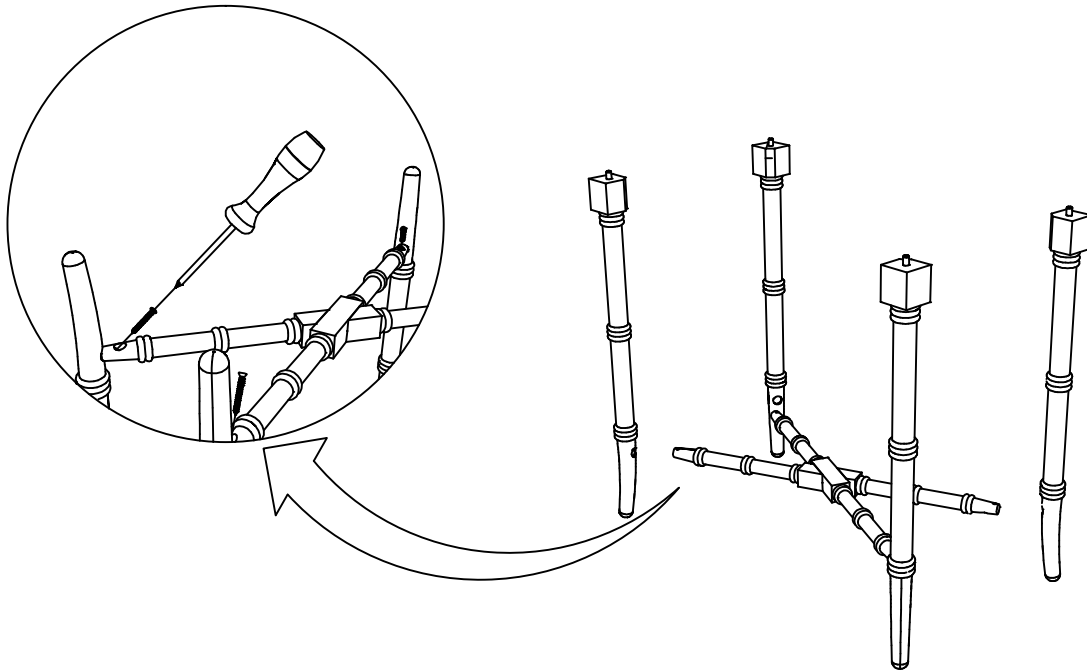
In any correspondence regarding this product, please include the complete Butler identification number located on the underside of the product.

We hope this product will be a useful and decorative addition to your home for years to come.

Copyright© Butler Specialty Company, 08 / 20

## step 1

Attach Strecher (C) to the legs (B), Screw  $\text{Ø}8 \times 1 \frac{1}{4}$ " (H) to the pre drilled holes at the bottom of chairside table and tighten the using the screw driver.



## step 2

Take off the drawer of the Chairside table, lay up side down your Top of console table (A) on smooth surface. Attach Leg (B) to the Top (A), insert Flat washers (E), Spring washers (F), and Bolt (D) to the pre-drilled holes and tighten by using the Allen key (G)

