





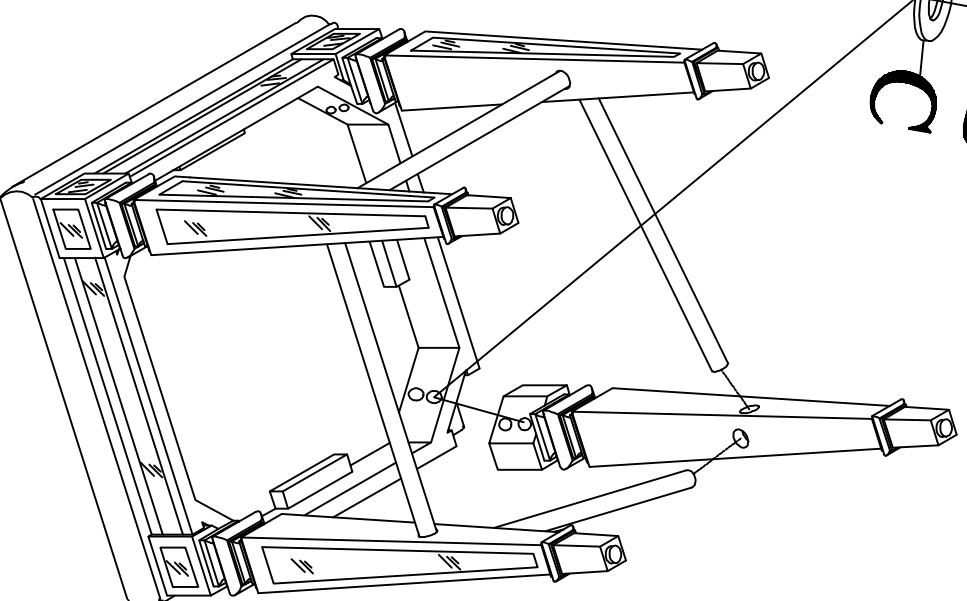
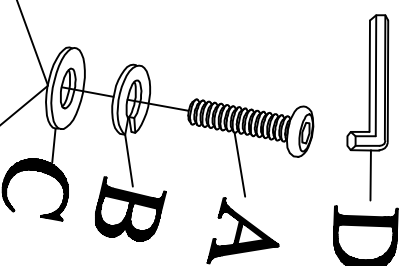
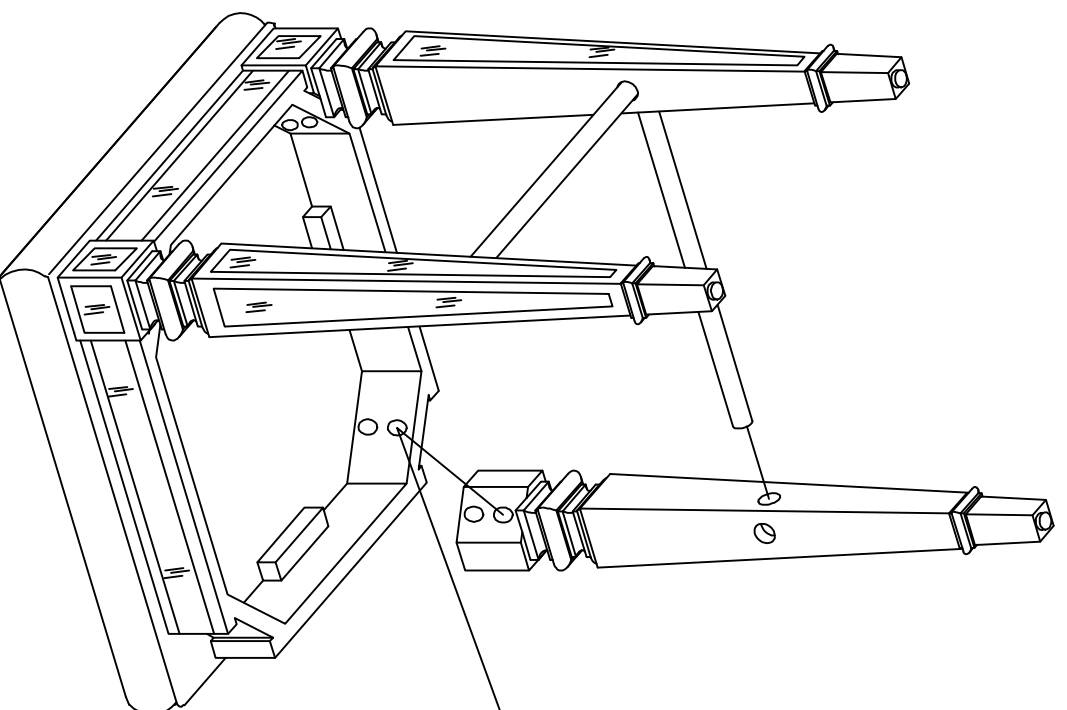
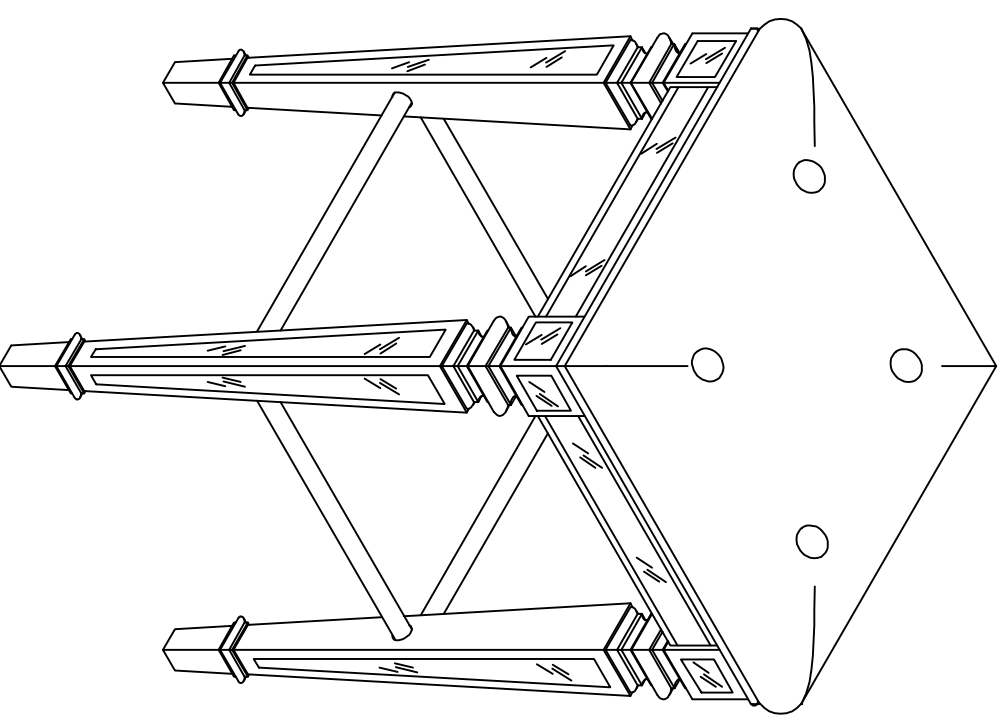
# BUTLER

Assembly Instructions  
Style Number 3505146

SPECIALTY COMPANY  
8200 SOUTH CHICAGO AVE., CHICAGO, IL 60617

## PACKAGED

(A)	 Bolt	dia 5/16"*1-3/4"L	8 PCS
(B)	 Lock Washer	dia 5/16"	8 PCS
(C)	 Flat Washer	dia 5/16"*19 MM	8 PCS
(D)	 Wrench	5MM	1 PC



### Read all instructions before starting assembly

- Step #1** Check all the components listed in "packaged" are included. Carefully lay the Top upside down on a flat and protected work surface being careful not to scratch the finish.
- Step #2** Please assemble the connecting rod and the leg together. See Diagram
- Step #3** Please assemble the leg and the top frame together by using bolt (A), lock washer (B), flat washer (C) & tighten the post. See Diagram

### (\*Caution:DO NOT OVERTIGHTEN

In any correspondence regarding this product, please include the complete Butler identification number located on the underside of the product.

*We hope this Bar Stool will be a useful and decorative addition to your home for years to come.*

Copyright © Butler Specialty Company, 04/14