

# BUTLER

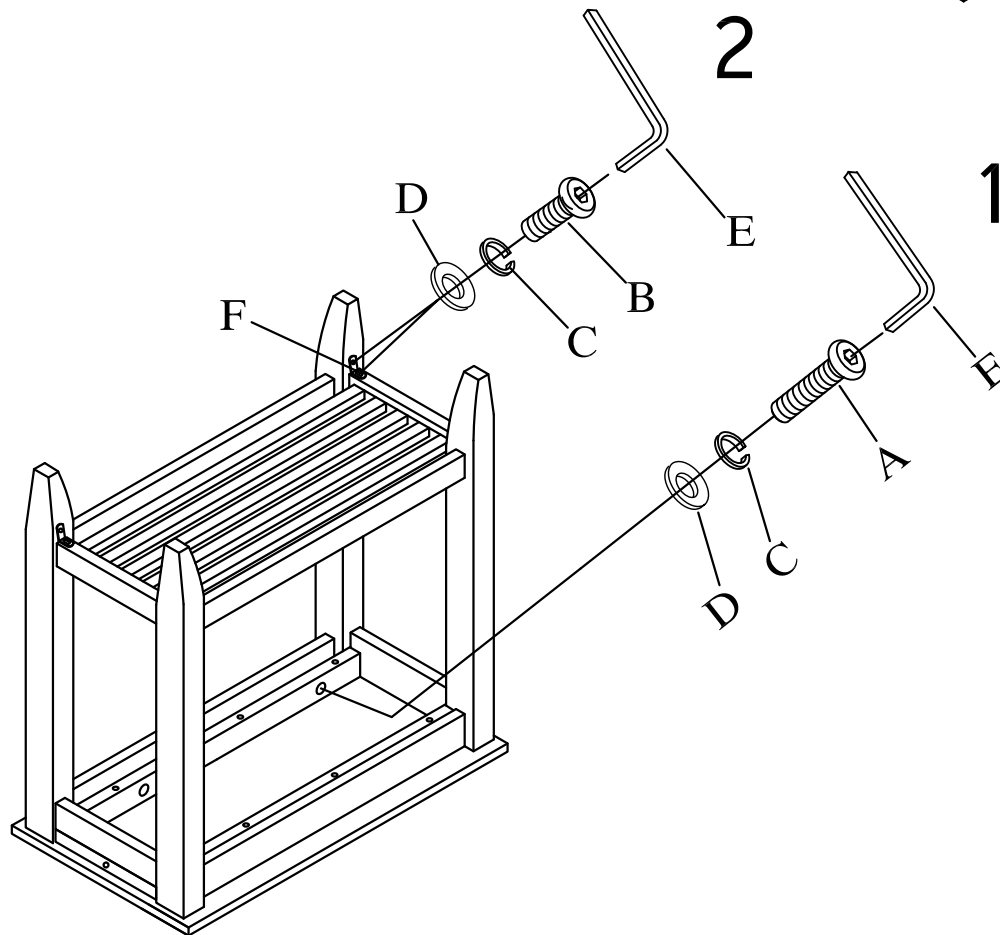
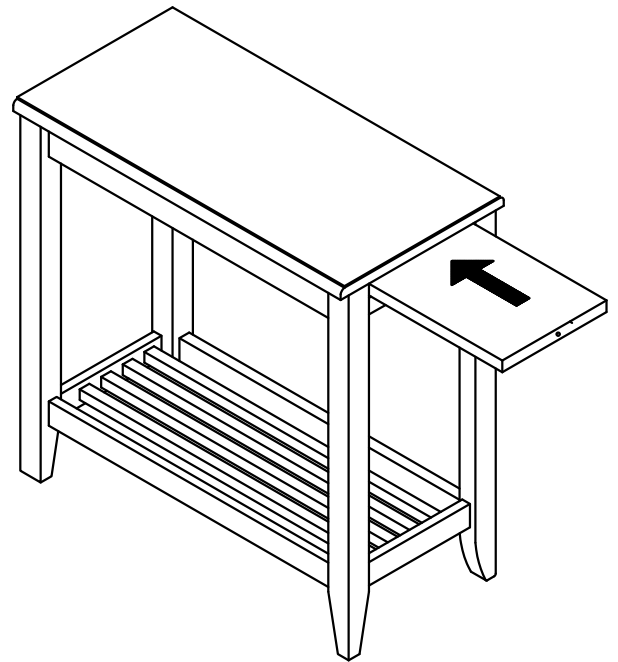
Assembly Instructions  
Style Number 3025

SPECIALTY COMPANY

8200 SOUTH CHICAGO AVE., CHICAGO, IL 60617

## PACKAGED

- (A) 4- Bolt □ 1/4"\*1-3/4"
- (B) 8- Bolt □ 1/2"\*1/2"
- (C) 12- Lock Washer □ 1/4"
- (D) 12- Flat Washer □ 1/4"\*Dia16mm
- (E) 1- Allen Wrench □ 1/4"
- (F) 4- "L "Bracket



## (\*Caution:DO NOT OVERTIGHTEN

In any correspondence regarding this product, please include the complete Butler identification number located on the underside of the product.

*We hope this Recliner Table will be a useful and decorative addition to your home for years to come.*

Copyright © Butler Specialty Company, 10/08