

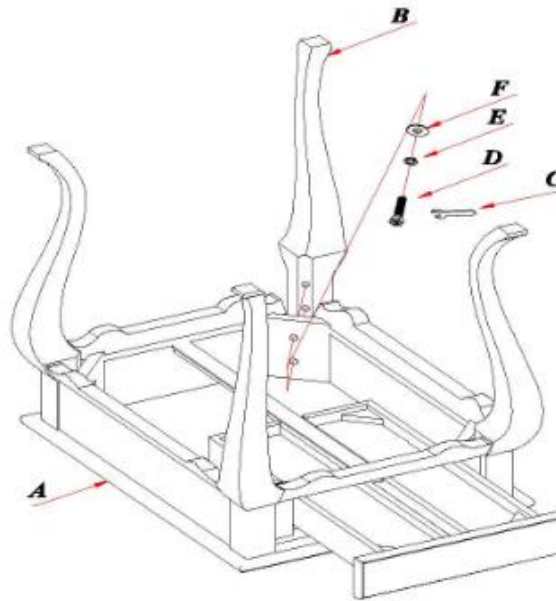
# BUTLER

*Assembly Instructions  
Style Number 3022*

**SPECIALTY COMPANY  
8200 SOUTH CHICAGO AVE., CHICAGO, IL 60617**

## PACKAGED

- |                               |                    |                |
|-------------------------------|--------------------|----------------|
| (A) 1 –Table Top              | (D) 8 –Bolt        | Dia:5/16**2"   |
| (B) 4 –Leg                    | (E) 8 –Lock Washer | Dia:5/16"      |
| (C) 1 –Allen Wrench Dia:5/16" | (F) 8 –Flat Washer | Dia:5/16**19mm |



(\* Caution: DO NOT OVERTIGHTEN.

In any correspondence regarding this product, please include the complete Butler identification number located on the underside of the product.

*We hope this Table will be a useful and decorative addition to your home for years to come.*

Copyright © Butler Specialty Company, 04/2010