

# BUTLER

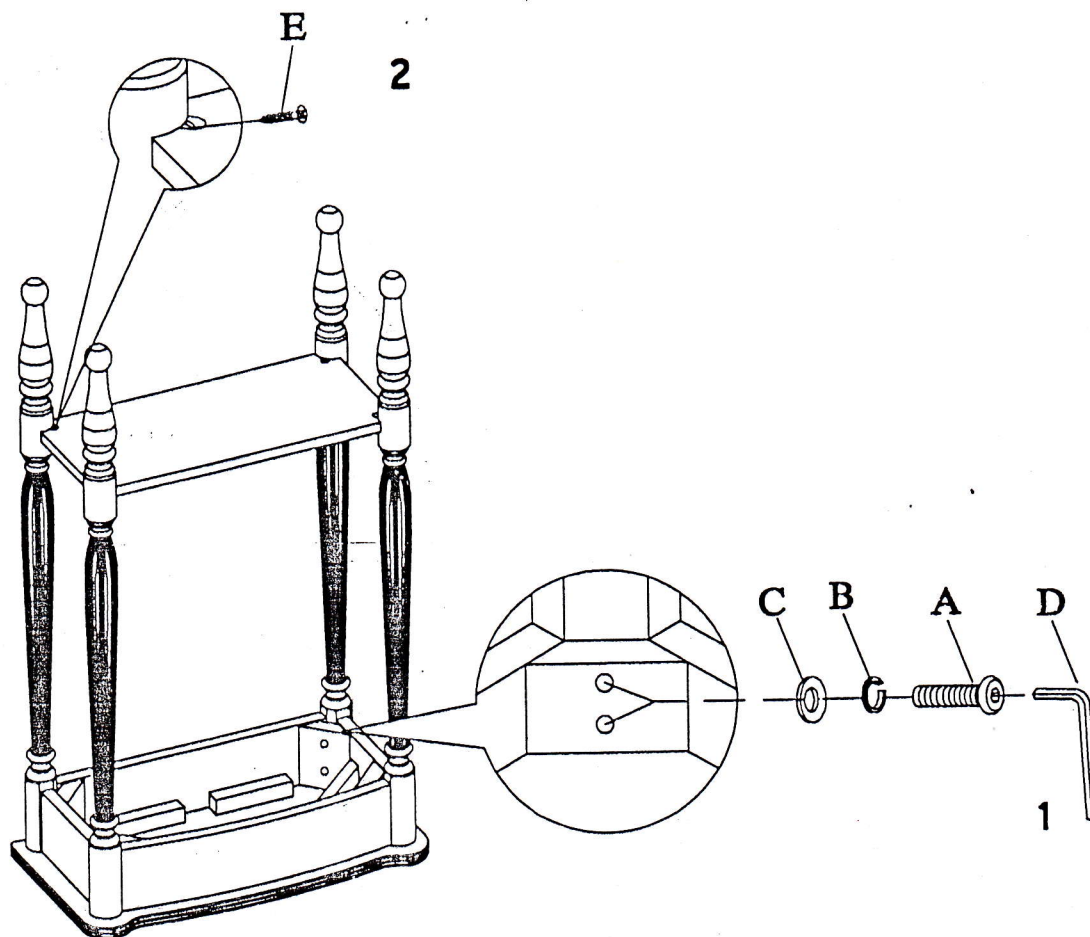
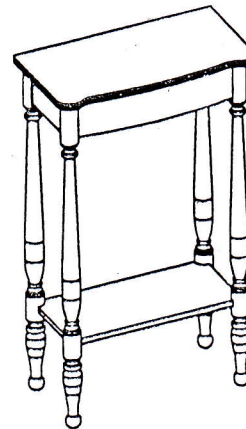
SPECIALTY COMPANY

8200 SOUTH CHICAGO AVE., CHICAGO, IL 60617

Assembly Instructions  
Style Number 3011024

**PACKAGED**

- (A) 8- Bolt  $\square$  5/16" x 2"
- (B) 8- Lock Washer  $\square$  5/16"
- (C) 8- Flat Washer  $\square$  5/16" Dia 19mm
- (D) 1- Allen Wrench  $\square$  5/16"
- (E) 4- Screw #8 x 1"



(\* Caution: DO NOT OVERTIGHTEN.

In any correspondence regarding this product, please include the complete Butler identification number located on the underside of the product.

*We hope this table will be a useful and decorative addition to your home for years to come.*

Copyright © Butler Specialty Company, 06/11