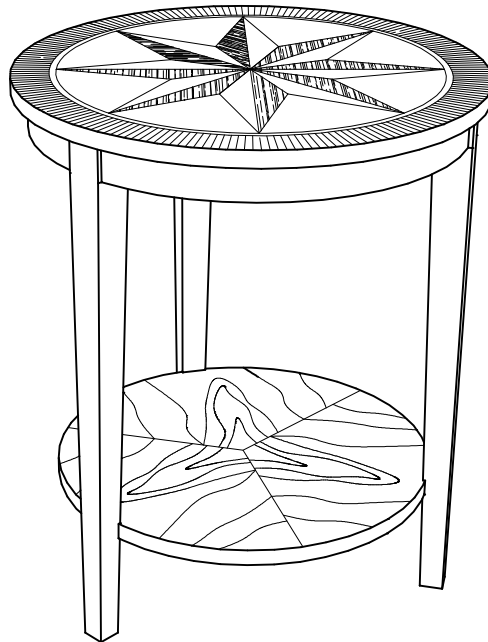


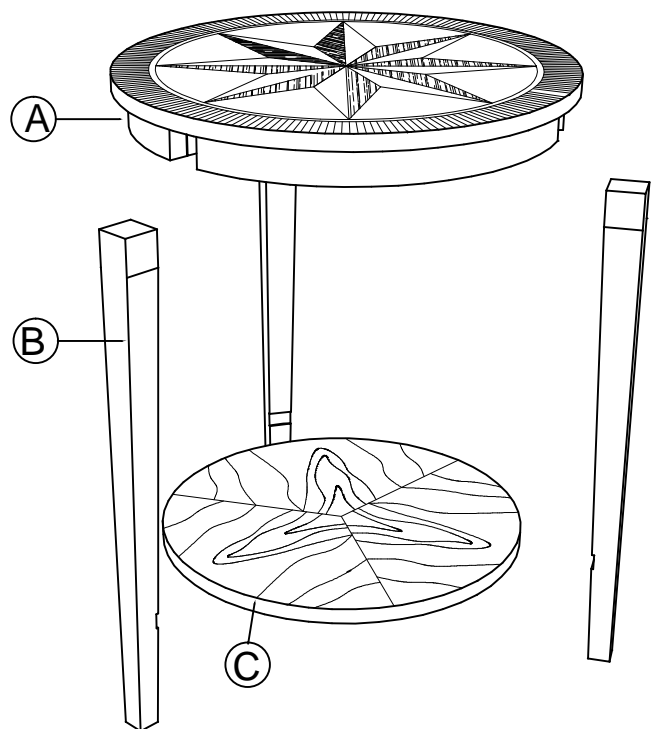
BUTLER

Assembly Instructions
2946257
ACCENT TABLE

SPECIALTY COMPANY
8200 S SOUTH CHICAGO AVE. CHICAGO IL 60617



ITEM	DESCRIPTION	QUANTITY
A	TOP	1
B	LEG	3
C	SHELF	1



hardware



Ⓓ H1 x 6
bolt M6 x 50mm



Ⓔ H2 x 6
flat washers



Ⓕ H3 x 6
spring washers



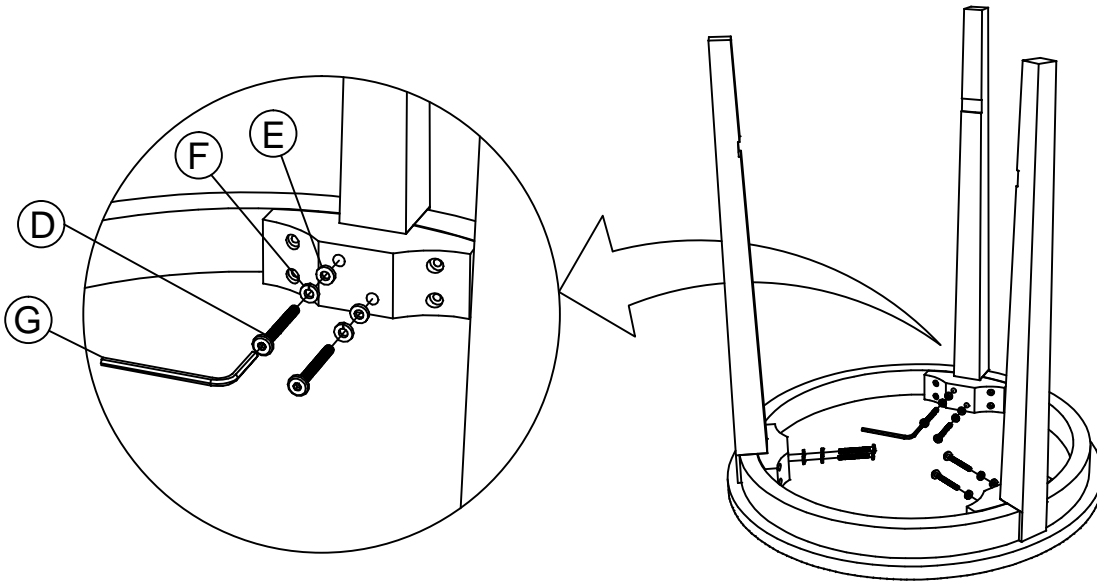
Ⓖ H4 x 1
hex key #4



Ⓗ H5 x 3
SCREW Ø8x1 $\frac{1}{4}$ "

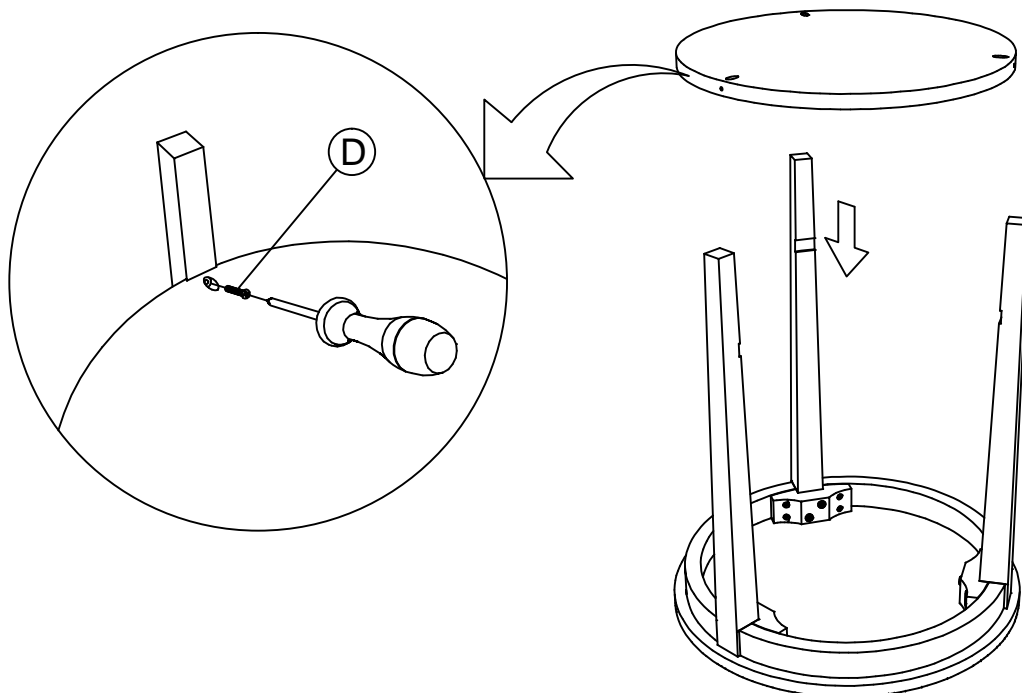
step 1

Lay up side down your Top of accent table (A) on smooth surface. Attach Leg (B) to the Top (A), insert Flat washers (E), Spring washers (F), and Bolt (D) to the pre-drilled holes and tighten by using the Allen key (G).

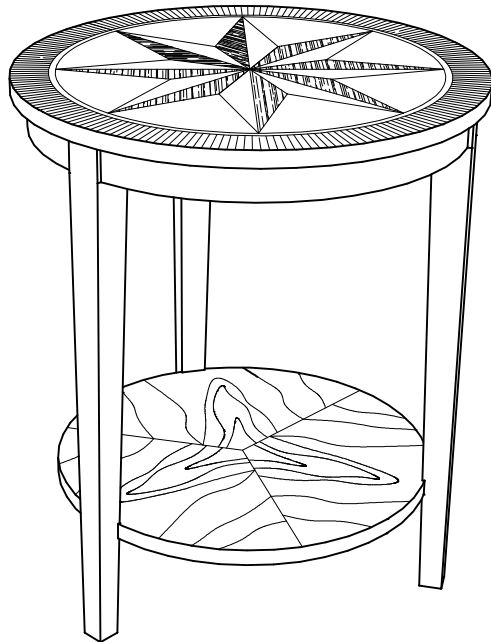


step 2

Attach Shelf (C) to the legs (B), Screw $\text{Ø}8\text{x } 1\frac{1}{4}$ " (H) to the pre drilled holes at the bottom of Accent table and tighten the using the screw driver.



Congratulation
Assembly complete, your Accent table is ready to use



(*) Caution : **DO NOT OVERTIGHTEN**

In any correspondence regarding this product, please include the complete Butler identification number located on the underside of the product.

We hope this product will be a useful and decorative addition to your home for years to come.

Copyright© Butler Specialty Company, 08 / 20