








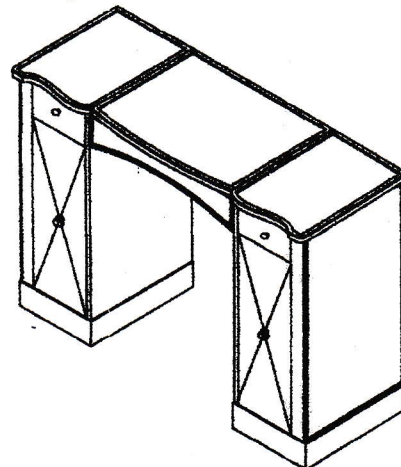
BUTLER

Assembly Instructions
Style Number 2909146

SPECIALTY COMPANY
8200 SOUTH CHICAGO AVE., CHICAGO, IL 60617

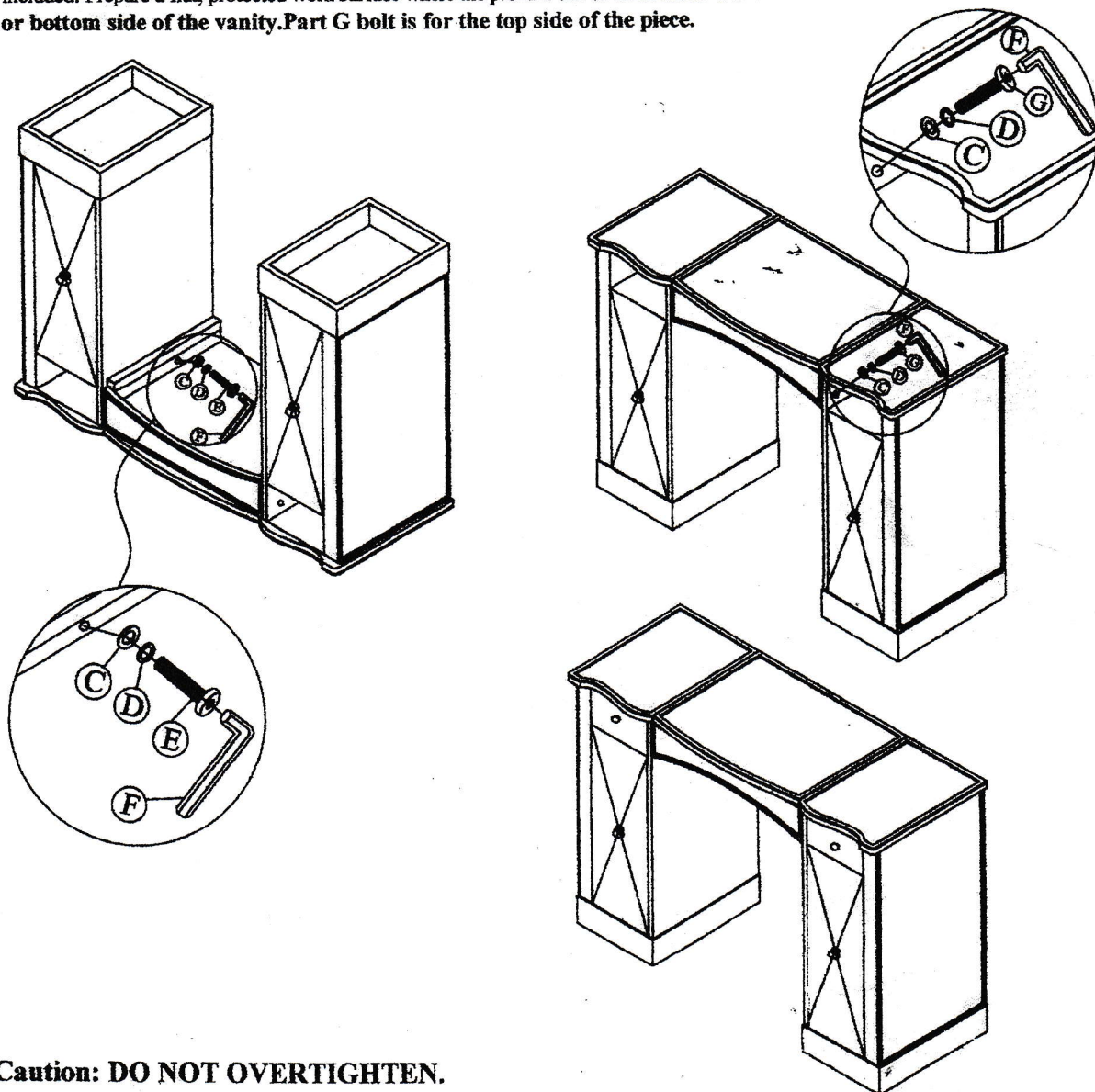
PACKAGED

- | | |
|---|---|
| (A) 1-  1pc | (C) 3-  Ø5/16"X16mm FLAT WASHER 6pcs |
| (B) 2-  2pcs | (D) 4-  Ø5/16" LOCK WASHER 6pcs |
| | (E) 5-  Ø5/16"X1-1/4" ALLEN BOLTS 2pcs |
| | (F) 6-  5MM ALLEN WRENCH 1pcs |
| | (G) 7-  Ø5/16"X1-1/4" ALLEN BOLTS 4pcs |



Read all instructions before starting assembly.

Step#1 Remove all the contents from the package checking that all of the components listed in "Packaged" are included. Prepare a flat, protected work surface where the product can be assembled. **Part E bolt are for the underneath or bottom side of the vanity. Part G bolt is for the top side of the piece.**



(*)Caution: DO NOT OVERTIGHTEN.

In any correspondence regarding this product, please include the complete Butler identification number located on the underside of the product.

We hope this Vanity will be a useful and decorative addition to your home for years to come.

Copyright Butler Specialty Company, 10/11