

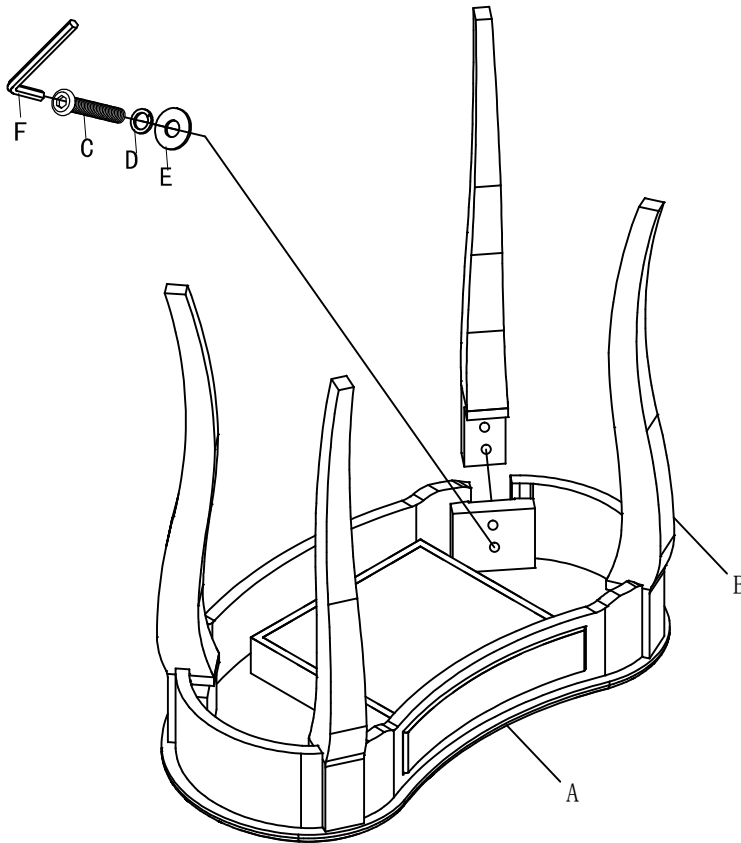
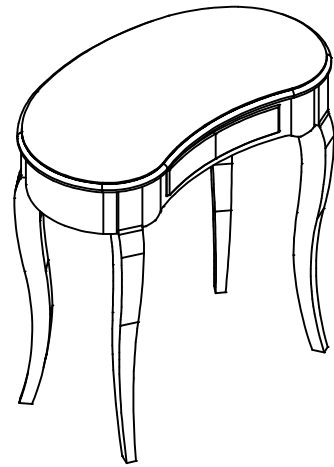
BUTLER

*Assembly Instructions
Style Number 2601*

SPECIALTY COMPANY

8200 SOUTH CHICAGO AVE., CHICAGO, IL 60617

- (A) 1 - Top
- (B) 4 - Legs
- (C) 8 - Screw $\Phi_{16}^{5} * 2" L$
- (D) 8 - Spring Washer
- (E) 8 - Washer
- (F) 1 - Wench



(*)Caution: DO NOT OVERTIGHTEN.

In any correspondence regarding this product, please include the complete Butler identification number located on the underside of the product.

We hope this table will be a useful and decorative addition to your home for years to come.

Copyright © Butler Specialty Company, 04/13