

BUTLER

*Assembly Instructions
Style Number 2427*

SPECIALTY COMPANY

8200 SOUTH CHICAGO AVE., CHICAGO, IL 60617

PACKAGED

- | | |
|----------------------------|-----------------------------|
| (A) 1 –Table Top | (F) 8 –Spring Washer |
| (B) 4 –Leg | (G) 4 –Wood Screw 8#*1-1/2" |
| (C) 2 –Stretcher | (H) 1 –Wood Screw 8#*1" |
| (D) 8 –Bolt ϕ 1/4"*2" | |
| (E) 8 –Flat Washer | |

Read all instructions before starting assembly.

Step # 1

Turn the Table Top (A) upside down onto a smooth, clean surface, such as a carpeted floor ◦

Step # 2 :

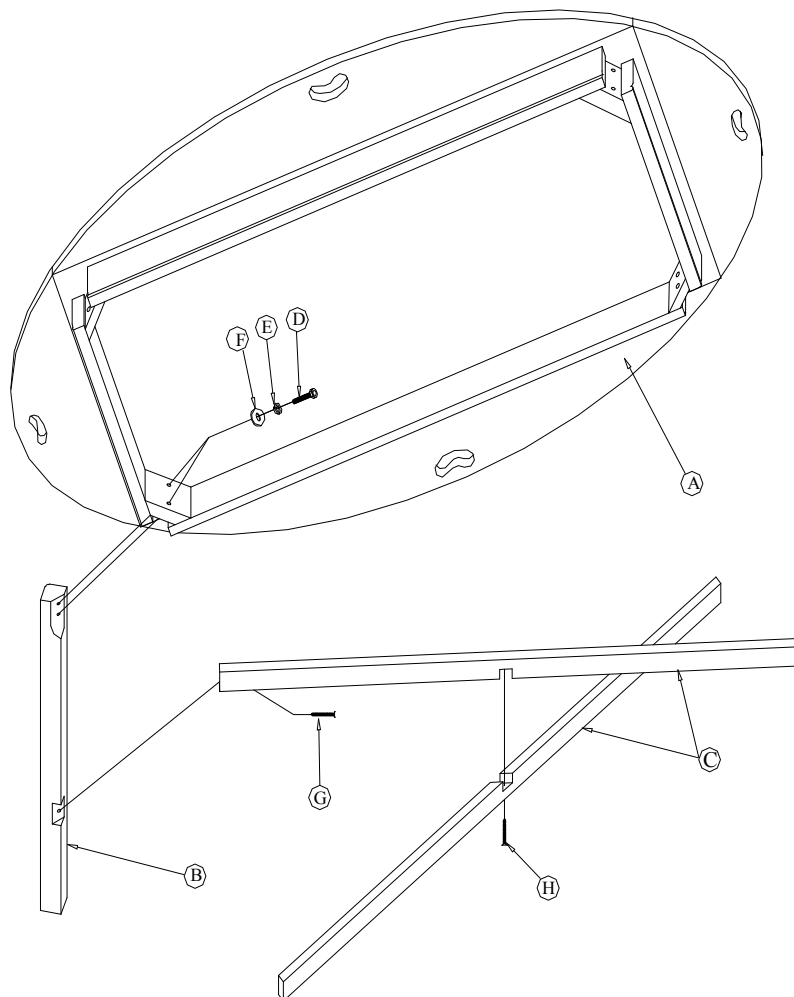
Use Bolt (D), Spring Washer (E), Flat Washer (F) to assemble the legs (B) to the Table Top (A) ◦

Step # 3 :

Cross the Stretchers (C) by joining the notches and secure with Wood Screw (H) to maintain an X shape ◦

Step # 4:

Assemble the jointed X stretchers (C) with Legs (B) and tighten with Wood Screws (G).



(*) Caution: DO NOT OVERTIGHTEN.

In any correspondence regarding this product, please include the complete Butler identification number located on the underside of the product.

We hope this Table will be a useful and decorative addition to your home for years to come.

Copyright © Butler Specialty Company, 04/08