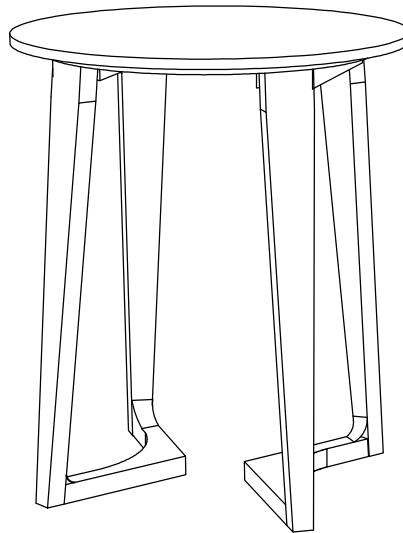


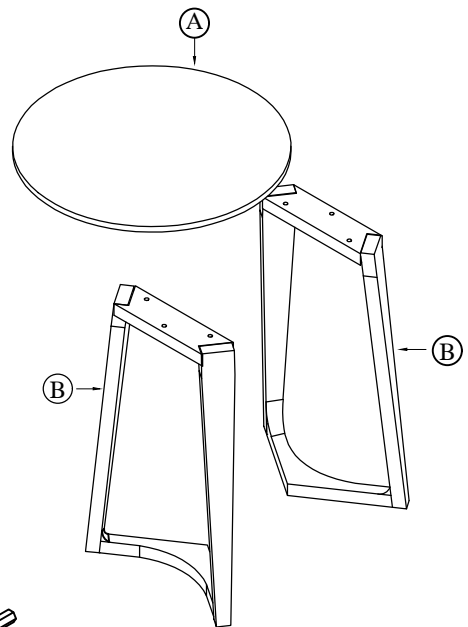
BUTLER

SPECIALTY COMPANY
8200 SOUTH CHICAGO AVE. CHICAGO, IL 60617

Assembly Instructions
2040140 / 2040288
ACCENT TABLE BUTLER LOFT- BROWN
ACCENT TABLE BUTLER LOFT- WHITE



ITEM	DESCRIPTION	QUANTITY
A	top	1
B	legs	2



hardware



H1 x 6
bolts M6 x 40mm



H2 x 6
flat washers



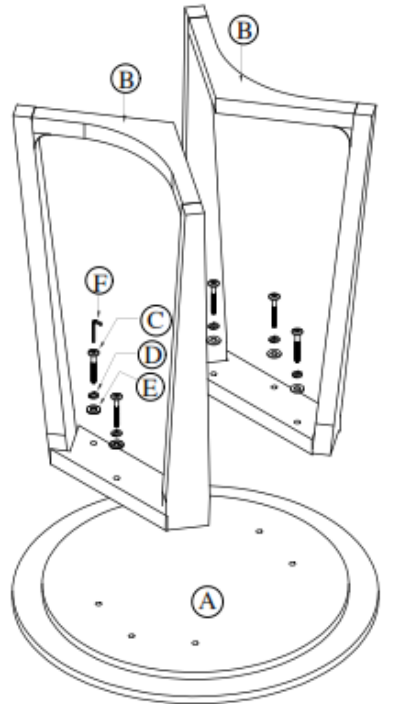
H3 x 6
spring washer



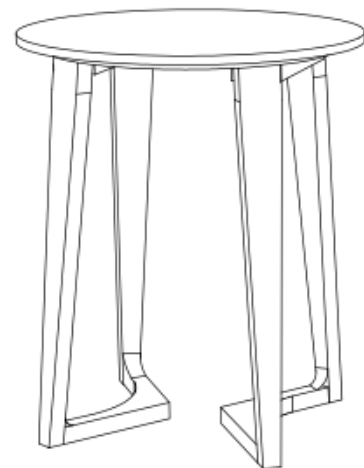
H3 x 1
hex key #4

step 1

Attach legs (B) to the top table (A), insert bolt (C), flat washer (E) and spring washer (D) to the pre-drilled holes and tighten the using the allen key (F).



Congratulation
Assembly complete, your Accent Table is ready to use.



(* Caution : DO NOT OVERTIGHTEN.

In any correspondence regarding this product, please include the complete Butler identification number located on the underside of the product.

We hope this product will be a useful and decorative addition to your home for years to come.

Copyright © Butler Specialty Company, 11 / 17