

BUTLER

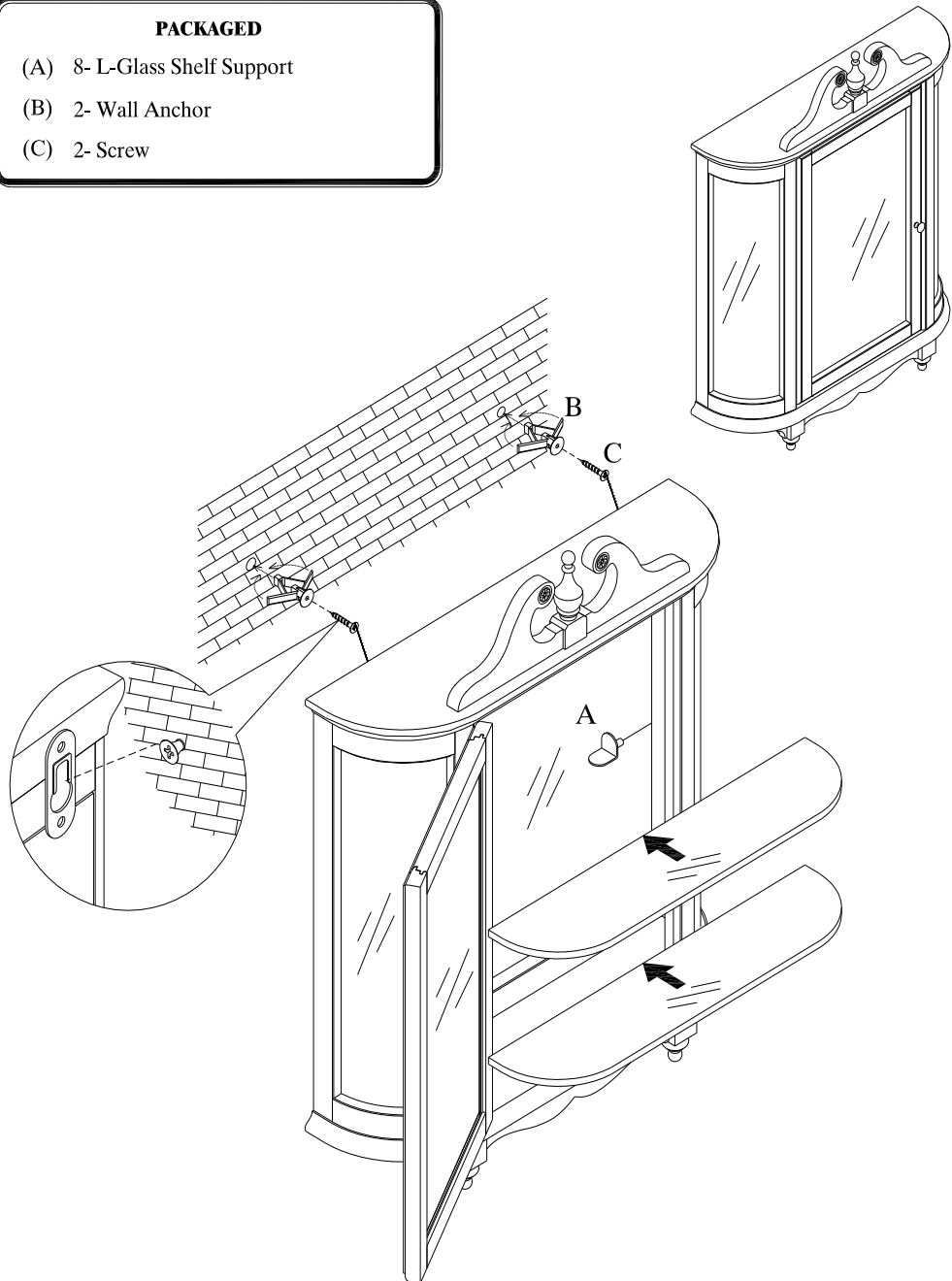
Assembly Instructions
Style Number 1927024

SPECIALTY COMPANY

8200 SOUTH CHICAGO AVE., CHICAGO, IL 60617

PACKAGED

- (A) 8- L-Glass Shelf Support
- (B) 2- Wall Anchor
- (C) 2- Screw



(*)Caution:DO NOT OVERTIGHTEN

In any correspondence regarding this product, please include the complete Butler identification number located on the underside of the product.

We hope this Wall Curior will be a useful and decorative addition to your home for years to come.

COPYRIGHT BUTLER SPECIALTY COMPANY, 04/07