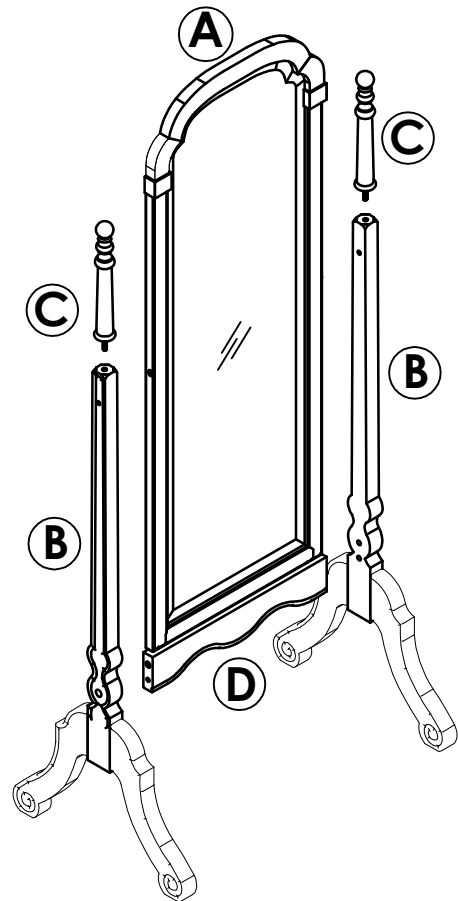
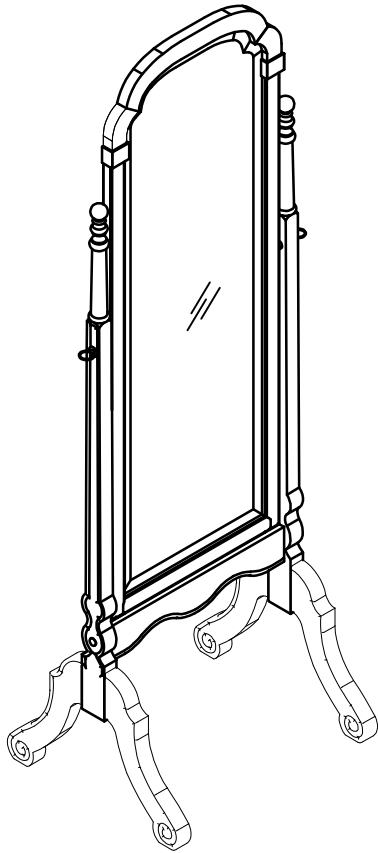


BUTLER

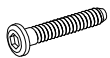
SPECIALTY COMPANY
8200 SOUTH CHICAGO AVE. CHICAGO, IL 60617

Assembly Instructions
1911024
Plantation Cherry Cheval



ITEM	DESCRIPTION	QUANTITY
A	Frame	1
B	Leg	2
C	Finial	2
D	Stretcher	1

hardware



H1 x 2
bolts m6 x 45 mm



H2 x 2
flat washers



H3 x 2
spring washers



H4 x 1
allen key #4



H5 x 2
plastic flat washers



H6 x 2
ring bolts m6 x 55



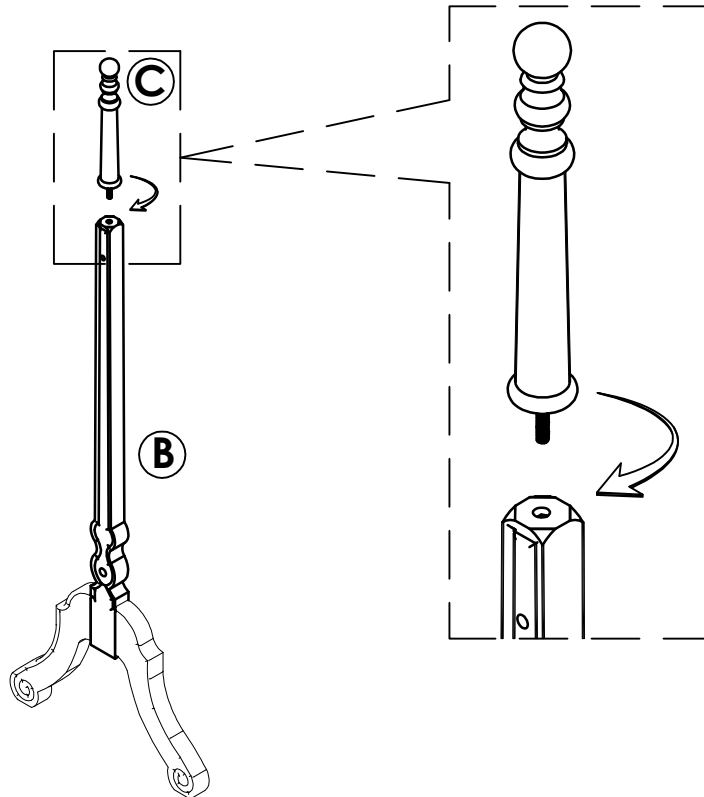
H7 x 2
Dowel m8 x 30



H8 x 2
Wood plug

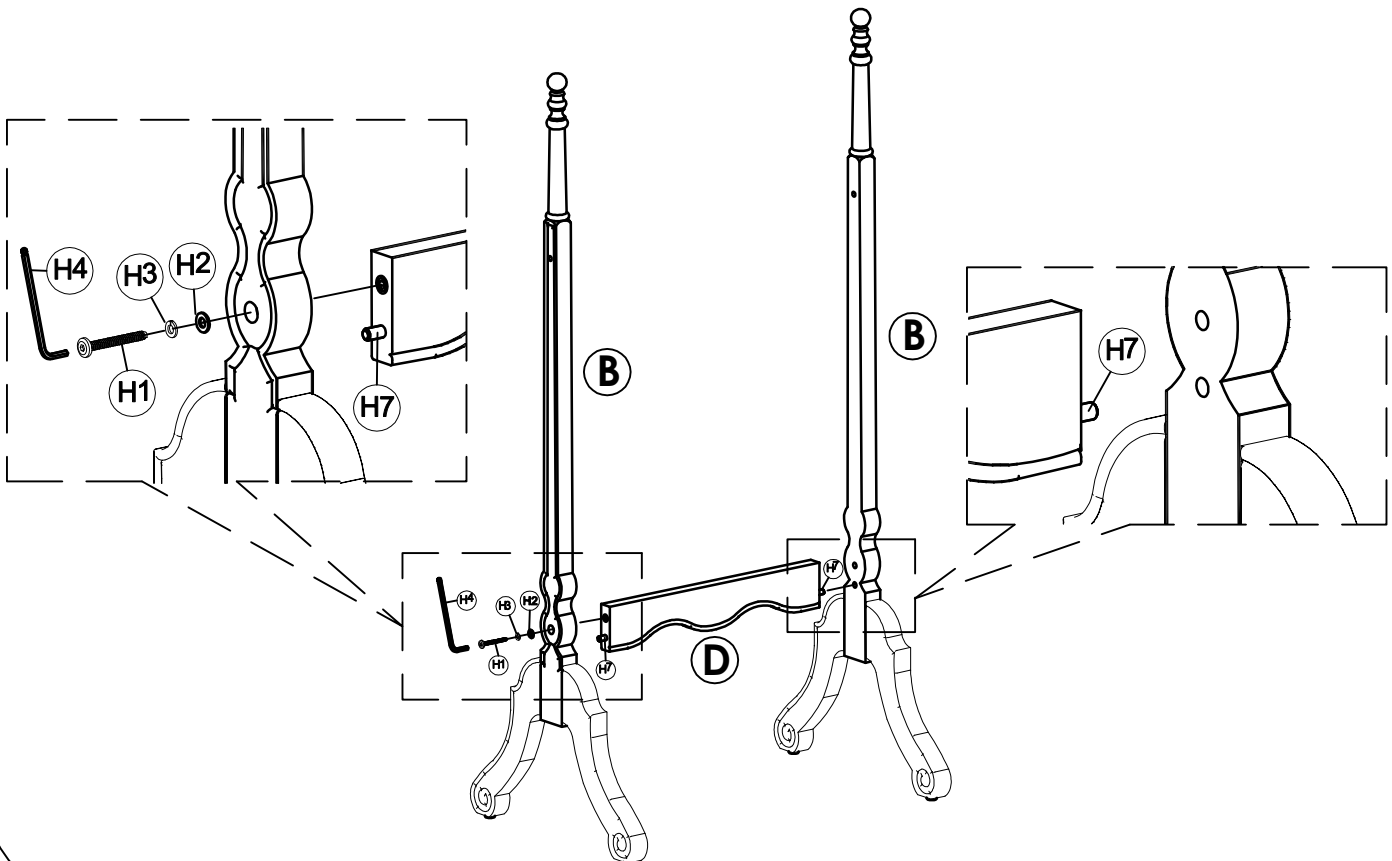
STEP 1

Attach Finial (C) to the Leg (B) by Turning Clockwise, so does the other Finial



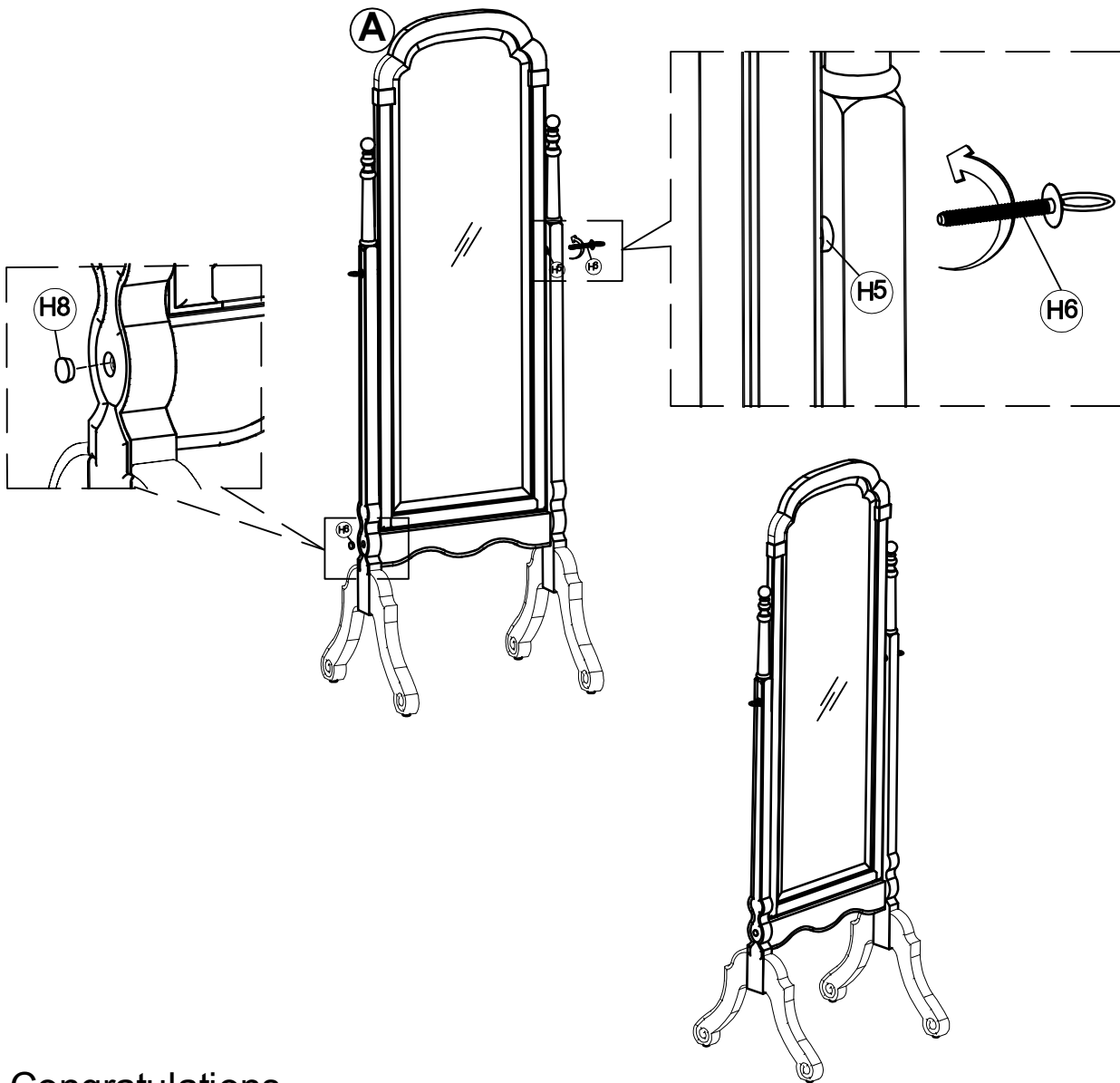
STEP 2

Insert Dowel (H7) to the bottom holes on the Stretcher (D) then line up and insert into corresponding bottom holes on the Leg (B). Secure the Leg (B) and the Stretcher (D) with bolts (H1), Flat Washers (H2) and Spring Washers (H3). Tighten the bolts (H1) with supplied Allen Key (H4)



STEP 3

Line up the holes on the side of frame (A) with Upper holes on the Leg (B) . Put the Plastic Flat Washer (H5) between holes on the Frame (A) and the Leg (B) . Secure the Frame (A) , Plastic Flat Washer (H5) and the Leg (B) with Ring Bolts (H6) . Turn the Ring Bolts (H6) clockwise to tighten. Repeat for the other side. Insert Wood plug (H8) to cover the Hole on the Leg (B)



Congratulations

Assembly complete, Your Plantation Cherry Cheval is ready to use

(*) Caution : DO NOT OVERTIGHTEN

In any correspondence regarding this product, please include the complete Butler identification number located on the underside of the product.

We hope this product will be a useful and decorative addition to your home for years to come

Copyright© Butler Specialty Company, 7 / 20