



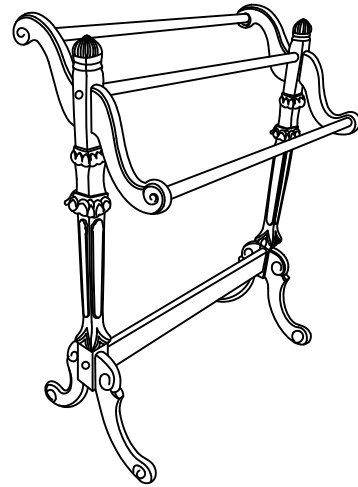
# BUTLER

Assembly Instructions  
Style Number 1910

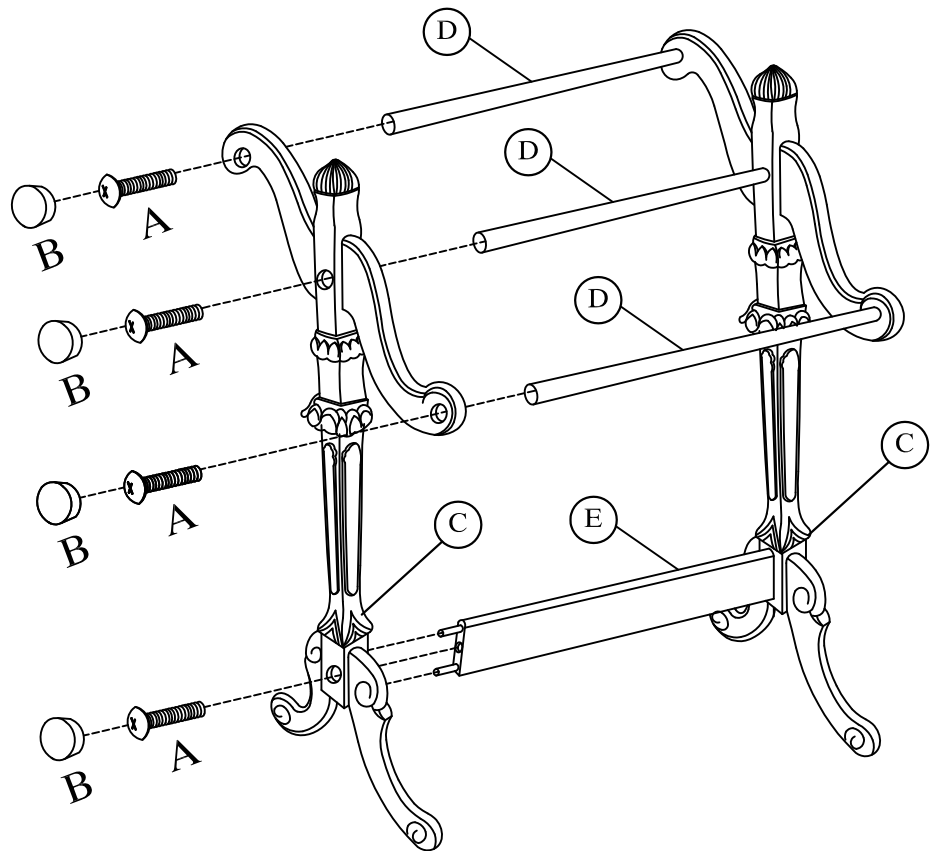
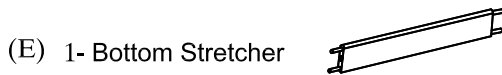
SPECIALTY COMPANY  
8200 SOUTH CHICAGO AVE., CHICAGO, IL 60617

## PACKAGED

- (A)  8-Bolts dia 1/4"\*1-1/2"L  
(B)  8- Wood Buttons



Read all instructions before starting assembly.



### (\*Caution:DO NOT OVERTIGHTEN

In any correspondence regarding this product, please include the complete Butler identification number located on the underside of the product.

*We hope this Blanket Stand will be a useful and decorative addition to your home for years to come.*

COPYRIGHT BUTLER SPECIALTY COMPANY, 10/2007