

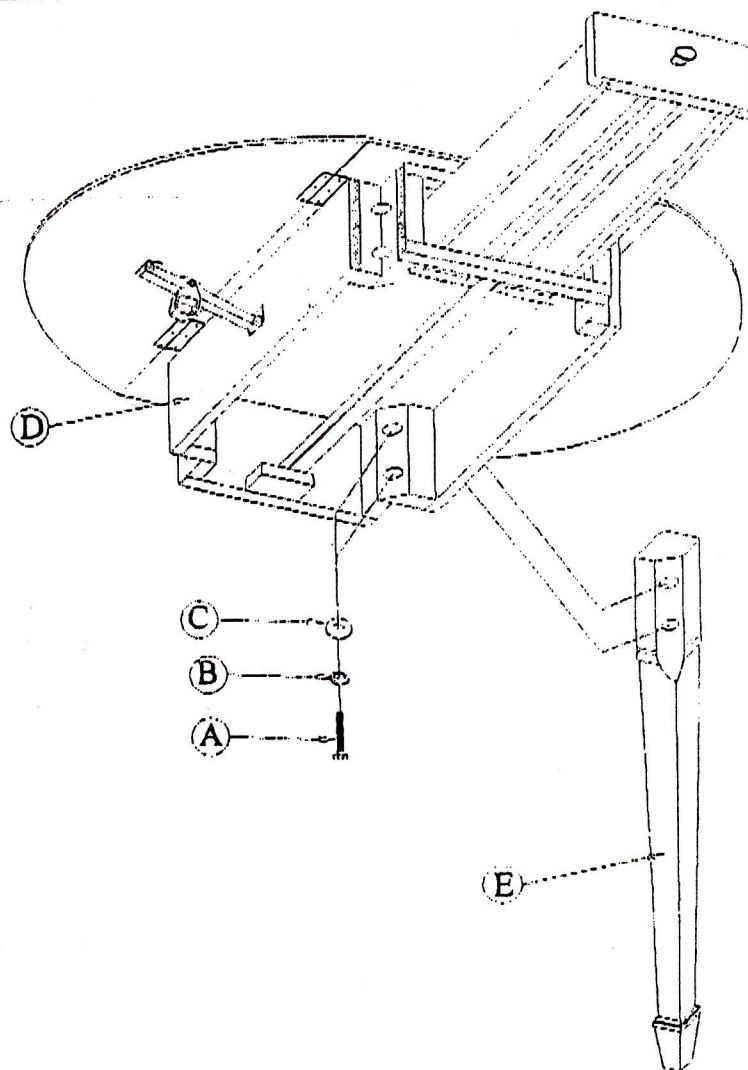
# BUTLER

Assembly Instructions  
Style Number 1576XXX

SPECIALTY COMPANY  
8200 SOUTH CHICAGO AVE., CHICAGO, IL 60617

## PACKAGED

- |   |                  |
|---|------------------|
| (A) 8 -Bolts $\varnothing 1/4 \times 2$ " | (D) 1 -Table Top |
| (B) 8 -Spring Washer                      | (E) 4 -Legs      |
| (C) 8 -Washer                             |                  |



(\* Caution: DO NOT OVERTIGHTEN.

In any correspondence regarding this product, please include the complete Butler identification number located on the underside of the product.

*We hope this Table will be a useful and decorative addition to your home for years to come.*

Copyright © Butler Specialty Company, 10/07