

BUTLER

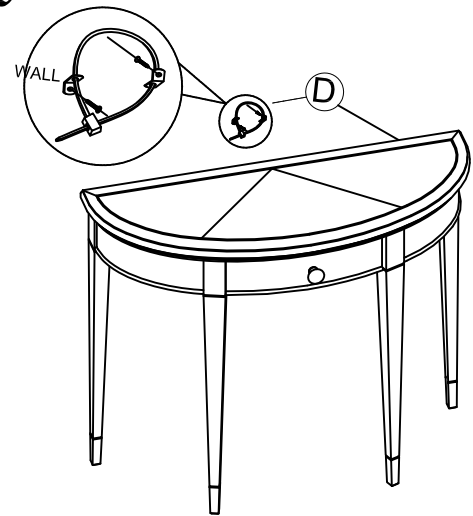
SPECIALTY COMPANY

8200 SOUTH CHICAGO AVE., CHICAGO, IL 60617

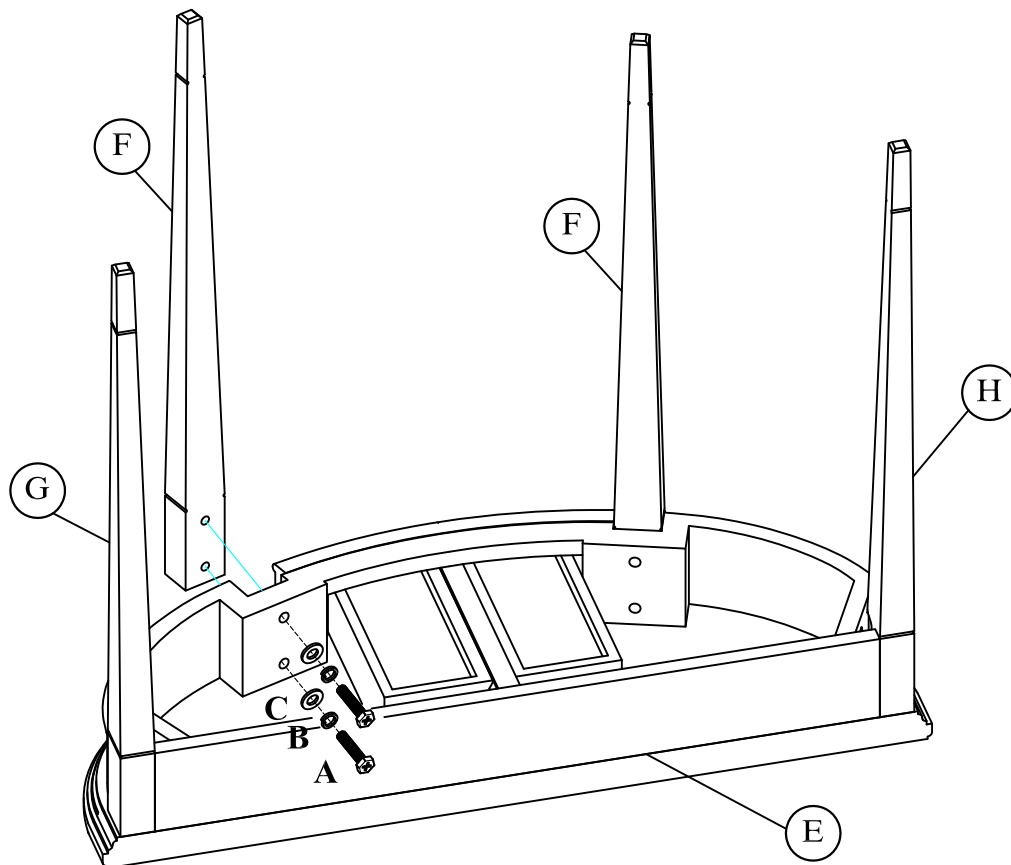
Assembly Instructions Style Number 1533

PACKAGED

- | | |
|---|-----------------------|
| (A) 8-Bolt $\frac{5}{16}$ "*2"L | (E) 1-Table Top |
| (B) 8-Lock Washer $\frac{5}{16}$ " | (F) 2- Front Legs |
| (C) 8-Flat Washer $\frac{5}{16}$ "*19mm | (G) 1- Left Back Leg |
| (D) 1set- Anti-tipping kit. | (H) 1- Right Back Leg |



Read all instructions before starting assembly.



(*Caution:DO NOT OVERTIGHTEN

In any correspondence regarding this product, please include the complete Butler identification number located on the underside of the product.

We hope this Demilune Console will be a useful and decorative addition to your home for years to come.

COPYRIGHT BUTLER SPECIALTY COMPANY, 04/07