

BUTLER

Assembly Instructions
Style Number 1510 090

SPECIALTY COMPANY

8200 SOUTH CHICAGO AVE. CHICAGO, IL 60617

PACKAGED

- | | |
|--------------|-------------------|
| (A) 1 - Top | (C) 1 - Stretcher |
| (B) 4 - Legs | (D) 4 - Bun foot |

Read all instructions before starting assembly.

Step #1 Assemble the table upside down on a flat, plain and soft surface.

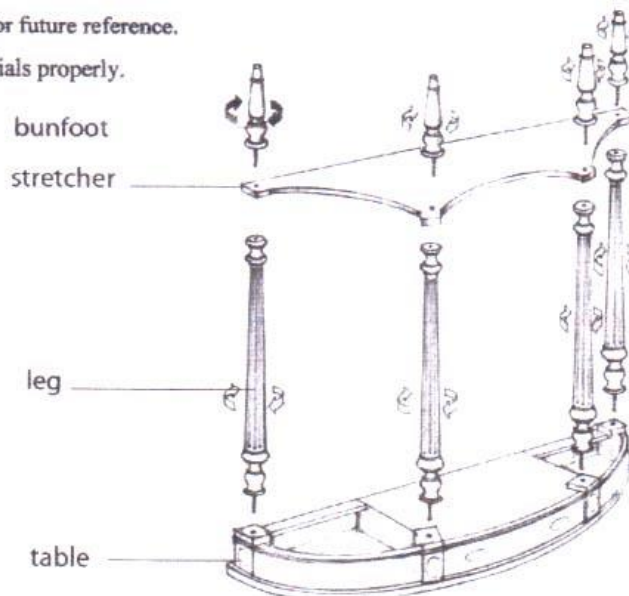
Step #2 Attach the leg #1 and turn to tighten.

Step #3 Align the holes on the stretcher to the leg and attach the bunfoot to lock the stretcher in place.

Step #4 Turn the table on its upright position.

Step #5 Keep this instruction for future reference.

Step #6 Dispose packing materials properly.



(* Caution: DO NOT OVERTIGHTEN.

In any correspondence regarding this product, please include the complete Butler identification number located on the underside of the product.

We hope this will be a useful and decorative addition to your home for years to come.

Copyright © Butler Specialty Company, 10/04