

BUTLER

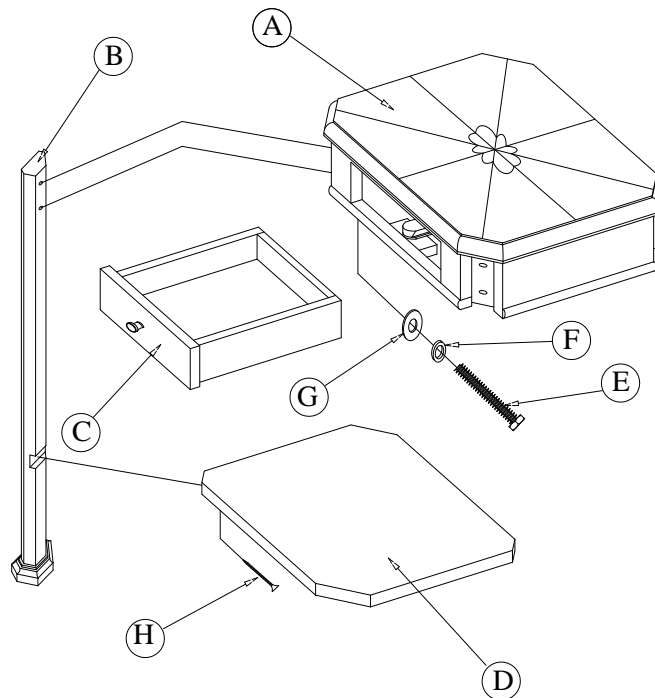
*Assembly Instructions
Style Number 1486*

SPECIALTY COMPANY

8200 SOUTH CHICAGO AVE., CHICAGO, IL 60617

PACKAGED

- | | |
|---------------|-------------------------|
| (A) 1 -Top | (E) 8 -Screw |
| (B) 4 -Legs | (F) 8 -Spring Washer |
| (C) 1 -Drawer | (G) 8 -Washer |
| (D) 1 -Shelf | (H) 4 -Long Wood Screws |



(* Caution: DO NOT OVERTIGHTEN.

In any correspondence regarding this product, please include the complete Butler identification number located on the underside of the product.

We hope this Accent Table will be a useful and decorative addition to your home for years to come.

Copyright © Butler Specialty Company, 04/07