

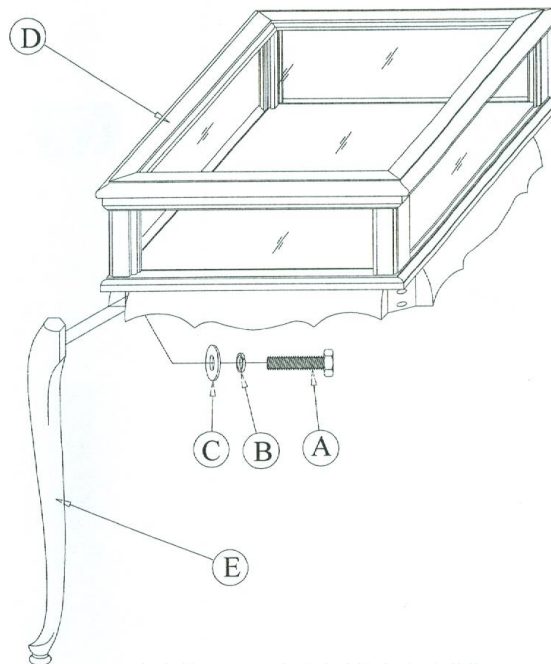
BUTLER

Assembly Instructions
Style Number 1484

SPECIALTY COMPANY
8200 SOUTH CHICAGO AVE., CHICAGO, IL 60617

PACKAGED

- | | |
|----------------------|------------------|
| (A) 8 -Screw | (D) 1 -Table Top |
| (B) 8 -Spring Washed | (E) 4 -Legs |
| (C) 8 -Washed | |



(* Caution: DO NOT OVERTIGHTEN.

For any correspondence regarding this product, please include the complete Butler identification number located on the underside of the product.

We hope this Curio Table will be a useful and decorative addition to your home for years to come.

Copyright © Butler Specialty Company, 04/07