

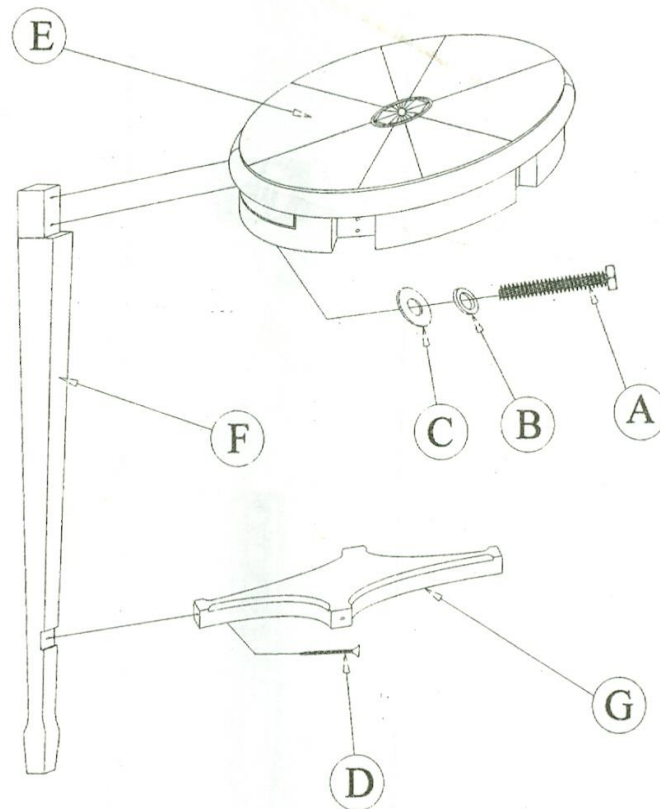
BUTLER

Assembly Instructions
Style Number 1483

SPECIALTY COMPANY
8200 SOUTH CHICAGO AVE., CHICAGO, IL 60617

PACKAGED

- | | |
|----------------------|--------------|
| (A) 8 -Screw | (E) 1 -Top |
| (B) 8 -Spring Washer | (F) 4 -Legs |
| (C) 8 -Washer | (G) 1 -Shelf |
| (D) 4 -Screw | |



(* Caution: DO NOT OVERTIGHTEN.

In any correspondence regarding this product, please include the complete Butler identification number located on the underside of the product.

We hope this will be a useful and decorative addition to your home for years to come.

Copyright © Butler Specialty Company, 10/04