

BUTLER

Assembly Instructions Style Number 999

SPECIALTY COMPANY

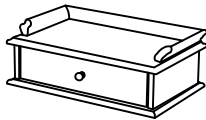
8200 SOUTH CHICAGO AVE., CHICAGO, IL 60617

PACKAGED

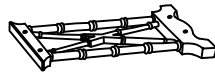
- (A) 8- Bolt □ 1/4"*1-3/4"
- (B) 8- Lock Washer □ 1/4"
- (C) 8- Flat Washer □ 1/4"*Dia16mm

Read all instructions before starting assembly.

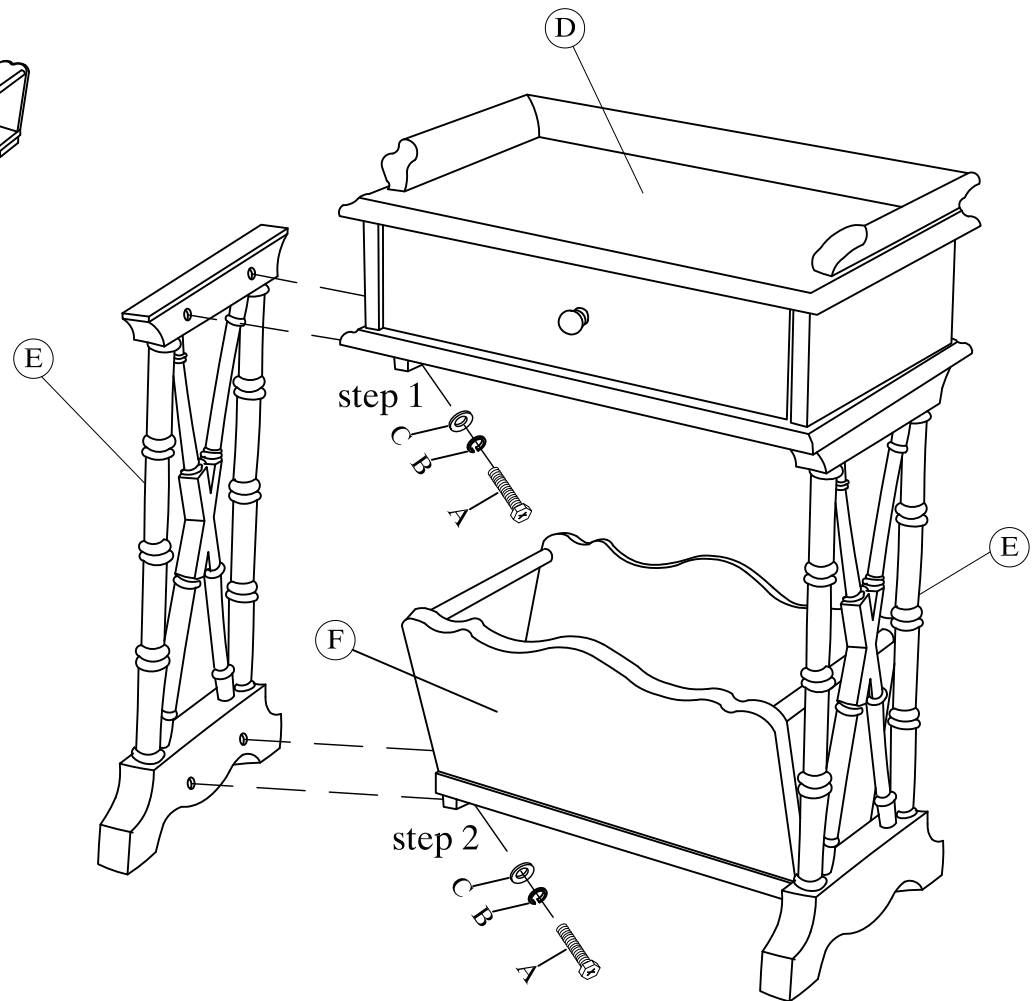
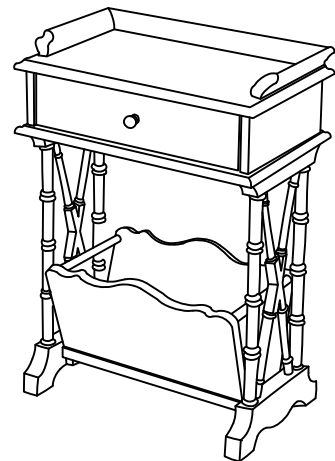
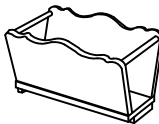
(D) 1-Top



(E) 2-Side Legs



(F) 1-Base



(*Caution:DO NOT OVERTIGHTEN

In any correspondence regarding this product, please include the complete Butler identification number located on the underside of the product.

We hope this Martini Table will be a useful and decorative addition to your home for years to come.

Copyright © Butler Specialty Company, 10/08