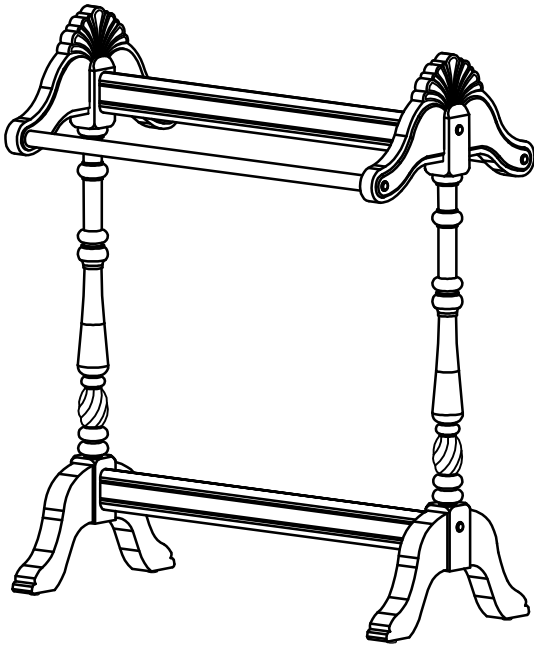


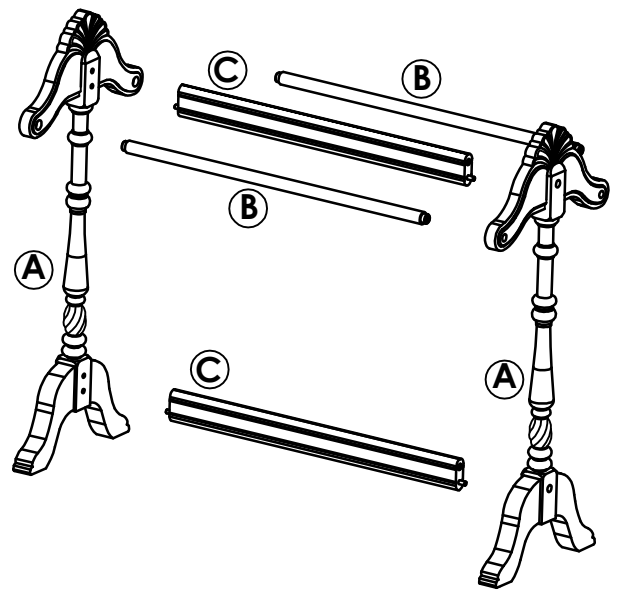
BUTLER

SPECIALTY COMPANY
8200 SOUTH CHICAGO AVE. CHICAGO, IL 60617

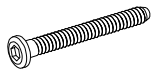
Assembly Instructions
0991024
Blanket Rack Plantation



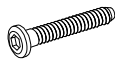
ITEM	DESCRIPTION	QUANTITY
A	Leg	2
B	Round Stretcher	2
C	Stretcher	2



hardware



H1 x 4
bolts m6 x 70mm



H2 x 4
bolts m6 x 40mm



H3 x 8
flat washers Ø13



H4 x 8
spring washers Ø13



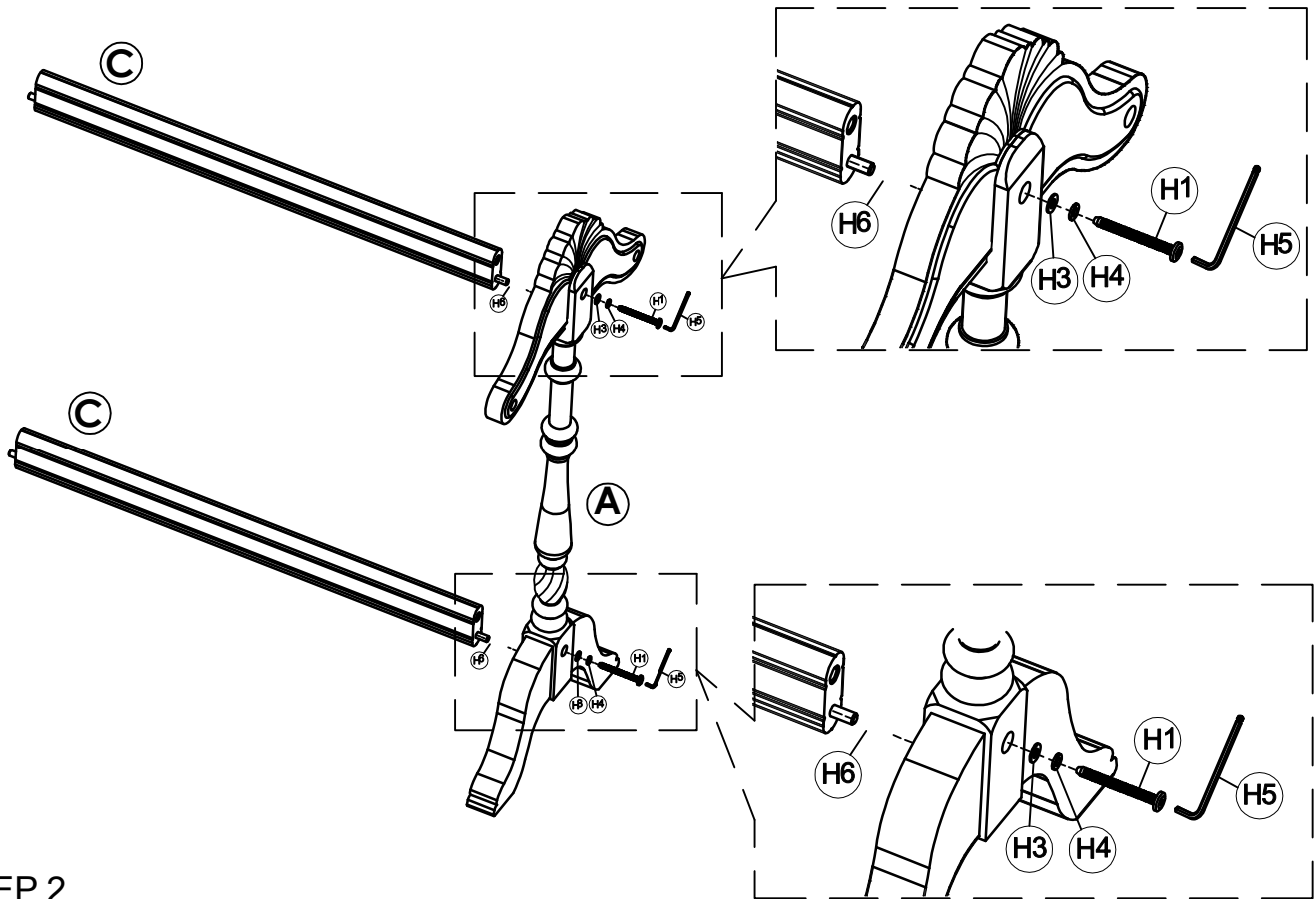
H5 x 1
Allen key #4



H6 x 8
Wood Plug

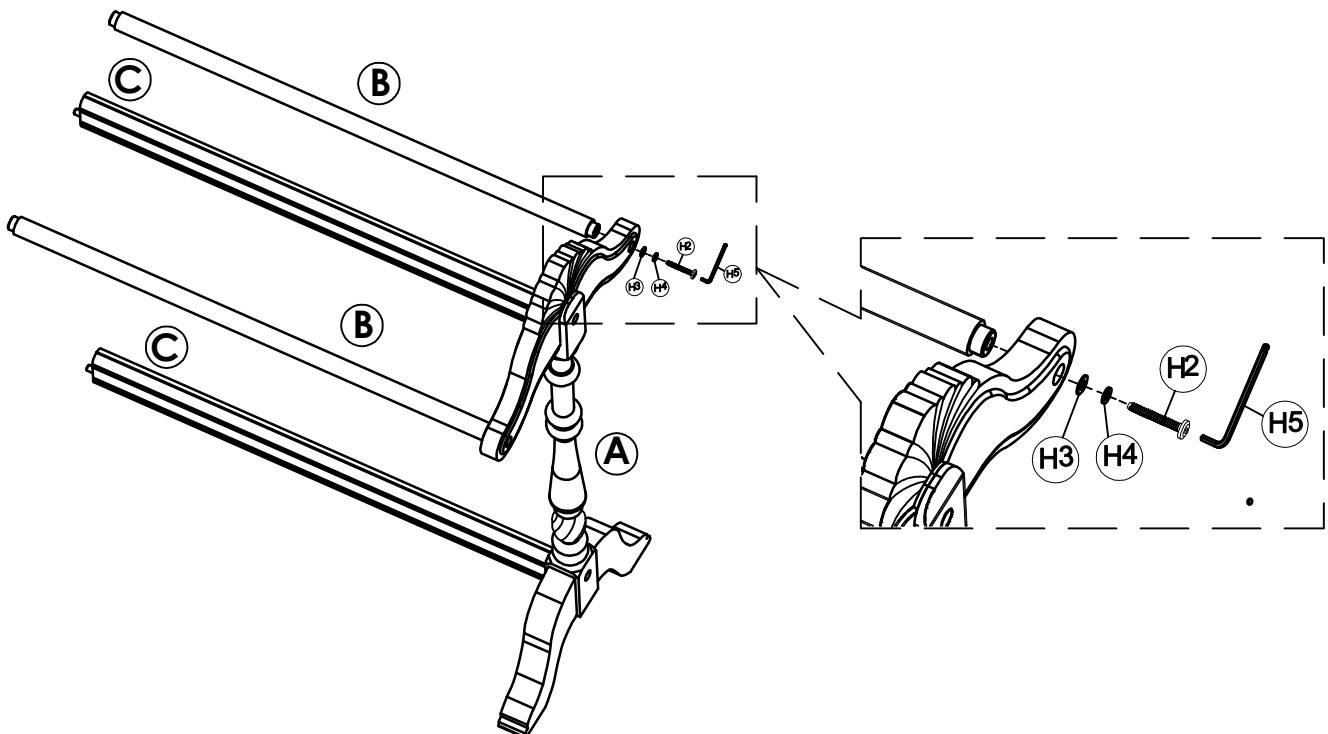
STEP 1

Attach the Stretcher (C) by lining up and insert dowel into corresponding holes on the Leg (A). Secure the Leg (A) and the Stretcher (C) with bolts (H1), Flat Washers (H3) and Spring Washers (H4). Tighten the bolts (H1) with supplied Allen Key (H5)



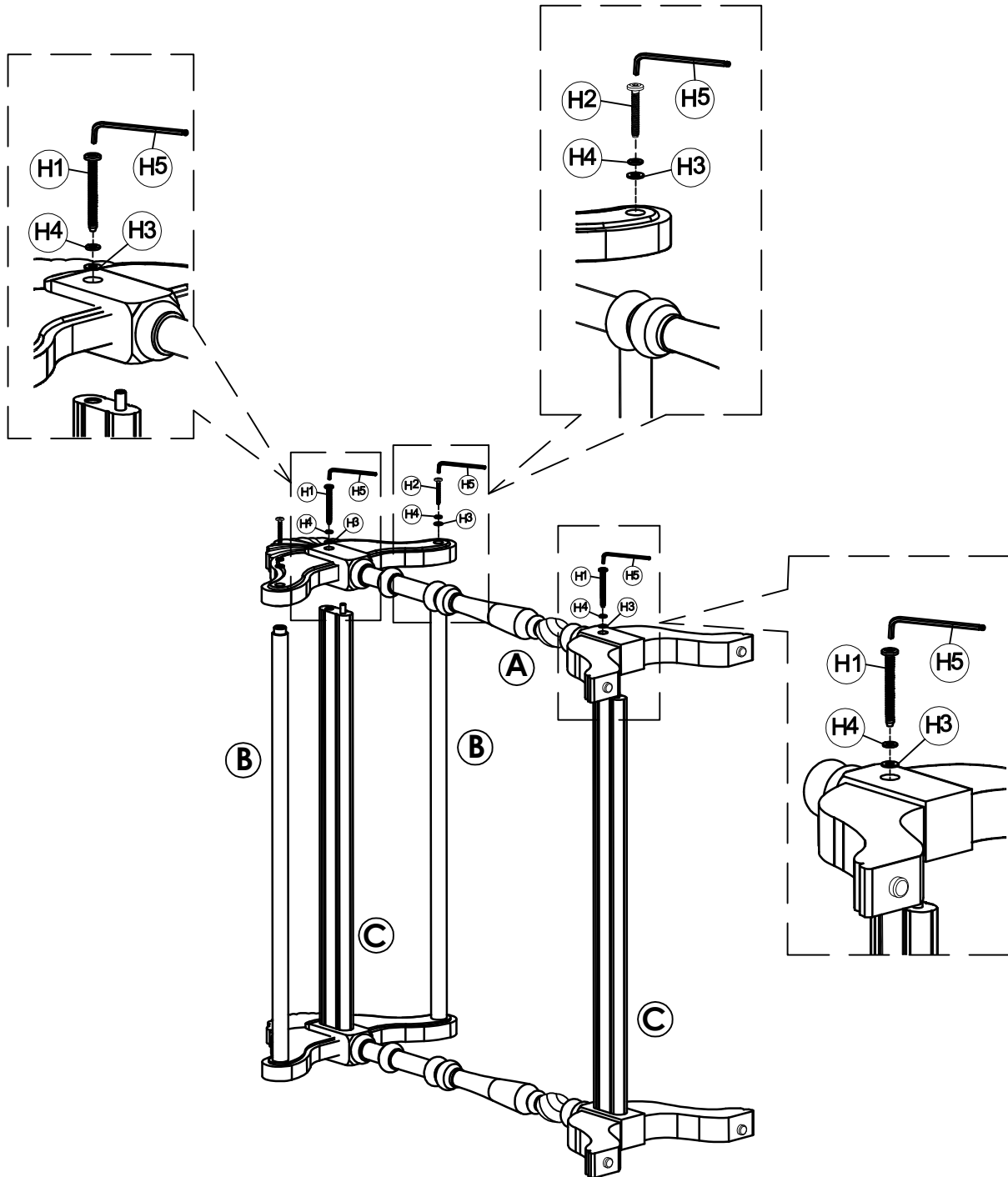
STEP 2

Attach Round Stretcher (B) to the Leg (A). Secure the Leg (A) and the Round Stretcher (B) with bolts (H2), Flat Washers (H3) and Spring Washers (H4). Tighten the bolts (H2) with supplied Allen Key (H5)



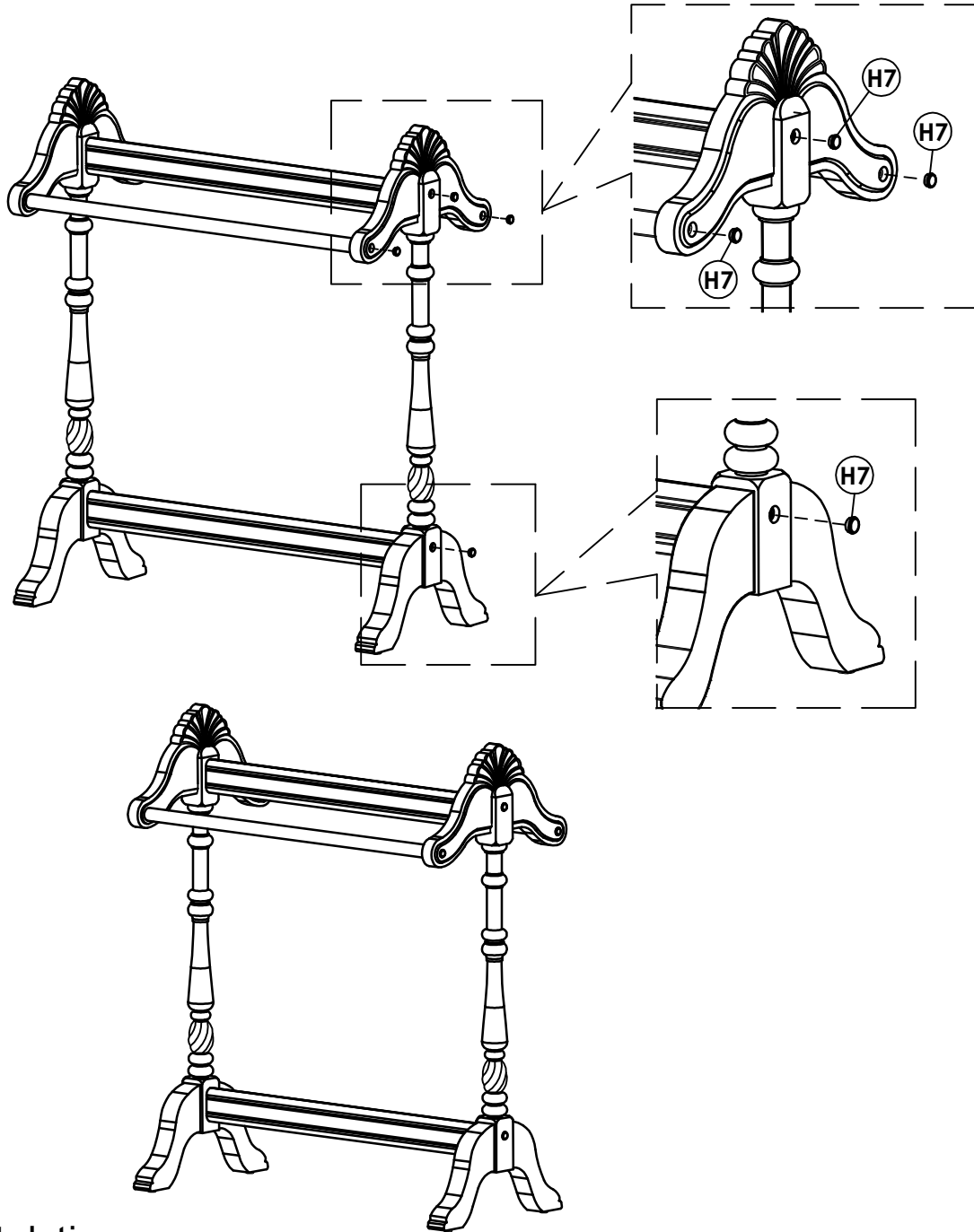
STEP 3

Attach Leg (B) to the Stretcher (C) and Round Stretcher (B) by lines up dowel on Stretcher (C) into corresponding holes on Leg (A) . Secure the Leg (B) and Stretcher (C) with bolts (H1) , Flat Washers (H3) and Spring Washers (H4) , Then Secure the Leg (B) and Round Stretcher (B) with Bolts (H2) , Flat Washer (H3) and Spring washer (H4) . Tighten the bolts (H1) & (H2) with supplied Allen Key (H5) .



STEP 4

Insert Wood Plug (H6) to cover the holes on Leg (A) .



Congratulations

Assembly complete, Your Blanket Rack Plantation is ready to use

(*) Caution : DO NOT OVERTIGHTEN

In any correspondence regarding this product, please include the complete Butler identification number located on the underside of the product.

We hope this product will be a useful and decorative addition to your home for years to come

Copyright© Butler Specialty Company, 12 / 20