

BUTLER

SPECIALTY COMPANY

8200 SOUTH CHICAGO AVE., CHICAGO, IL 60617

Assembly Instructions
Style Number 900

PACKAGED

- (A) 5- Bolt □ 1/4"*2"
- (B) 5- Lock Washer □ 1/4"
- (C) 5- Flat Washer □ 1/4"*Dia16mm
- (D) 6- Wood Screws

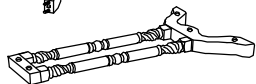


Read all instructions before starting assembly.

(E) 1- Hat Rack



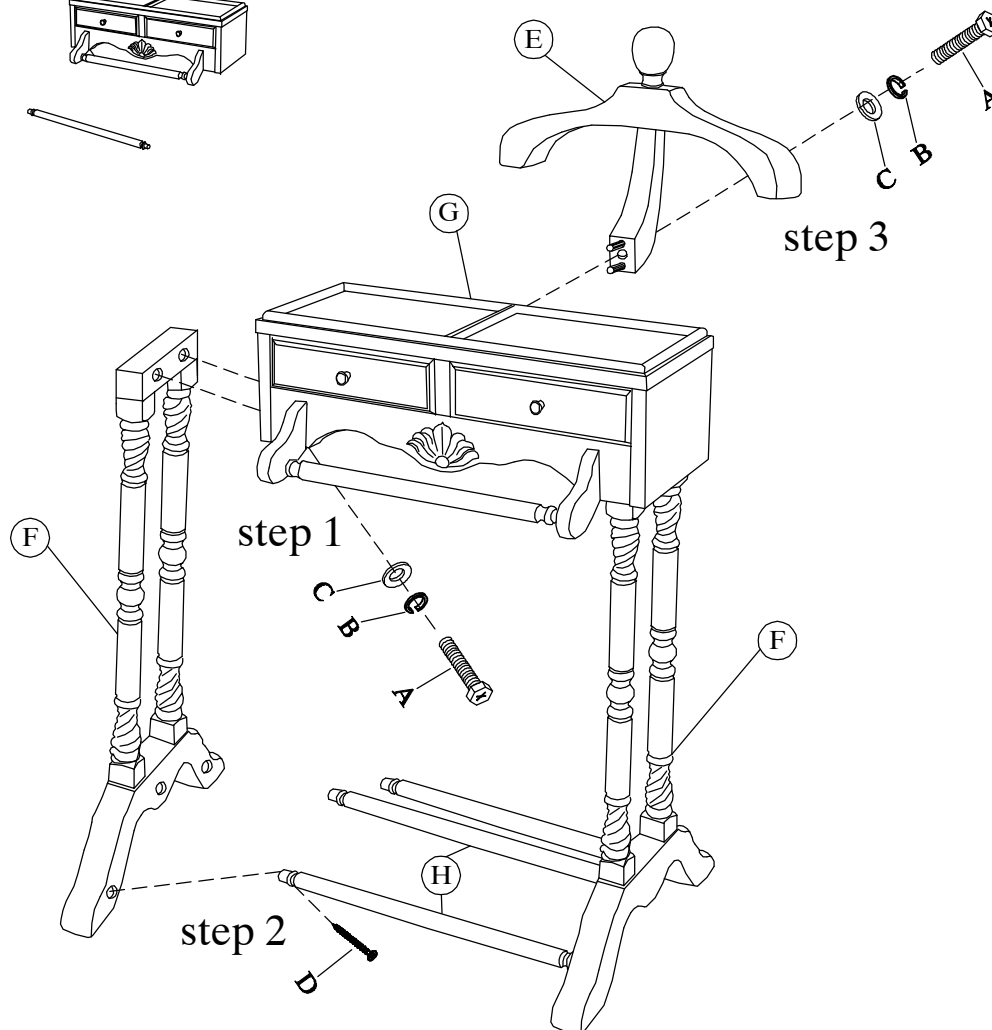
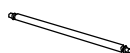
(F) 2- Side Legs



(G) 1- Top



(H) 3- Rails



(*)Caution:DO NOT OVERTIGHTEN

In any correspondence regarding this product, please include the complete Butler identification number located on the underside of the product.

We hope this Valet will be a useful and decorative addition to your home for years to come.

Copyright © Butler Specialty Company, 10/08