

# BUTLER

Assembly Instructions  
Style Number 0553070

SPECIALTY COMPANY  
8200 SOUTH CHICAGO AVE. CHICAGO, IL 60617

## PACKAGED

- |                           |                            |
|---------------------------|----------------------------|
| (A) 1-Trunk Table         | (D) 8-Short Machine Screws |
| (B) 4-Carved Feet         | (E) 12-Flat Washers        |
| (C) 4-Long Machine Screws |                            |

### Read all instructions before starting assembly.

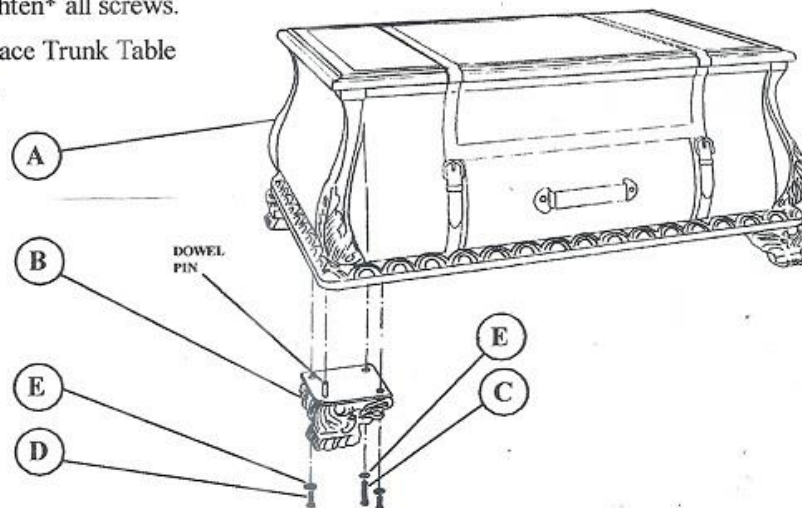
**Step #1** Remove all the contents from the package checking that all of the components listed in "Packaged" are included. Prepare a flat, protected work surface where the product can be assembled.

**Step #2** Carefully turn Trunk Table (A) upside down on to protected work surface (Caution: item is heavy, two people required). Do not allow drawer to roll out.

**Step #3** Carved Feet (B) are pre-fitted and letter-marked. Place into matching positions and align dowel pin of each foot into each corresponding corner hole. Attach one Flat Washer (E) onto one Long Machine Screw (C). Push screw thru inside corner hole into threaded insert and loosely tighten. Repeat procedure for remaining Long Machine Screws (C).

**Step #4** Attach one Flat Washer (E) onto each remaining Short Machine Screw (D). Push screw thru holes located on the outside corners of each Foot into matching threaded inserts. After all screws are in position, securely tighten\* all screws.

**Step #5** Carefully place Trunk Table into upright position.



(\* Caution: DO NOT OVERTIGHTEN.

In any correspondence regarding this product, please include the complete Butler identification number located on the underside of the product.

*We hope this Trunk Table will be a useful and decorative addition to your home for years to come.*

Copyright © Butler Specialty Company, 05/00