

BUTLER

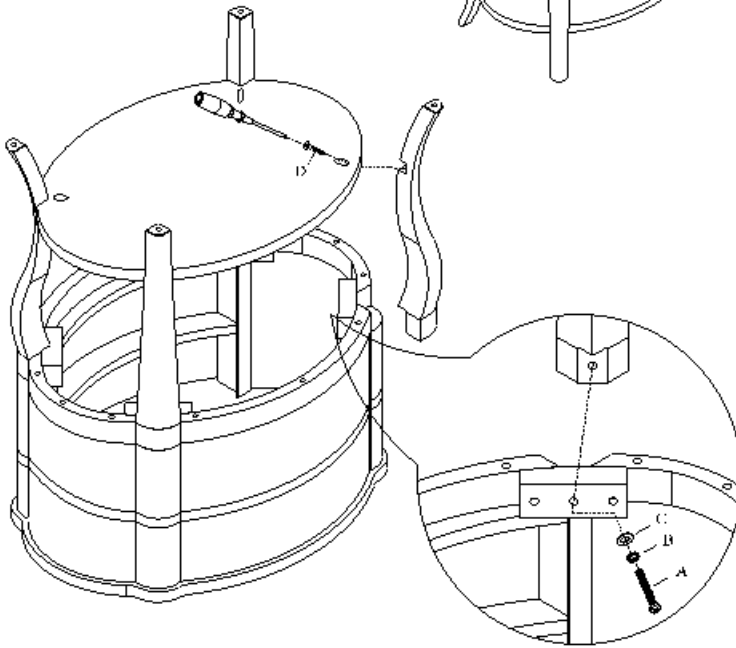
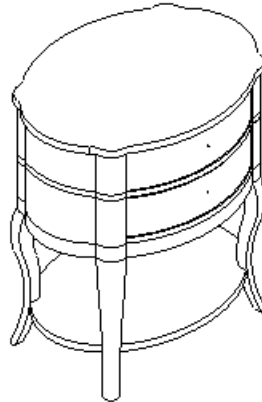
SPECIALTY COMPANY

8200 SOUTH CHICAGO AVE., CHICAGO, IL 60617

PACKAGED

- | | | |
|-----|---------------|-------------------------|
| (A) | 4 Bolt | diam 1/4" x 2" |
| (B) | 4 Lock Washer | diam 1/4" |
| (C) | 4 Flat Washer | diam 1/4" x 1/8" x 1/8" |
| (D) | 4 Long Screw | #8" 1-1/2" |

Assembly Instructions
Style Number 0515



(*)Caution:DO NOT OVERTIGHTEN

In any correspondence regarding this product, please include the complete Butler identification number located on the underside of the product.

We hope this Oval side table will be a useful and decorative addition to your home for years to come.

COPYRIGHT © BUTLER SPECIALTY COMPANY, 10/04