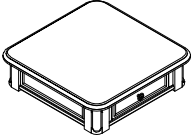
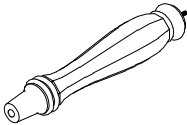



ASSEMBLY INSTRUCTIONS

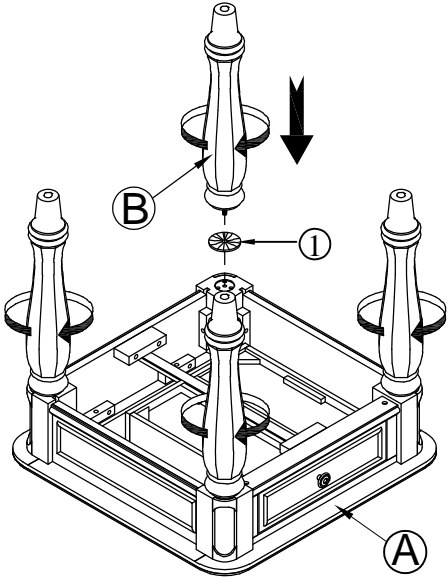
MODEL # : 8918-002 LINDEN END TABLE (V#12600TNWC1)

NOTE: THIS ITEM NOT RECOMMENDED FOR COMMERCIAL USE
 KEEP THIS DOCUMENT FOR REFERENCE IN CASE PARTS ARE NEEDED
 DO NOT TIGHTEN SCREWS UNTIL COMPLETELY ASSEMBLED!!

No	PARTS LIST		Q'TY
A		TABLE TOP	1PC
B		LEG	4PCS

NO.	HARDWARE LIST		Q'TY
1		PLASTIC SPACER	4PCS

STEP 1



COMPLETED

