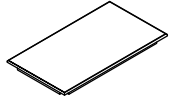
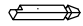



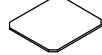
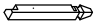




ASSEMBLY INSTRUCTIONS

MODEL # : 8911-011 BRENTON 3 PACK OCCASIONAL (V#12600TNWC1)

NOTE: THIS ITEM NOT RECOMMENDED FOR COMMERCIAL USE
KEEP THIS DOCUMENT FOR REFERENCE IN CASE PARTS ARE NEEDED
 DO NOT TIGHTEN SCREWS UNTIL COMPLETELY ASSEMBLED!!

No	PARTS LIST		Q'TY
A		COFFEE TABLE TOP	1PC
B		COFFEE TABLE - LEGS	4PCS
C		COFFEE TABLE - ARCH STRETCHERS (LONG)	2PCS
D		COFFEE TABLE - ARCH STRETCHERS (SHORT)	2PCS

E		END TABLE TOP	2PCS
F		END TABLE - SHELF	2PCS
G		END TABLE - LEGS	8PCS
H		END TABLE - ARCH STRETCHERS (LONG)	4PCS
I		END TABLE - ARCH STRETCHERS (SHORT)	4PCS

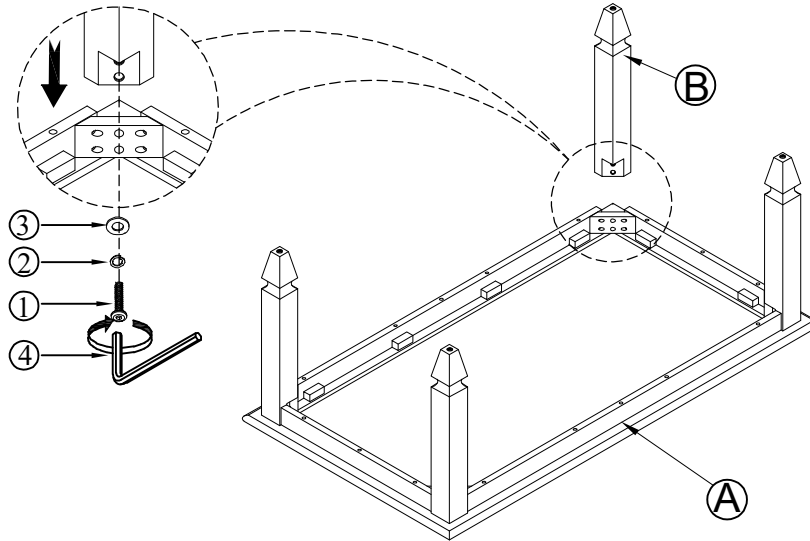
NO.	HARDWARE LIST		Q'TY	
1		ALLEN BOLT	Ø5/16" x 2-3/8"	24PCS
2		LOCK WASHER	Ø5/16" x 12D x 2mm	24PCS
3		FLAT WASHER	Ø5/16" x 19Dmm	24PCS
4		ALLEN KEY	4mm	1PC
5		SCREWS	#3.5 x 15mm	64PCS
6		METAL BRACKET	N/A	32PCS

ASSEMBLY INSTRUCTIONS

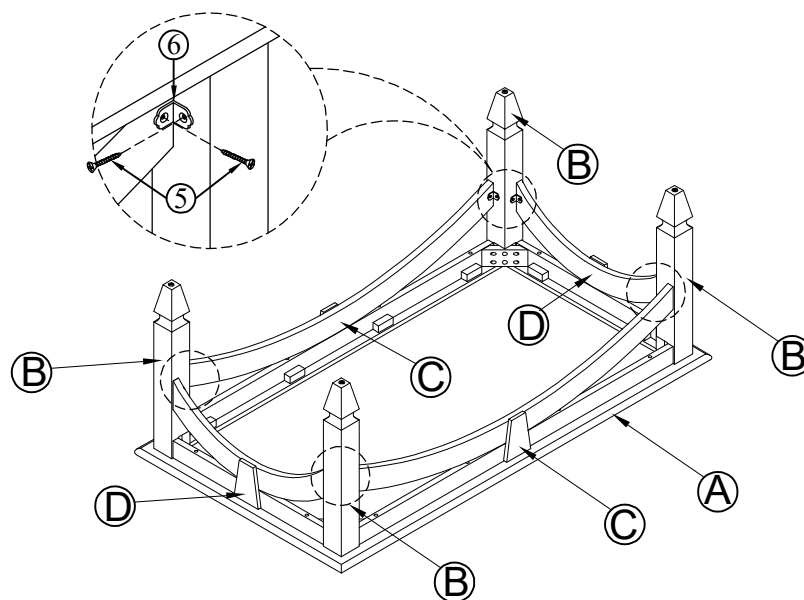
MODEL # : 8911-011 BRENTON 3 PACK OCCASIONAL (V#12600TNWC1)

NOTE: THIS ITEM NOT RECOMMENDED FOR COMMERCIAL USE
KEEP THIS DOCUMENT FOR REFERENCE IN CASE PARTS ARE NEEDED
DO NOT TIGHTEN SCREWS UNTIL COMPLETELY ASSEMBLED!!

STEP 1



STEP 2



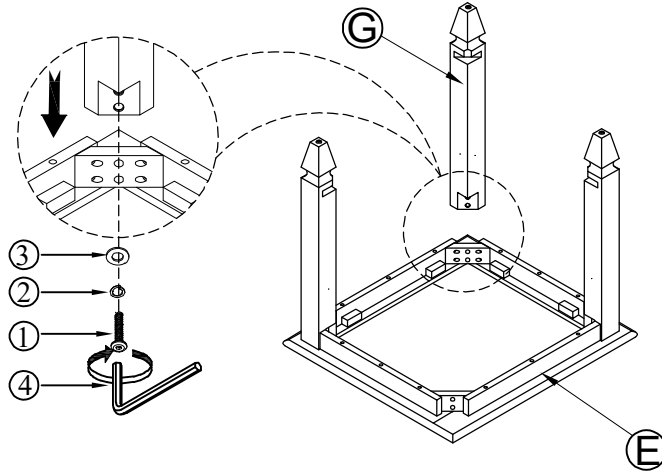
*PRE-DRILLED HOLE POSITION TO ATTACH METAL CONNECTING PLATE

ASSEMBLY INSTRUCTIONS

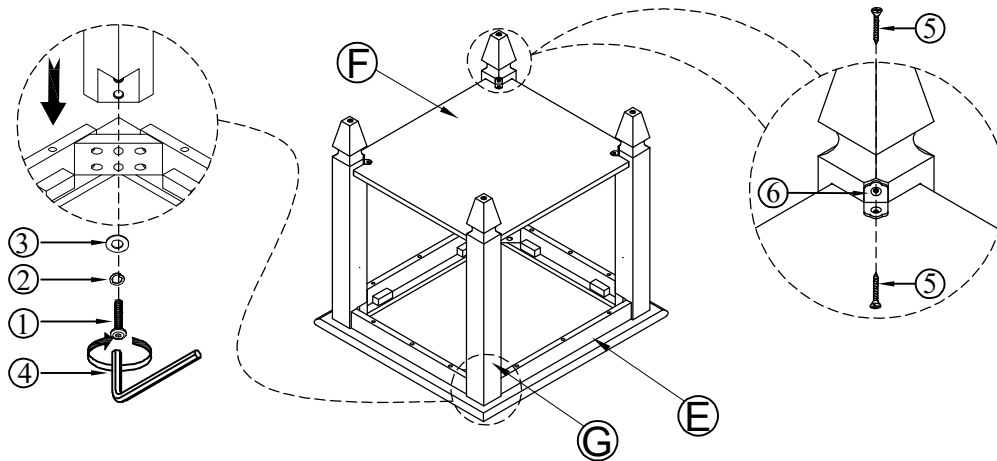
MODEL # : 8911-011 BRENTON 3 PACK OCCASIONAL (V#12600TNWC1)

NOTE: THIS ITEM NOT RECOMMENDED FOR COMMERCIAL USE
KEEP THIS DOCUMENT FOR REFERENCE IN CASE PARTS ARE NEEDED
DO NOT TIGHTEN SCREWS UNTIL COMPLETELY ASSEMBLED!!

STEP 3

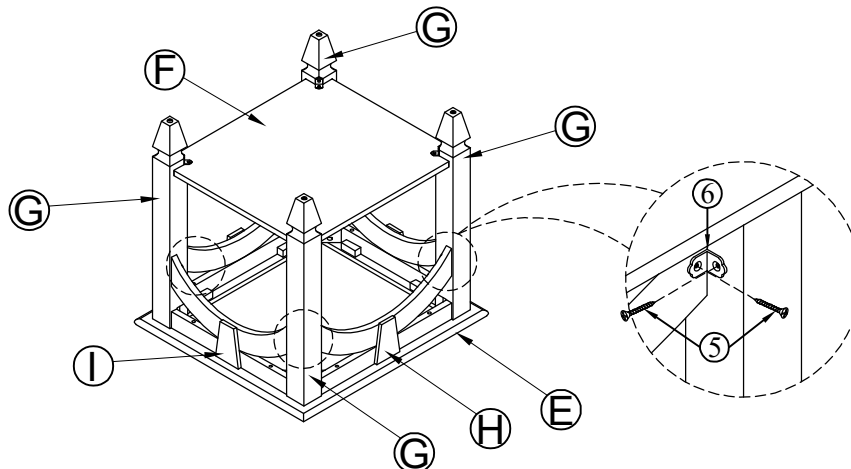


STEP 4



*PRE-DRILLED HOLE POSITION TO ATTACH METAL CONNECTING PLATE

STEP 5



*PRE-DRILLED HOLE POSITION TO ATTACH METAL CONNECTING PLATE

ASSEMBLY INSTRUCTIONS

MODEL # : 8911-011 BRENTON 3 PACK OCCASIONAL (V#12600TNWC1)

NOTE: THIS ITEM NOT RECOMMENDED FOR COMMERCIAL USE
KEEP THIS DOCUMENT FOR REFERENCE IN CASE PARTS ARE NEEDED
DO NOT TIGHTEN SCREWS UNTIL COMPLETELY ASSEMBLED!!

COMPLETED

