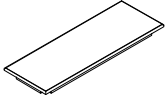


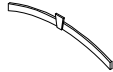



ASSEMBLY INSTRUCTIONS

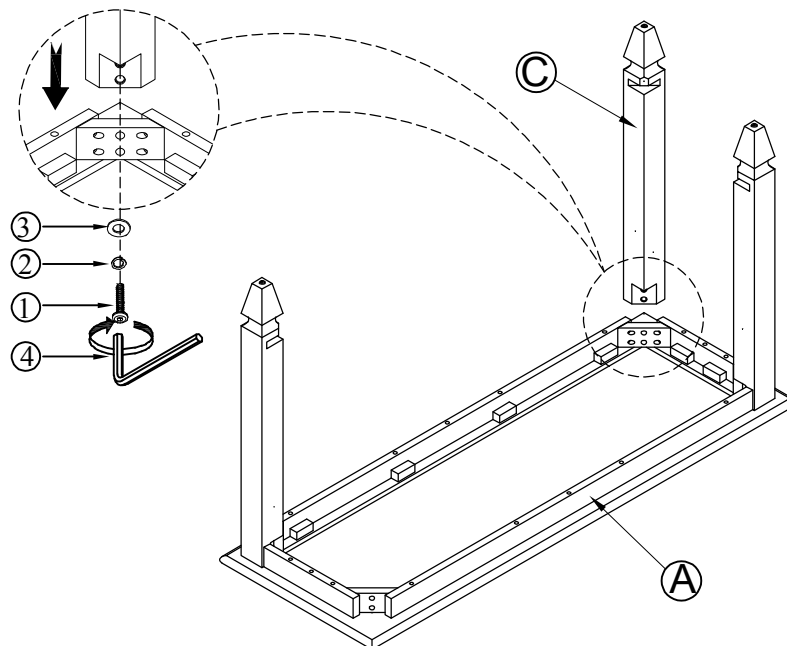
MODEL # : 8911-004 BRENTON SOFA TABLE (V#12600TNWC1)

NOTE: THIS ITEM NOT RECOMMENDED FOR COMMERCIAL USE
KEEP THIS DOCUMENT FOR REFERENCE IN CASE PARTS ARE NEEDED
 DO NOT TIGHTEN SCREWS UNTIL COMPLETELY ASSEMBLED!!

No	PARTS LIST		Q'TY
A		TABLE TOP	1PC
B		SHELF	1PC
C		LEGS (L & R)	4PCS
D		ARCH STRETCHER (LONG)	2PCS
E		ARCH STRETCHER (SHORT)	2PCS

NO.	HARDWARE LIST			Q'TY
1		ALLEN BOLT	Ø5/16" x 2-3/8"	8PCS
2		LOCK WASHER	Ø5/16" x 12D x 2mm	8PCS
3		FLAT WASHER	Ø5/16" x 19Dmm	8PCS
4		ALLEN KEY	4mm	1PC
5		SCREWS	#3.5 x 15mm	24PCS
6		METAL BRACKET	N/A	12PCS

STEP 1

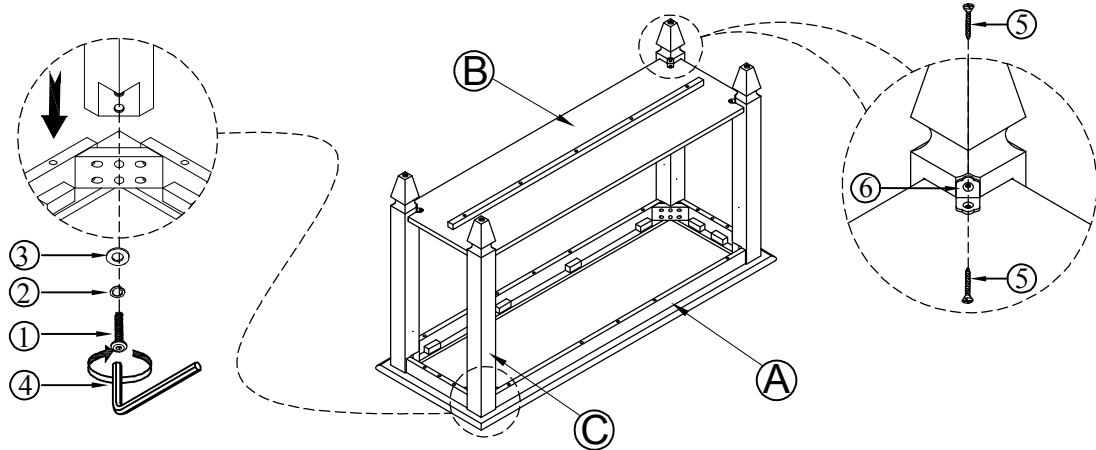


ASSEMBLY INSTRUCTIONS

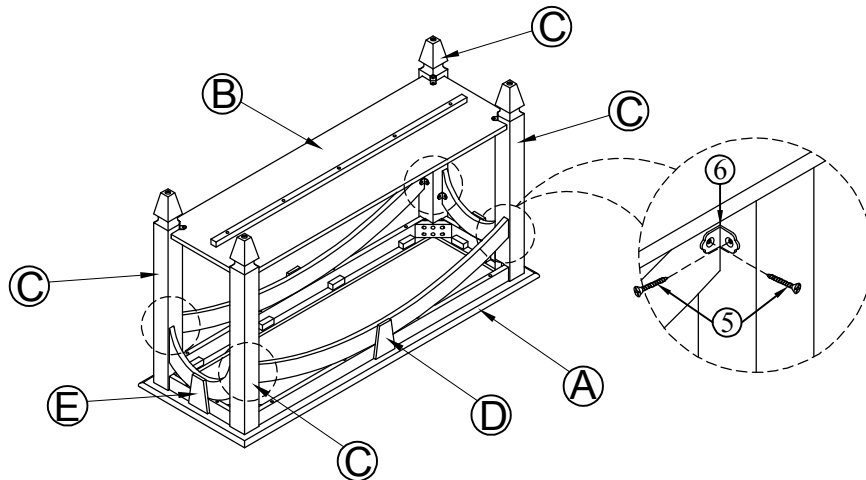
MODEL # : 8911-004 BRENTON SOFA TABLE (V#12600TNWC1)

NOTE: THIS ITEM NOT RECOMMENDED FOR COMMERCIAL USE
KEEP THIS DOCUMENT FOR REFERENCE IN CASE PARTS ARE NEEDED
DO NOT TIGHTEN SCREWS UNTIL COMPLETELY ASSEMBLED!!

STEP 2



STEP 3



COMPLETED

*PRE-DRILLED HOLE POSITION TO ATTACH METAL CONNECTING PLATE

