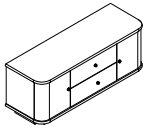

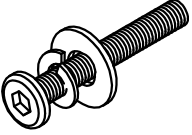



ASSEMBLY INSTRUCTIONS

MODEL#: 8540-524 DORVAL SERVER V#12600PHMA

**NOTE: THIS ITEM NOT RECOMMENDED FOR COMMERCIAL USE
KEEP THIS DOCUMENT FOR REFERENCE IN CASE PARTS ARE NEEDED
DO NOT TIGHTEN SCREWS UNTIL COMPLETELY ASSEMBLED! !**

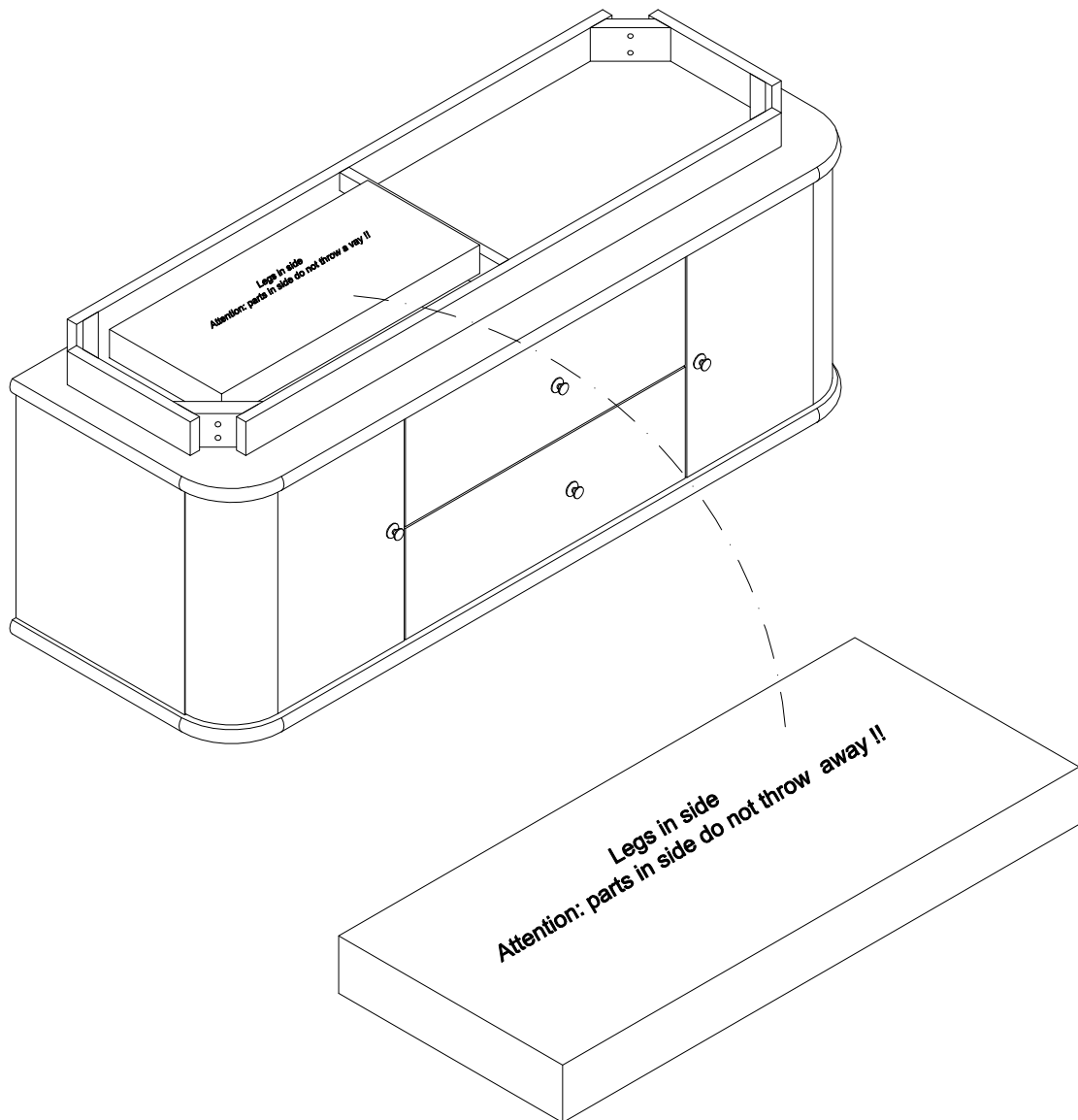
NO	PARTS LIST		Q'TY
A		Cabinet	1 PC
B		LEGS	4 PCS

NO	HARDWARE LIST		Q'TY	
1		Long Bolt	Ø5/16"x2-3/4"	8 PCS
		Lock Washer	Ø5/16"	8 PCS
		Flat Washer	Ø5/16"x19Dx1.5mm	8 PCS
2		Allen Wrench	3"x4mm	1 PC

ASSEMBLY INSTRUCTIONS

MODEL#: 8540-524 DORVAL SERVER V#12600PHMA

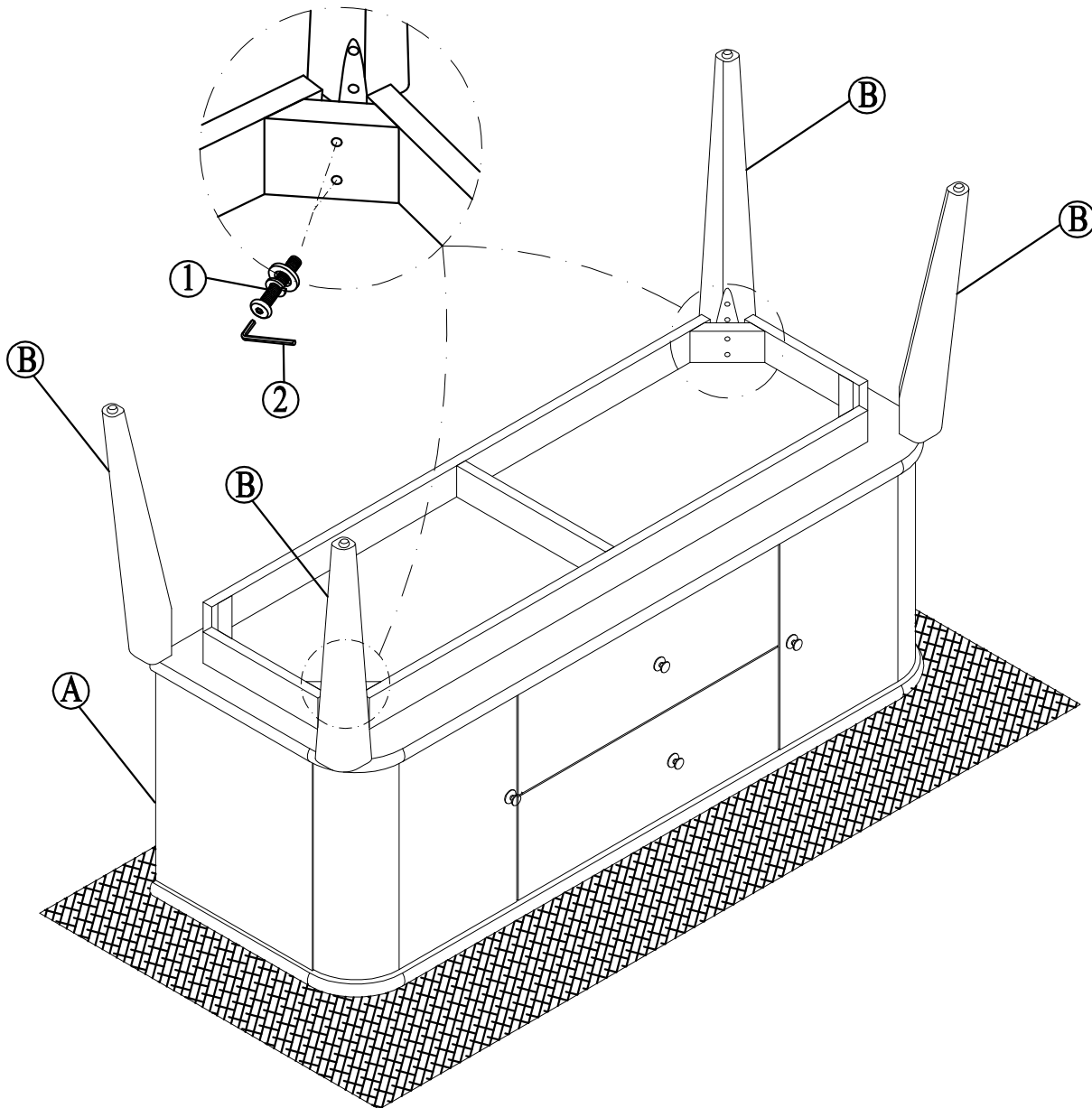
NOTE: THIS ITEM NOT RECOMMENDED FOR COMMERCIAL USE
KEEP THIS DOCUMENT FOR REFERENCE IN CASE PARTS ARE NEEDED
DO NOT TIGHTEN SCREWS UNTIL COMPLETELY ASSEMBLED! !



ASSEMBLY INSTRUCTIONS

MODEL#: 8540-524 DORVAL SERVER V#12600PHMA

**NOTE: THIS ITEM NOT RECOMMENDED FOR COMMERCIAL USE
KEEP THIS DOCUMENT FOR REFERENCE IN CASE PARTS ARE NEEDED
DO NOT TIGHTEN SCREWS UNTIL COMPLETELY ASSEMBLED! !**



Soft objects shall be padded under the cabinet to prevent hard objects from scratching the surface paint

ASSEMBLY INSTRUCTIONS

MODEL#: 8540-524 DORVAL SERVER V#12600PHMA

**NOTE: THIS ITEM NOT RECOMMENDED FOR COMMERCIAL USE
KEEP THIS DOCUMENT FOR REFERENCE IN CASE PARTS ARE NEEDED
DO NOT TIGHTEN SCREWS UNTIL COMPLETELY ASSEMBLED! !**

Assembly Completed

