

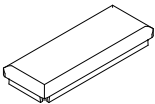
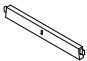
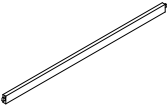


ASSEMBLY INSTRUCTIONS



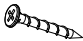

MODEL#: 8540-519 42" BACKLESS BENCH V#12600PHMA

**NOTE: THIS ITEM NOT RECOMMENDED FOR COMMERCIAL USE
KEEP THIS DOCUMENT FOR REFERENCE IN CASE PARTS ARE NEEDED
DO NOT TIGHTEN SCREWS UNTIL COMPLETELY ASSEMBLED! !**

Care Instructions:

Please wipe clean using a non-abrasive mild soap and warm water

NO.	PART LIST		Q'TY
A		Seat	1 pc
B		Short Stretcher	2 pcs
C		Support	1 pc
D		Leg Left	1 pc
E		Leg Right	1 pc

NO.	HARDWARE LIST			Q'TY
1		Long Bolt	Ø5/16"x3-1/8"	8 PCS
		Lock Washer	Ø5/16"	8 PCS
		Flat Washer	Ø5/16"x19Dx1.5mm	8 PCS
2		Screws	#8x1-3/4"	4 PCS
3		Screws	#8x1-1/2"	2 PCS
4		Allen Wrench	3"x4mm	1 PC

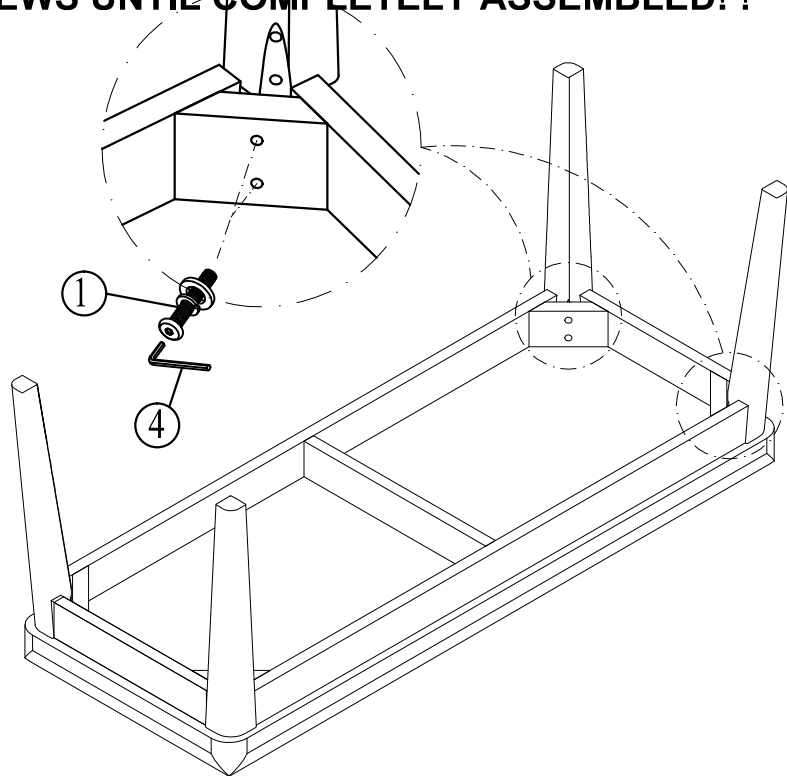
ASSEMBLY INSTRUCTIONS

MODEL#: 8540-519 BACKLESS BENCH V#12600PHMA

**NOTE: THIS ITEM NOT RECOMMENDED FOR COMMERCIAL USE
KEEP THIS DOCUMENT FOR REFERENCE IN CASE PARTS ARE NEEDED
DO NOT TIGHTEN SCREWS UNTIL COMPLETELY ASSEMBLED!!**

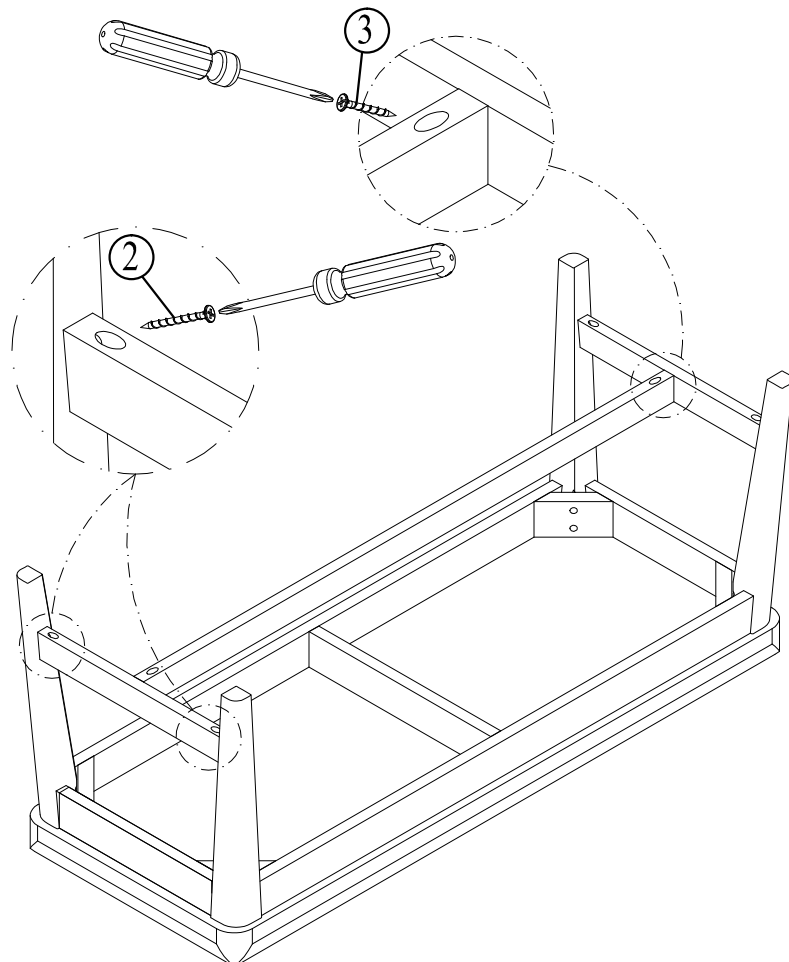
STEP 1

Do not tighten
the screw



STEP 2

Insert the cross bar when the
screw is not tightened



ASSEMBLY INSTRUCTIONS

MODEL#: 8540-519 BACKLESS BENCH V#12600PHMA

**NOTE: THIS ITEM NOT RECOMMENDED FOR COMMERCIAL USE
KEEP THIS DOCUMENT FOR REFERENCE IN CASE PARTS ARE NEEDED
DO NOT TIGHTEN SCREWS UNTIL COMPLETELY ASSEMBLED!!**

Assembly Completed

