

ASSEMBLY INSTRUCTIONS

MODEL#:7123 PAYSON TAUPE KITCHEN CART(V#12600BHTW1)


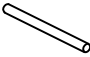
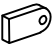






MODEL#:7126 PAYSON RED KITCHEN CART(V#12600BHTW1)

NOTE:THIS ITEM NOT RECOMMENDED FOR COMMERCIAL
USE KEEP THIS DOCUMENT FOR REFERENCE IN CASE PARTS ARE NEEDED
DO NOT TIGHTEN SCREWS UNTIL COMPLETELY ASSEMBLED!!

Thank you for your purchase of Bernard's Payson Kitchen Cart. Please keep in mind the purpose of this item is decorative and the top is not intended for the following, but not limited to: Cutting directly on the surface, Hot or cold items placed directly on, Acidic items including Vinegar or Lemon Juice on the surface.

Care Instructions:

Please wipe clean using a non-abrasive mild soap and warm water.






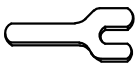


NO		PARTS LIST	Q'TY
A		TOP	1pc
B		CROSS BAR	1pc
C		BAR SUPPORT	2pcs
D		WOOD PLUG	2pcs
E		MIDDLE SHELF	1pc
F		BOTTOM SHELF	1pc
G		LEG	4pcs
H		WHEEL	2pcs
I		BRAKES WHEEL	2pcs

ASSEMBLY INSTRUCTIONS

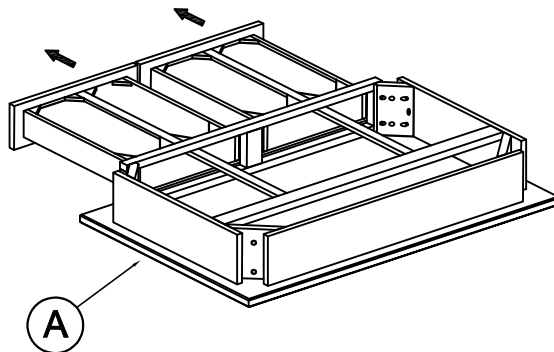
MODEL#:7123 PAYSON TAUPE KITCHEN CART(V#12600BHTW1)

MODEL#:7126 PAYSON RED KITCHEN CART(V#12600BHTW1)

NOTE:THIS ITEM NOT RECOMMENDED FOR COMMERCIAL USE KEEP THIS DOCUMENT FOR REFERENCE IN CASE PARTS ARE NEEDED DO NOT TIGHTEN SCREWS UNTIL COMPLETELY ASSEMBLED!!

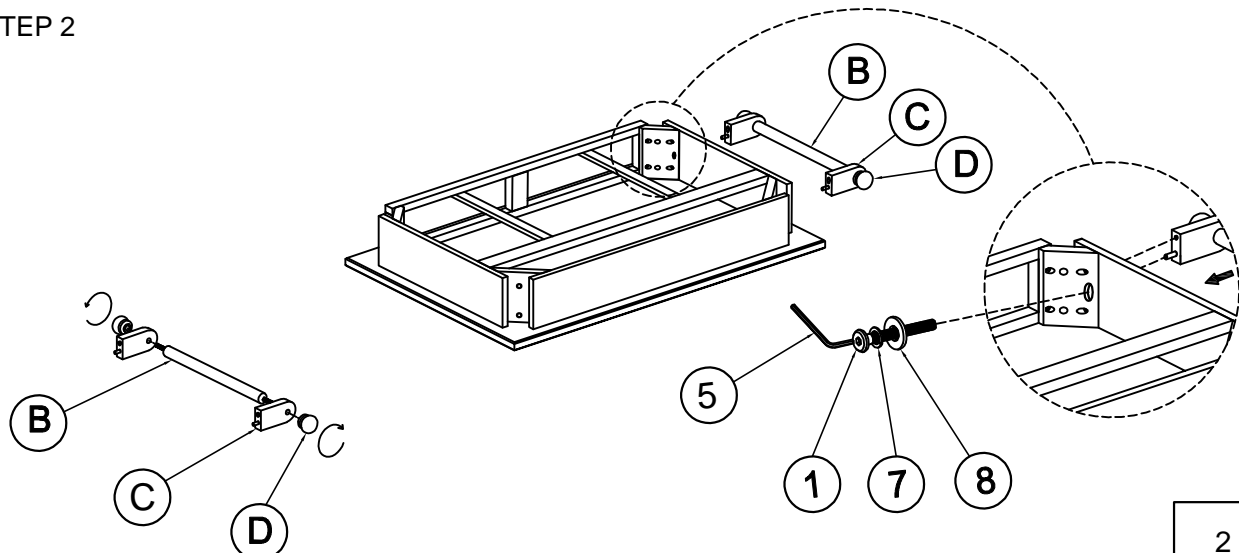
NO	HARDWARE LIST			Q'TY
1		Bolt	Ø1/4"x1-1/2"	2PCS
2		Bolt	Ø5/16"x2-1/4"	16pcs
3		Lock Washer	Ø5/16"x10Dx1mm	16pcs
4		Flat Washer	Ø5/16"x22Dx2mm	20pcs
5		Allen Wrench	2-1/4"x4mm	1pc
6		WRENCH	2-3/4"x25Dx2mm	1pc
7		Lock Washer	Ø1/4"x10Dx1mm	2PCS
8		Flat Washer	Ø1/4"x19Dx2mm	2PCS

STEP 1



Before assemble ,please pull out the drawer first

STEP 2



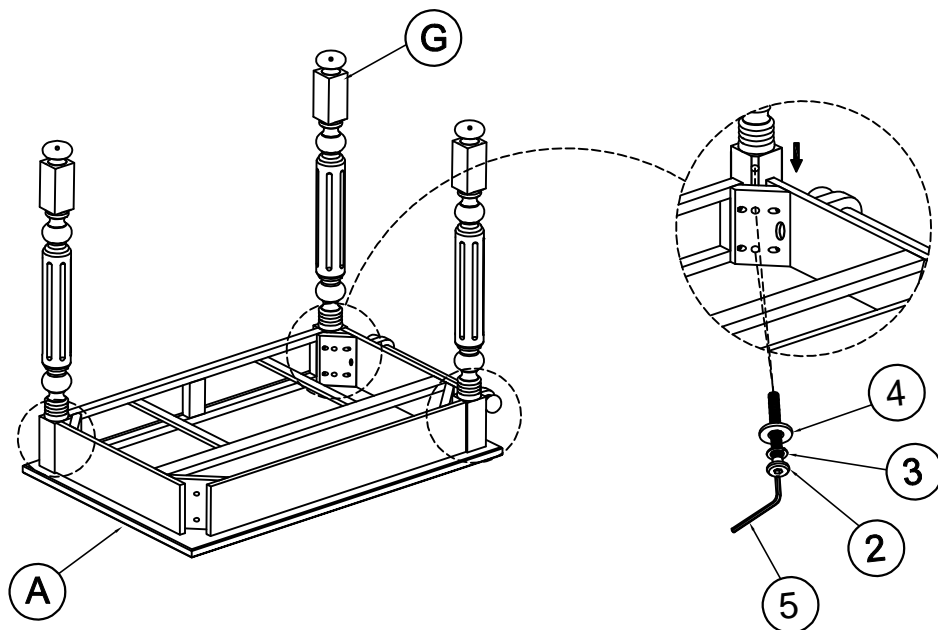
ASSEMBLY INSTRUCTIONS

MODEL#:7123 PAYSON TAUPE KITCHEN CART(V#12600BHTW1)

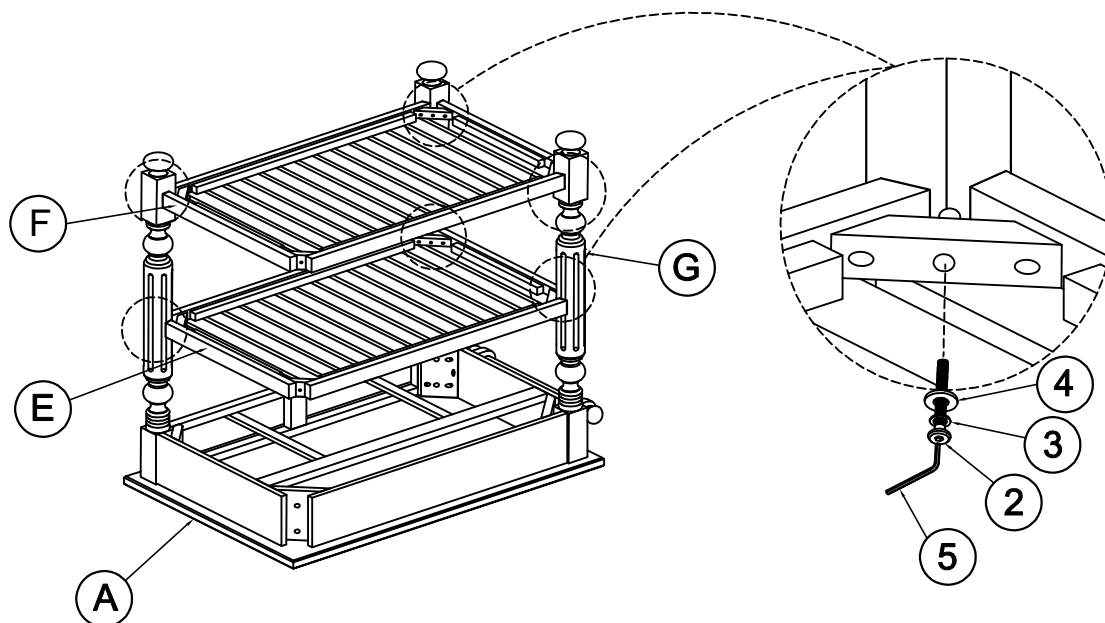
MODEL#:7126 PAYSON RED KITCHEN CART(V#12600BHTW1)

NOTE: THIS ITEM NOT RECOMMENDED FOR COMMERCIAL USE KEEP THIS DOCUMENT FOR REFERENCE IN CASE PARTS ARE NEEDED DO NOT TIGHTEN SCREWS UNTIL COMPLETELY ASSEMBLED!!

STEP 3



STEP 4

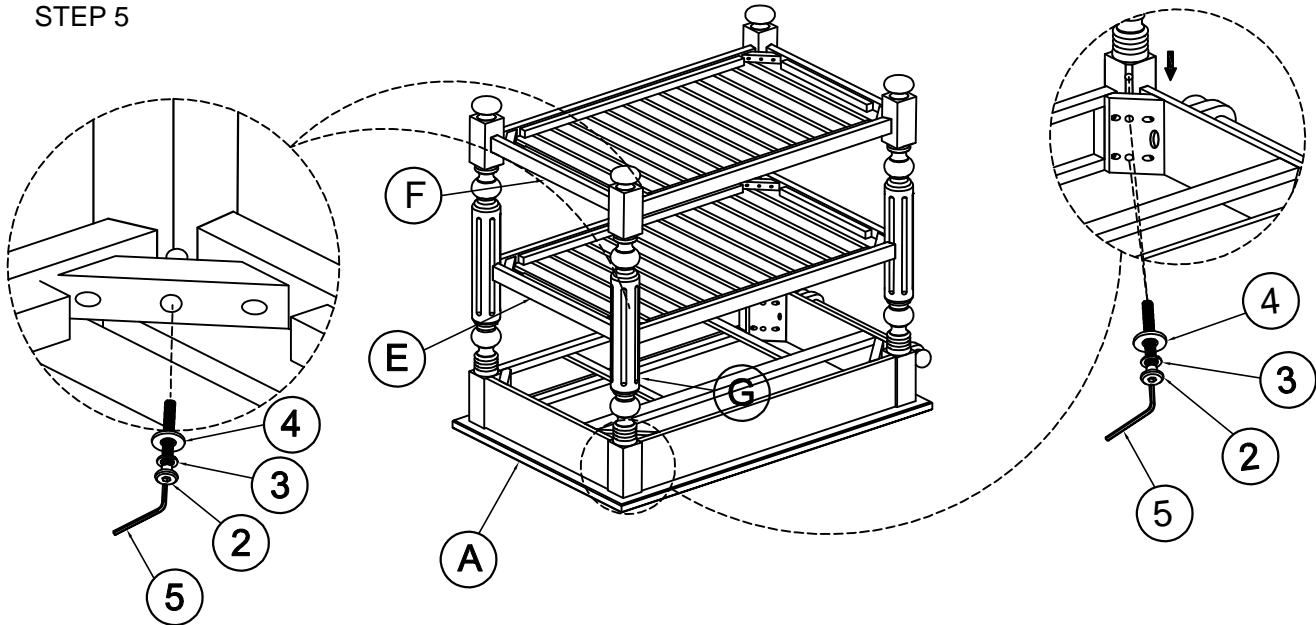


ASSEMBLY INSTRUCTIONS

MODEL#:7126 PAYSON RED KITCHEN CART(V#12600BHTW1)
MODEL#:7123 PAYSON TAUPE KITCHEN CART(V#12600BHTW1)

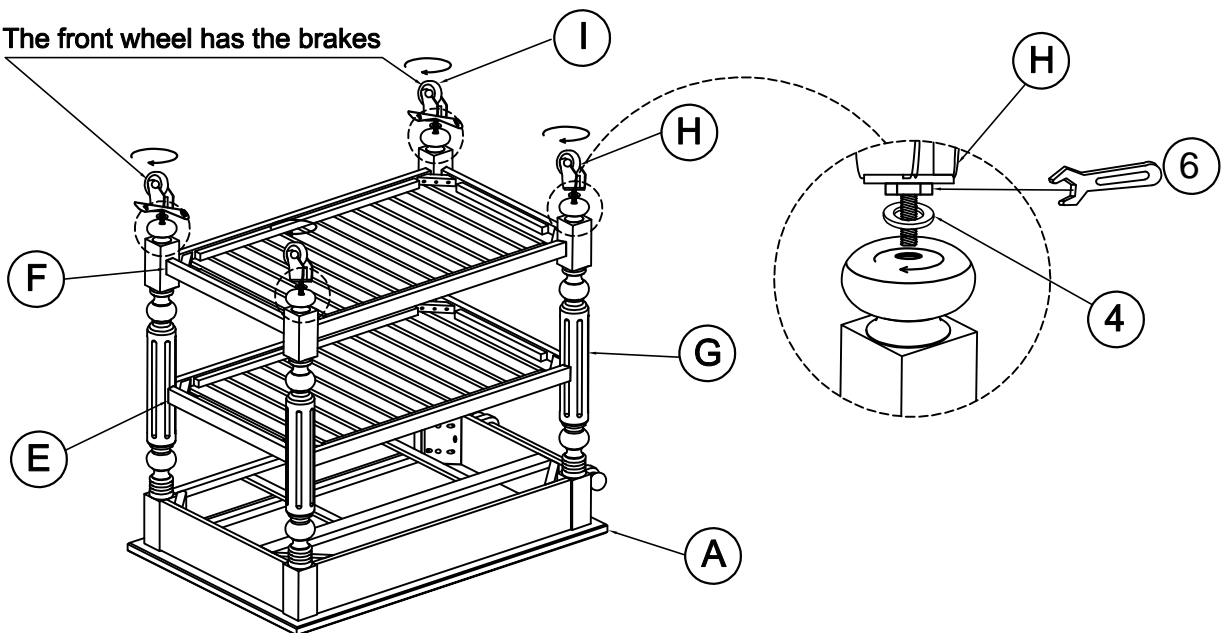
NOTE:THIS ITEM NOT RECOMMENDED FOR COMMERCIAL
USE KEEP THIS DOCUMENT FOR REFERENCE IN CASE PARTS ARE NEEDED
DO NOT TIGHTEN SCREWS UNTIL COMPLETELY ASSEMBLED!!

STEP 5



STEP 6

The front wheel has the brakes



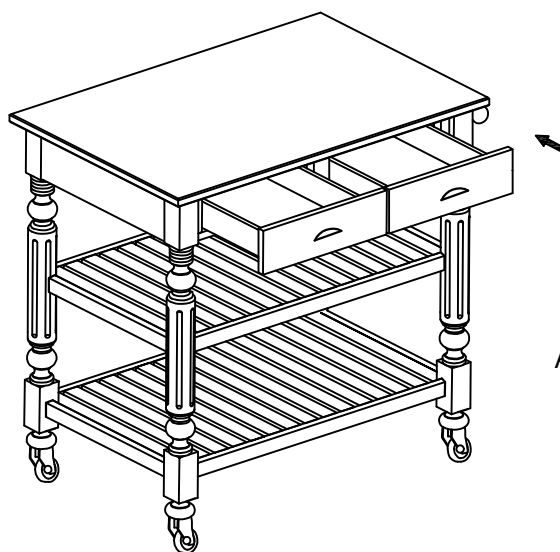
ASSEMBLY INSTRUCTIONS

MODEL#:7123 PAYSON TAUPE KITCHEN CART(V#12600BHTW1)

MODEL#:7123 PAYSON TAUPE KITCHEN CART(V#12600BHTW1)

NOTE:THIS ITEM NOT RECOMMENDED FOR COMMERCIAL
USE KEEP THIS DOCUMENT FOR REFERENCE IN CASE PARTS ARE NEEDED
DO NOT TIGHTEN SCREWS UNTIL COMPLETELY ASSEMBLED!!

STEP 7



When the assembly is finished ,
then pull in the drawer

Assembly Completed