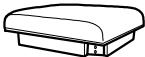





ASSEMBLY INSTRUCTION

MODEL : #5944-532, #5944DS-533, #5944-540 Stool (V#12600CSES1)

**NOTE : THIS ITEM NOT RECOMMENDED FOR COMMERCIAL USE
KEEP THIS DOCUMENT FOR REFERENCE IN CASE PARTS ARE NEEDED
DO NOT TIGHTEN SCREWS UNTIL COMPLETELY ASSEMBLED**

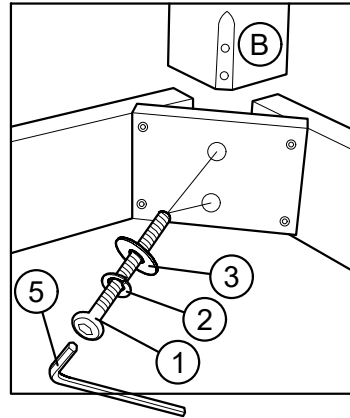
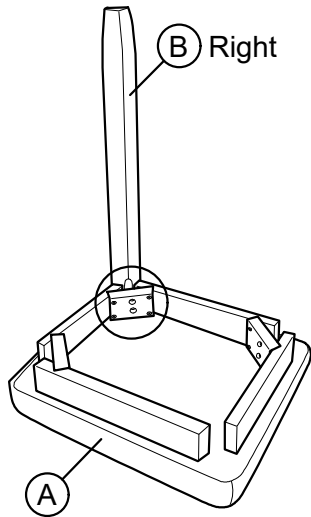
HARDWARE LIST			
NO		DESCRIPTION	QTY
1		JCBC BOLT M6 x 50MM	8 PCS
2		SPRING WASHER M6	8 PCS
3		FLAT WASHER M6	8 PCS
4		CSK Screw M4 x 38MM	8 PCS
5		Allen Key M4 x 110MM	1 PC

PART LIST			
NO		DESCRIPTION	QTY
A		SEAT	1
B		LEG (R/L)	4
C		STRETCHER - LONG	2
D		STRETCHER - SHORT	2

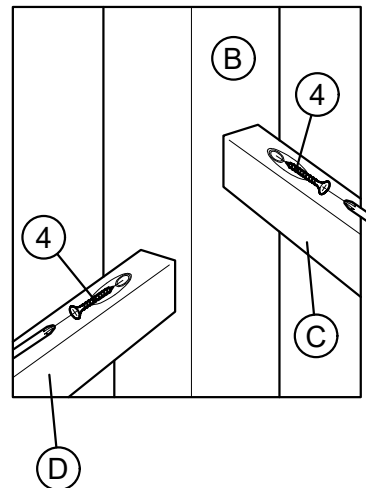
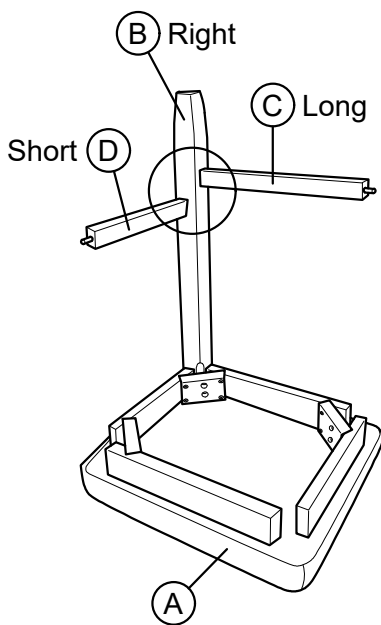
ASSEMBLY INSTRUCTION

MODEL : #5944-532, #5944DS-533, #5944-540 Stool (V#12600CSES1)

Step 1
Do not over tighten the hardware.



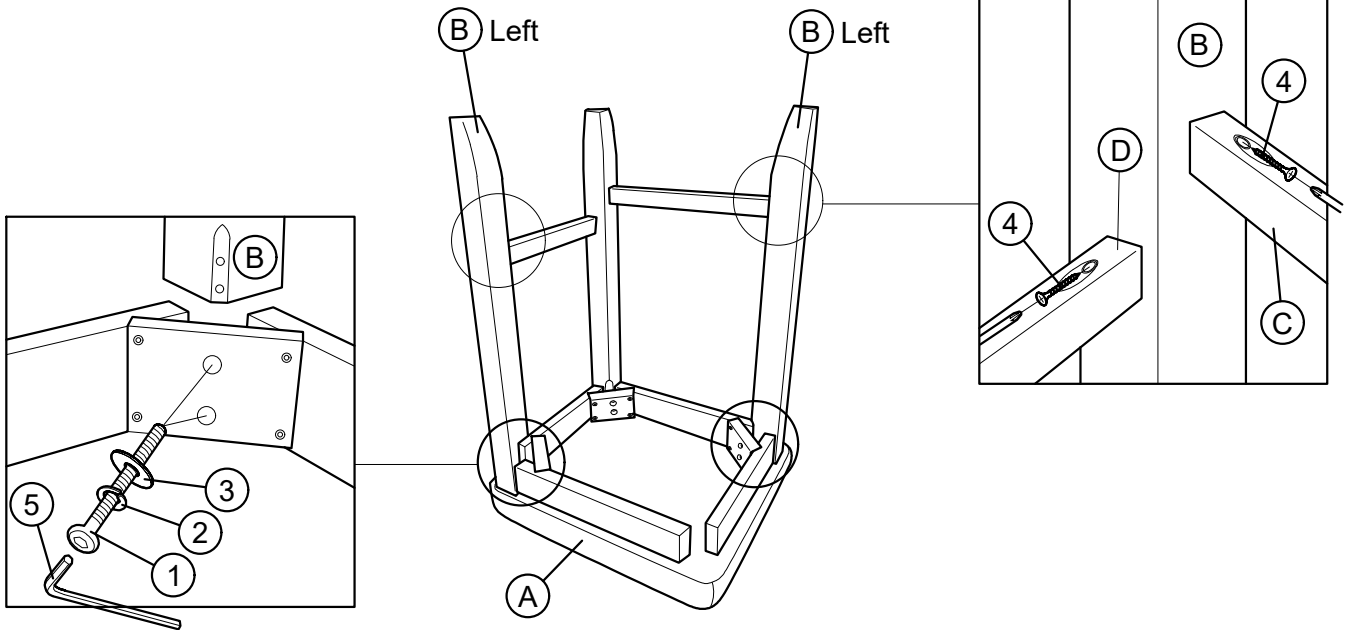
Step 2
Do not over tighten the hardware.



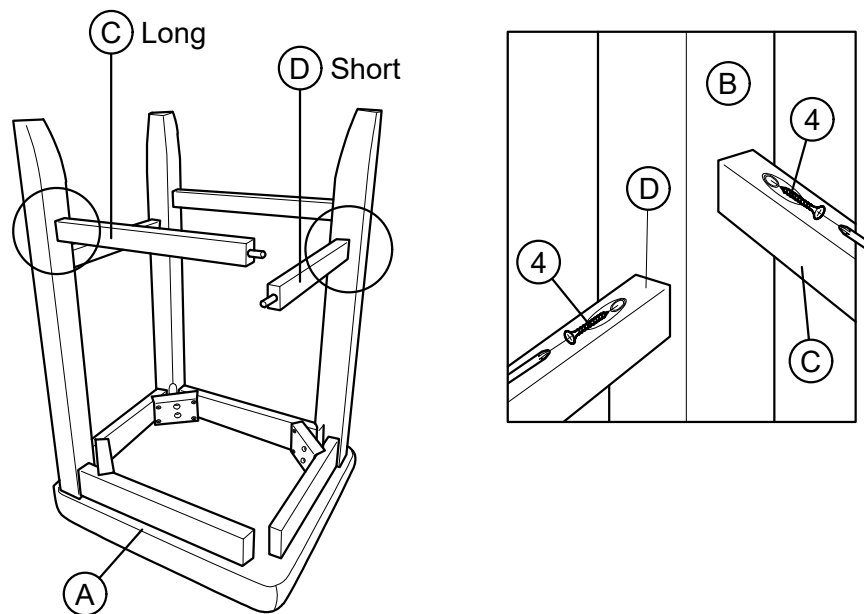
ASSEMBLY INSTRUCTION

MODEL : #5944-532, #5944DS-533, #5944-540 Stool (V#12600CSES1)

Step 3
Do not over tighten the hardware.



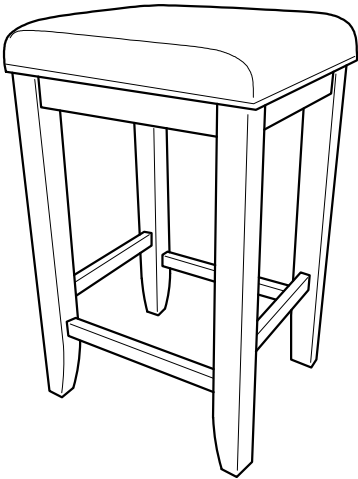
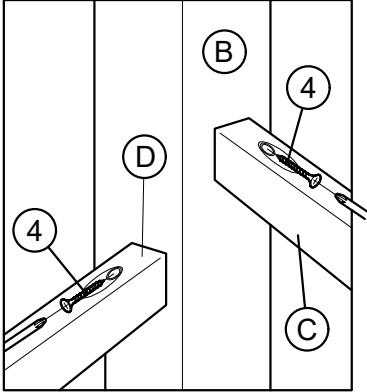
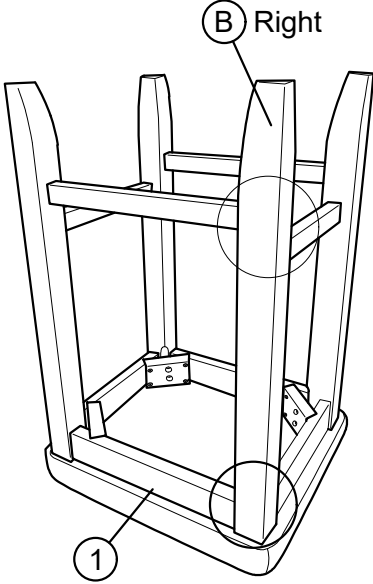
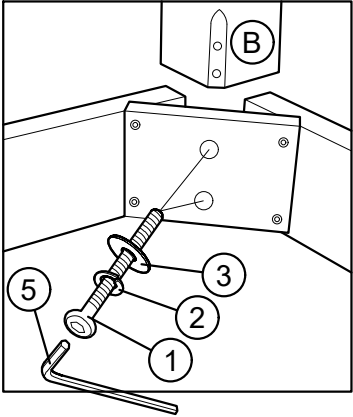
Step 4
Do not over tighten the hardware.



ASSEMBLY INSTRUCTION

MODEL : #5944-532, #5944DS-533, #5944-540 Stool (V#12600CSES1)

Step 4
Tighten all hardware in this step.



ASSEMBLY COMPLETED