

ASSEMBLY INSTRUCTIONS

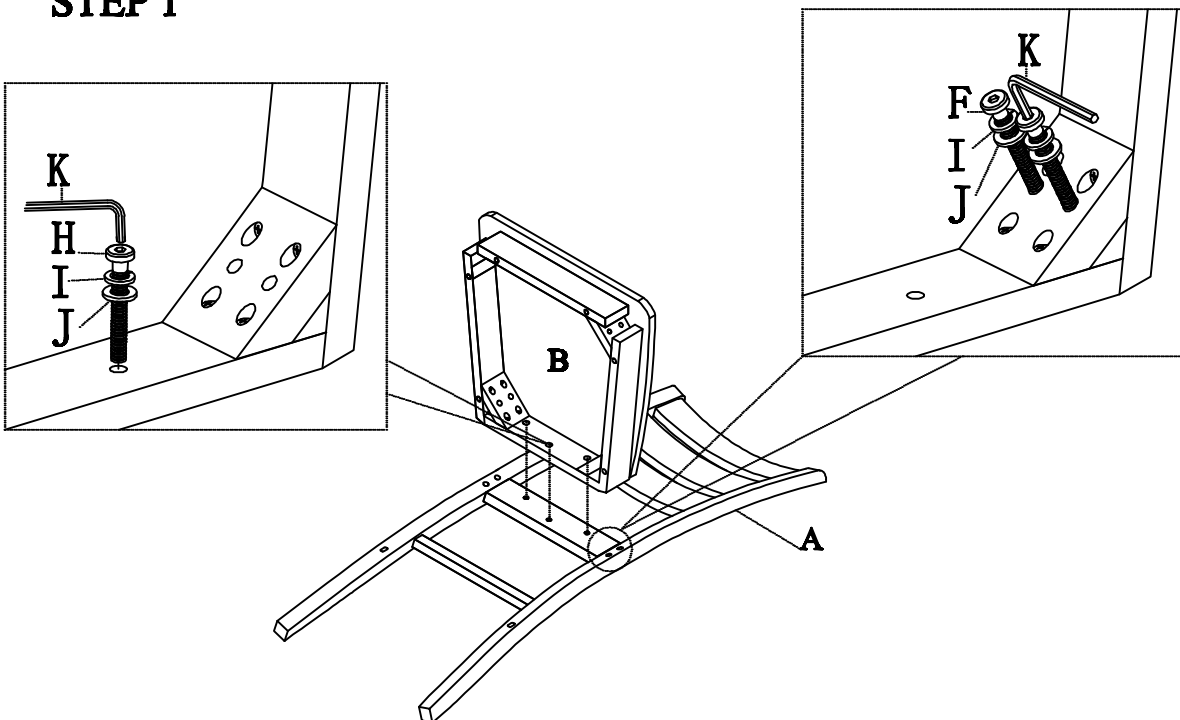
MODEL # : 5921 (7/2016) (V#12600LIPH1)

PG 1 OF 2

**NOTE: THIS ITEM NOT RECOMMENDED FOR COMMERCIAL USE
KEEP THIS DOCUMENT FOR REFERENCE IN CASE PARTS ARE NEEDED
DO NOT TIGHTEN SCREWS UNTIL COMPLETELY ASSEMBLED !!**

No	DESCRIPTION		Q'TY
A	CHAIR BACK	16-1/4" x 1-3/4" x 40"	1PC
B	SEAT	17-1/4" x 15-1/4" x 3-1/4"	1PC
C	FRONT LEGS (R & L)	22-3/4" x 1-1/2" x 1-1/2"	2PCS
D	FRONT STRETCHER	13" x 1-1/4" x 3/4"	1PC
E	SIDE STRETCHER (R & L)	14" x 1-1/4" x 3/4"	2PCS
F	BOLT (LONG)	1/4"DIA x 3-1/4"	4PCS
G	BOLT (LONG)	1/4"DIA x 2-1/4"	4PCS
H	BOLT (SHORT)	1/4"DIA x 1-1/2"	3PCS
I	LOCK WASHER	1/4"DIA	11PCS
J	FLAT WASHER	1/4"DIA	11PCS
K	ALLEN KEY	4mm	1PC
L	SCREWS	M4 x 1-1/2"	6PCS

STEP 1



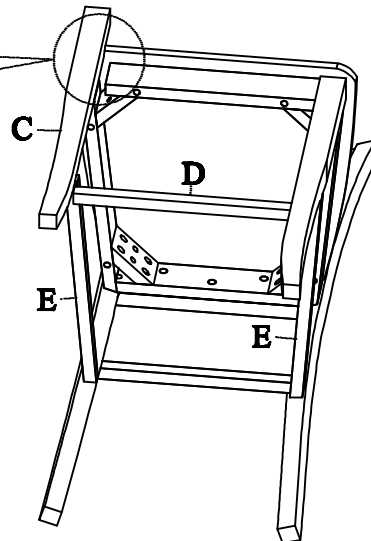
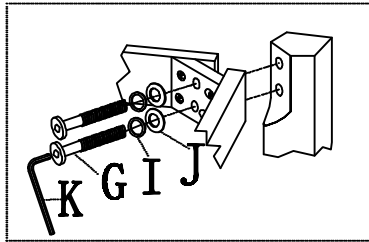
ASSEMBLY INSTRUCTIONS

MODEL # : 5921 (7/2016) (V#12600LIPH1)

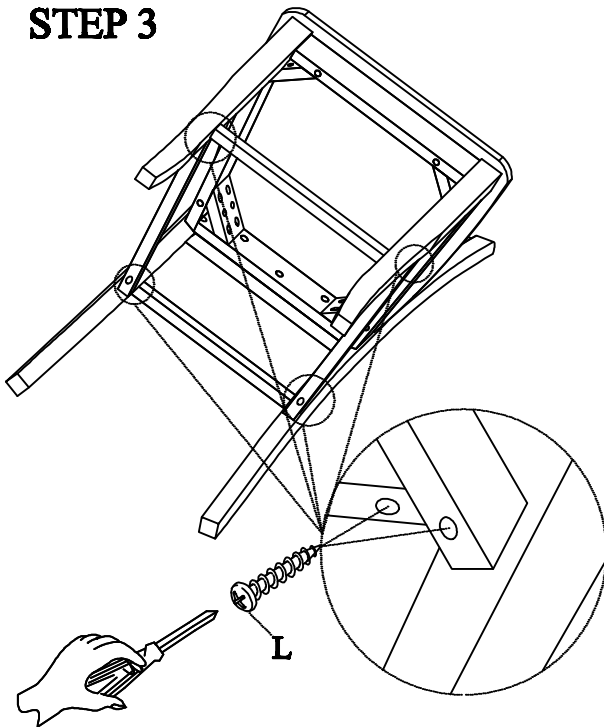
PG 2 OF 2

**NOTE: THIS ITEM NOT RECOMMENDED FOR COMMERCIAL USE
KEEP THIS DOCUMENT FOR REFERENCE IN CASE PARTS ARE NEEDED
DO NOT TIGHTEN SCREWS UNTIL COMPLETELY ASSEMBLED !!**

STEP 2



STEP 3



STEP 4

