

ASSEMBLY INSTRUCTIONS

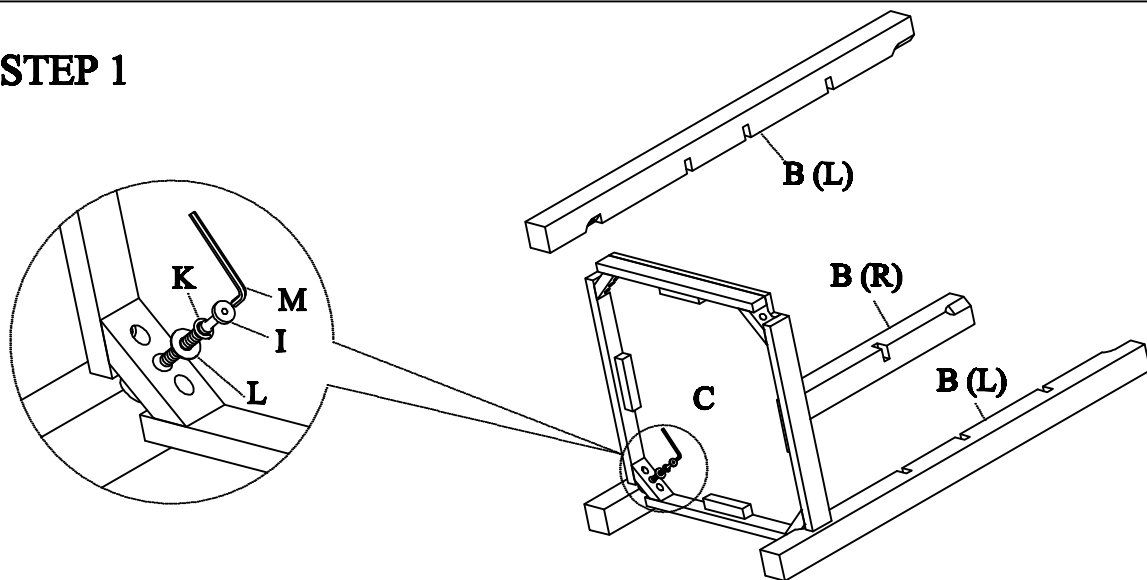
MODEL # : 5920 (7/2016) (V#12600LIPH1)

PG 1 OF 3

**NOTE: THIS ITEM NOT RECOMMENDED FOR COMMERCIAL USE
KEEP THIS DOCUMENT FOR REFERENCE IN CASE PARTS ARE NEEDED
DO NOT TIGHTEN SCREWS UNTIL COMPLETELY ASSEMBLED !!**

No	DESCRIPTION	Q'TY
A	PUB TABLE TOP 40"DIA x 2-1/4"	1PC
B	PUB TABLE LEG (R+L) 36-2/7" x 2" x 2"	4PCS
C	SHELF - BOTTOM 18-1/2" x 18-1/2" x 1-3/4"	1PC
D	SHELF - MIDDLE 17-3/5" x 17-3/5" x 1/2"	1PC
E	SHELF - TOP 17-3/5" x 17-3/5" x 1/2"	1PC
F	WINE RACK - BOTTOM PANEL 17-3/5" x 17-3/5" x 1/2"	1PC
G	WINE RACK - MIDDLE PANEL 17-1/2" x 5-1/4" x 1/2"	2PCS
H	WINE RACK - SIDE PANEL 17-1/2" x 5-1/4" x 1/2"	2PCS
I	BOLT (LONG) 5/16"DIA x 2"	8PCS
J	BOLT (SHORT) 1/4"DIA x 1"	8PCS
K	LOCK WASHER 5/16"DIA	16PCS
L	FLAT WASHER 5/16"DIA	8PCS
M	ALLEN KEY 4mm	1PC
N	SCREWS M4 x 1"	4PCS
O	SCREWS M4 x 1-1/2"	4PCS
P	GLUE	1PC
Q	WOOD DOWEL Ø8 x 20mm	16PCS
R	FLAT WASHER 1/4"DIA	8PCS

STEP 1



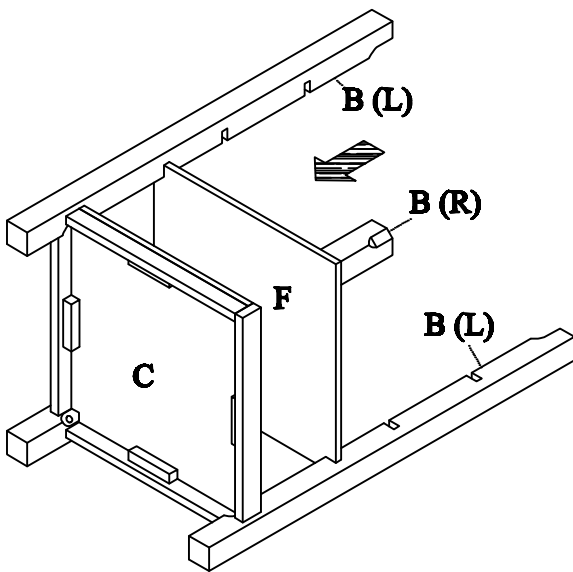
ASSEMBLY INSTRUCTIONS

MODEL # : 5920 (7/2016) (V#12600LIPH1)

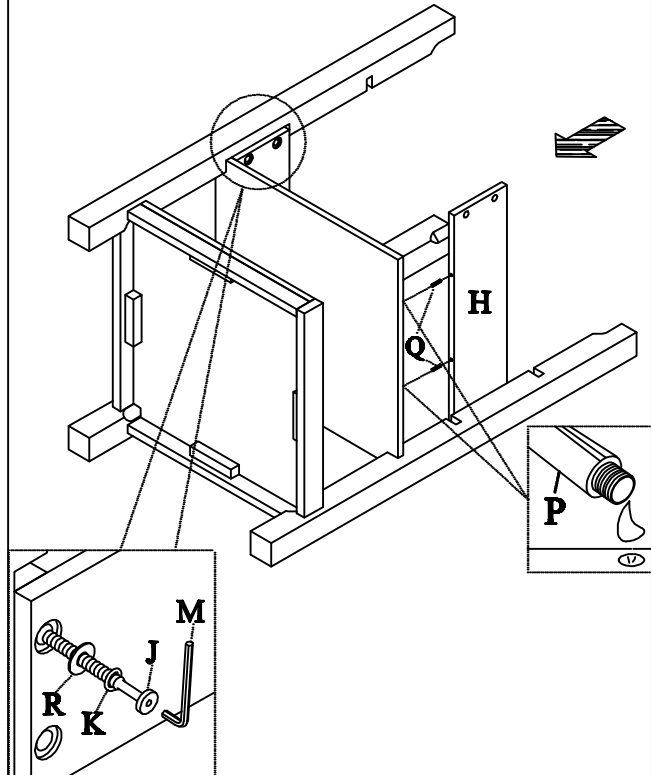
PG 2 OF 3

**NOTE: THIS ITEM NOT RECOMMENDED FOR COMMERCIAL USE
KEEP THIS DOCUMENT FOR REFERENCE IN CASE PARTS ARE NEEDED
DO NOT TIGHTEN SCREWS UNTIL COMPLETELY ASSEMBLED !!**

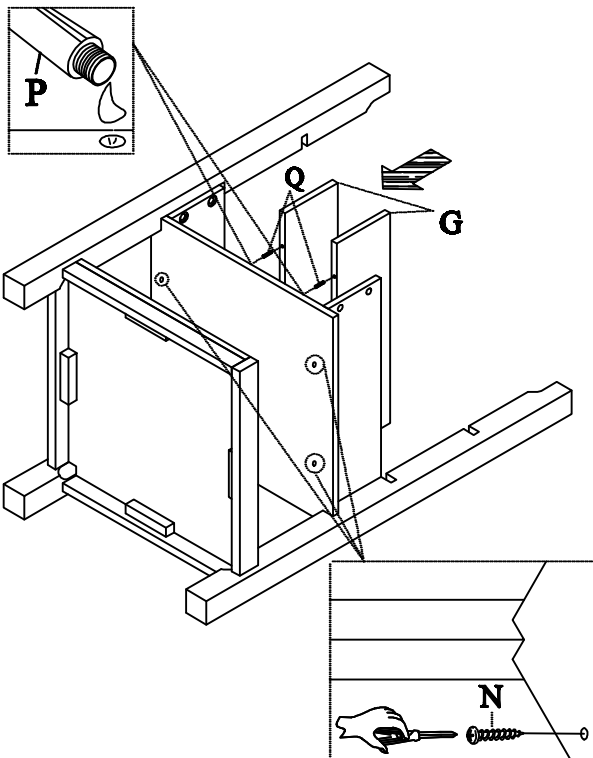
STEP 2



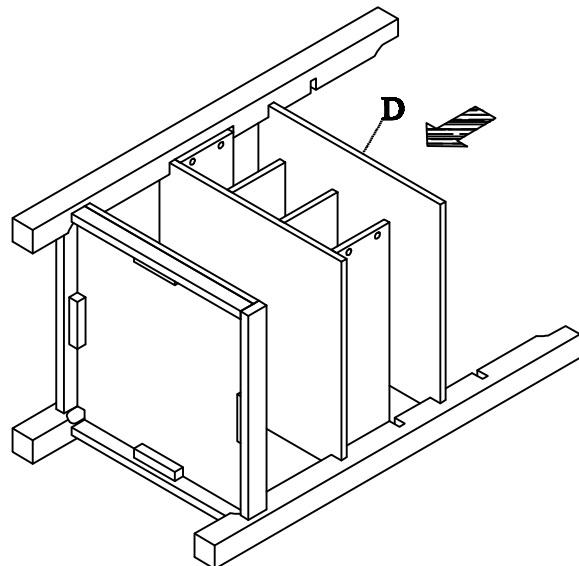
STEP 3



STEP 4



STEP 5



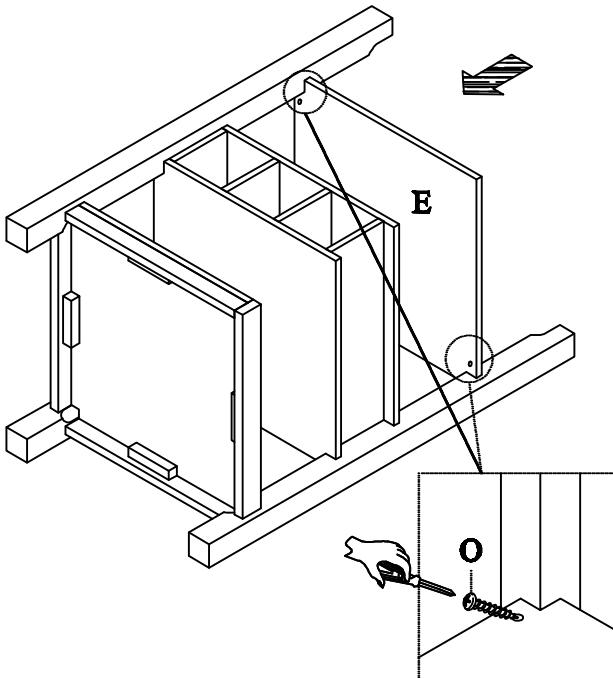
ASSEMBLY INSTRUCTIONS

MODEL # : 5920 (7/2016) (V#12600LIPH1)

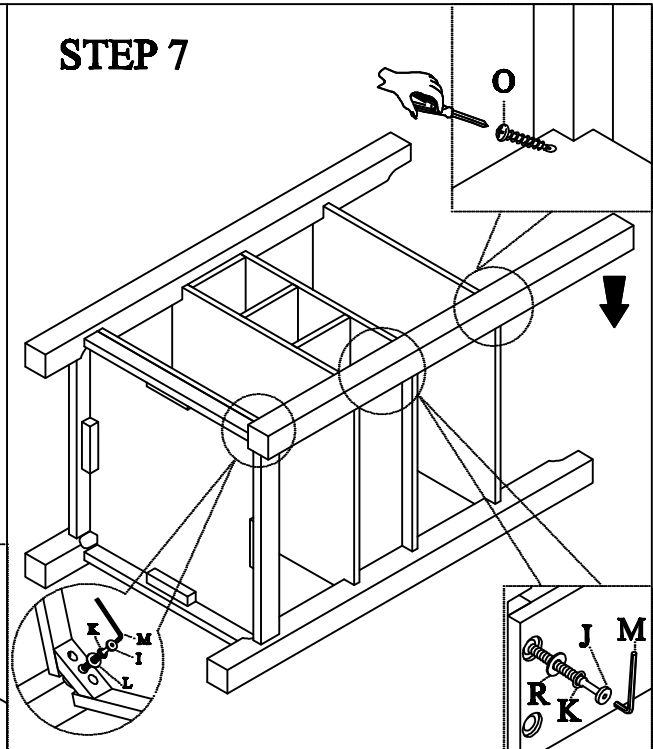
PG 3 OF 3

**NOTE: THIS ITEM NOT RECOMMENDED FOR COMMERCIAL USE
KEEP THIS DOCUMENT FOR REFERENCE IN CASE PARTS ARE NEEDED
DO NOT TIGHTEN SCREWS UNTIL COMPLETELY ASSEMBLED !!**

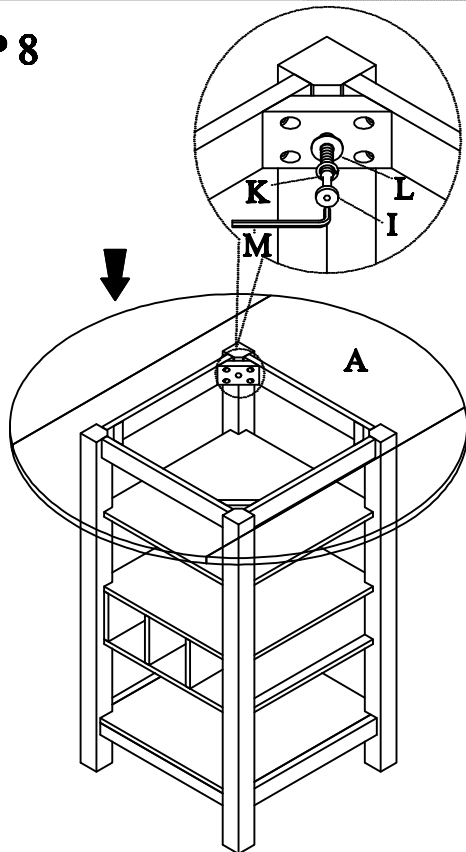
STEP 6



STEP 7



STEP 8



STEP 9

