





# ASSEMBLY INSTRUCTIONS

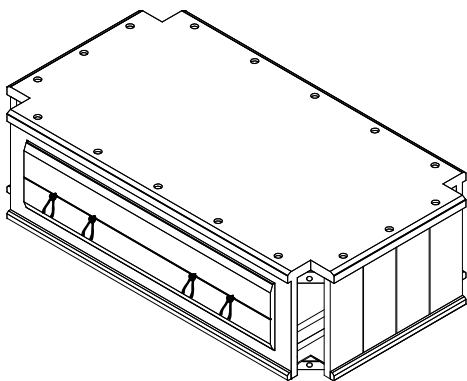
**MODEL # : 5910-530 BELLAMY LANE COUNTER TABLE (V#12600CTYD1)**

**NOTE: THIS ITEM NOT RECOMMENDED FOR COMMERCIAL USE  
KEEP THIS DOCUMENT FOR REFERENCE IN CASE PARTS ARE NEEDED  
DO NOT TIGHTEN SCREWS UNTIL COMPLETELY ASSEMBLED!!**

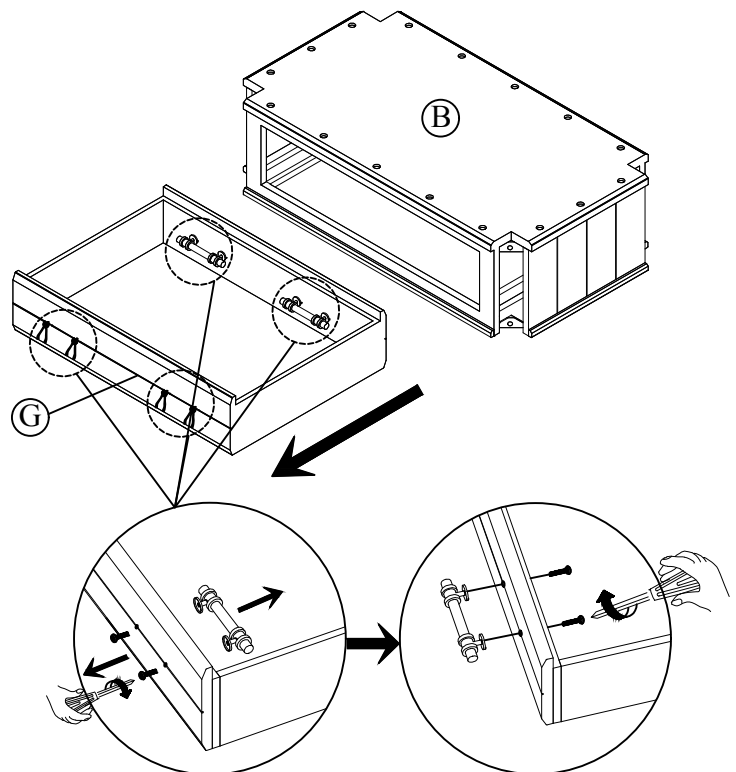
No	PARTS LIST		Q'TY
A		TABLE TOP	1PC
B		TABLE BASE	1PC
C		LONG SIDE METAL BAR	2PCS
D		SHORT SIDE METAL BAR	2PCS
E		LEFT LEGS	2PCS
F		RIGHT LEGS	2PCS
G		TABLE DRAWER	1PC

No	PARTS LIST		Q'TY
1		BOLT Ø5/16" x 2-3/4"	16PCS
2		LOCK WASHER Ø5/16" x 10 x 1.1mm	16PCS
3		FLAT WASHER Ø5/16" x 18 x 2mm	16PCS
4		LOCK WASHER M4mm	1PC

STEP 1



STEP 2

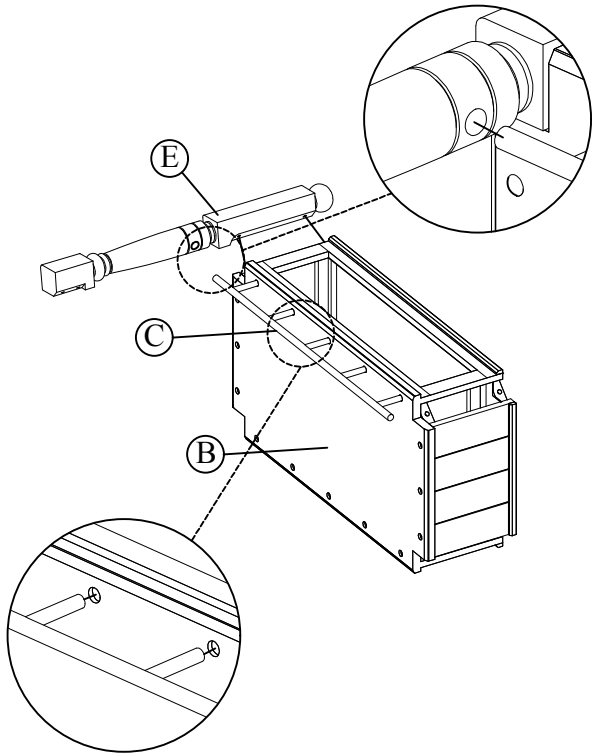


# ASSEMBLY INSTRUCTIONS

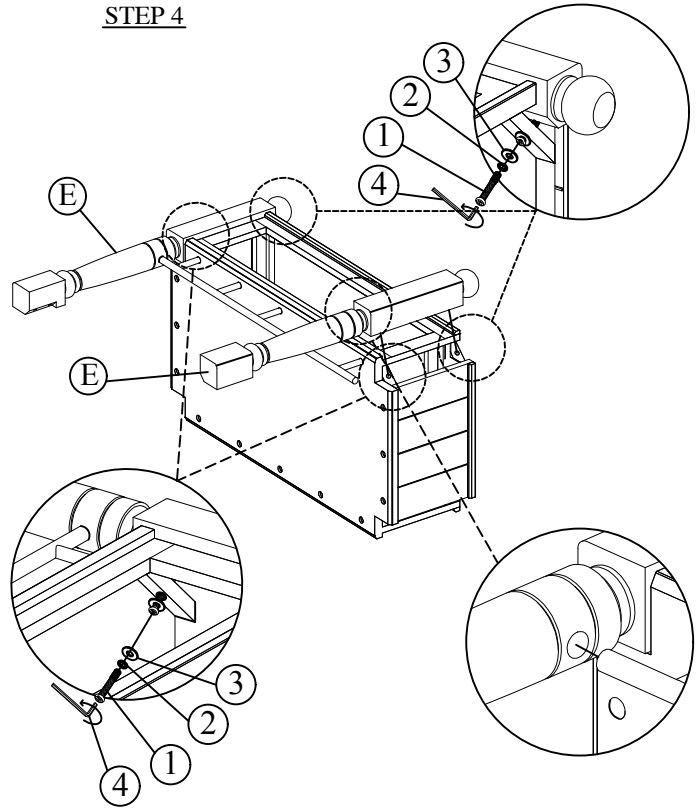
MODEL # : 5910-530 BELLAMY LANE COUNTER TABLE (V#12600CTYD1)

**NOTE: THIS ITEM NOT RECOMMENDED FOR COMMERCIAL USE  
KEEP THIS DOCUMENT FOR REFERENCE IN CASE PARTS ARE NEEDED  
DO NOT TIGHTEN SCREWS UNTIL COMPLETELY ASSEMBLED! !**

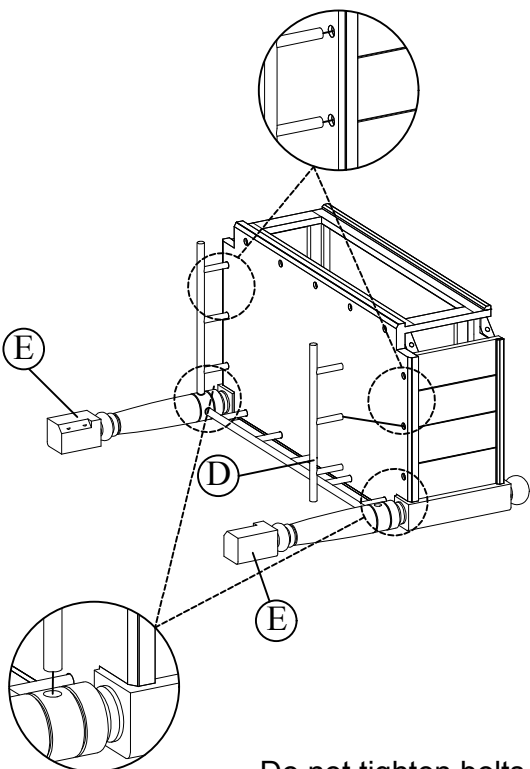
STEP 3



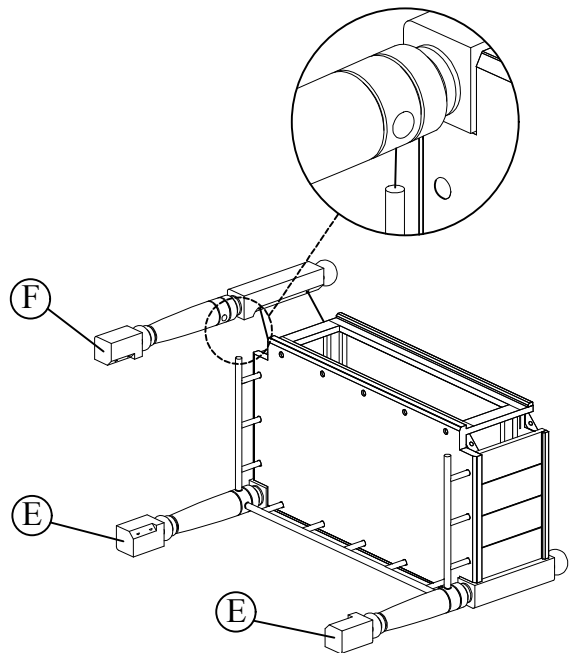
STEP 4



STEP 5



STEP 6



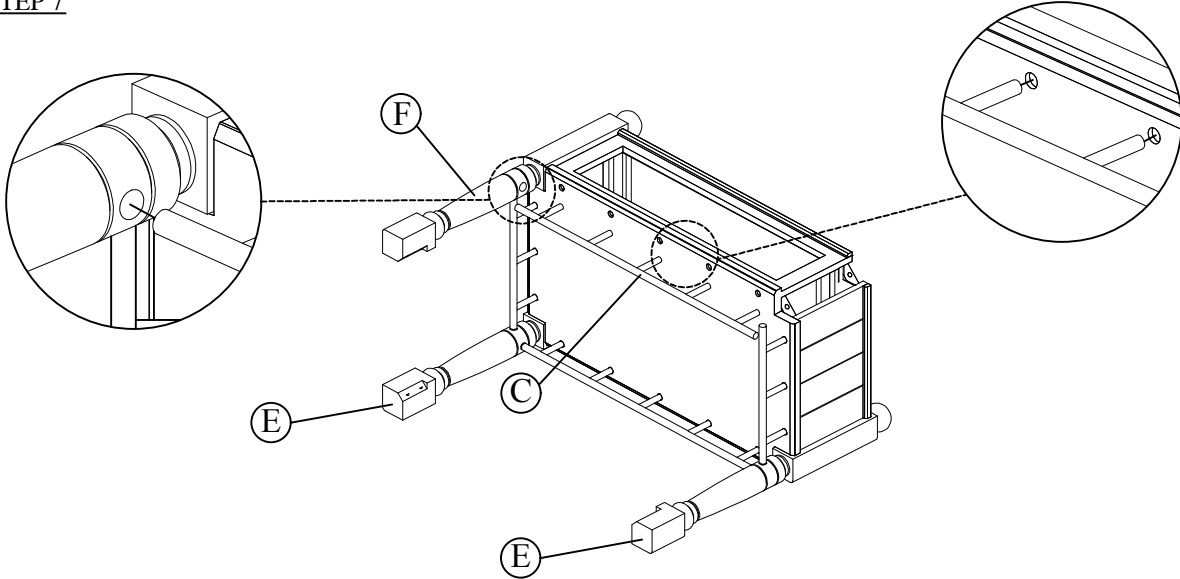
Do not tighten bolts till fix up the long/short side metal bar.

# ASSEMBLY INSTRUCTIONS

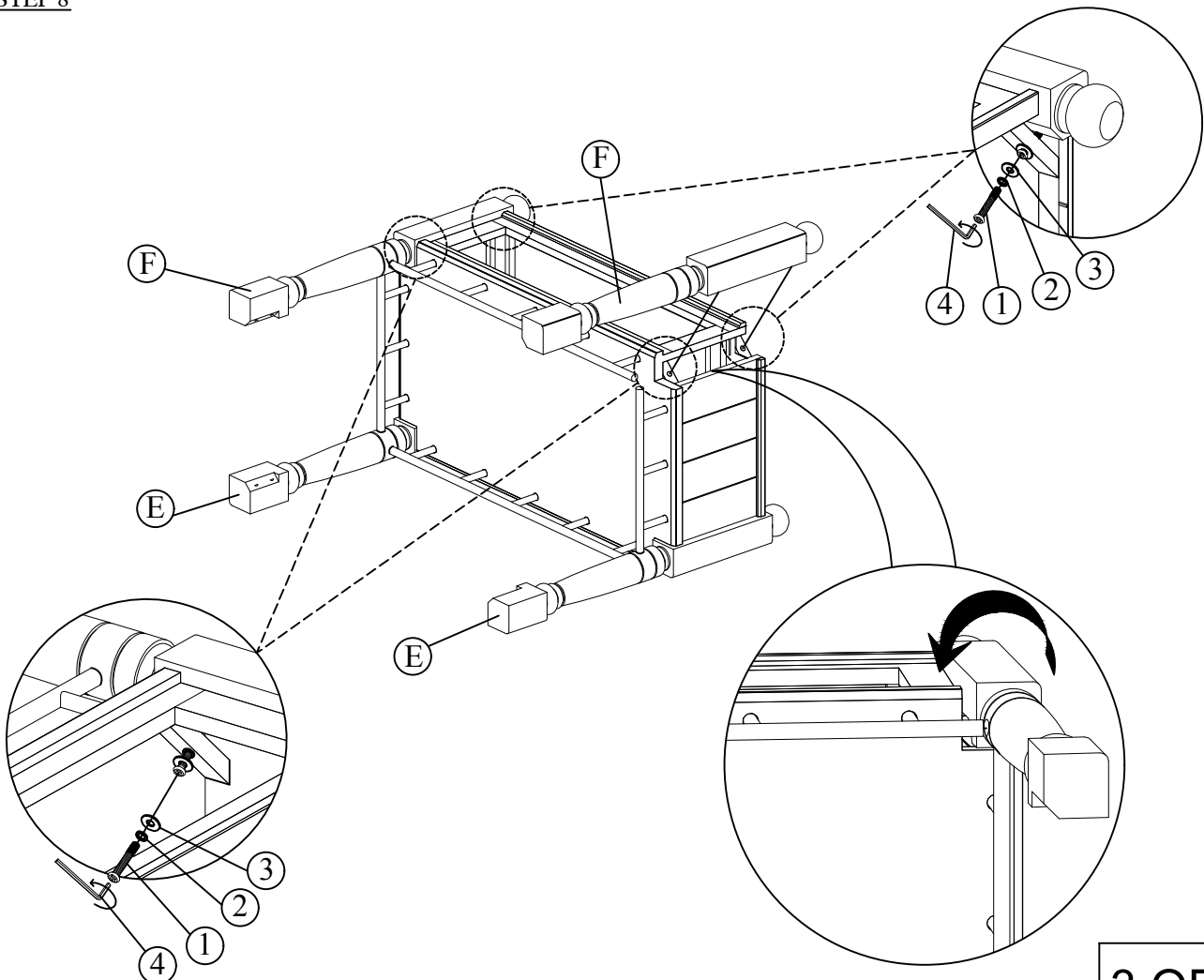
MODEL # : 5910-530 BELLAMY LANE COUNTER TABLE (V#12600CTYD1)

**NOTE: THIS ITEM NOT RECOMMENDED FOR COMMERCIAL USE  
KEEP THIS DOCUMENT FOR REFERENCE IN CASE PARTS ARE NEEDED  
DO NOT TIGHTEN SCREWS UNTIL COMPLETELY ASSEMBLED! !**

## STEP 7



## STEP 8



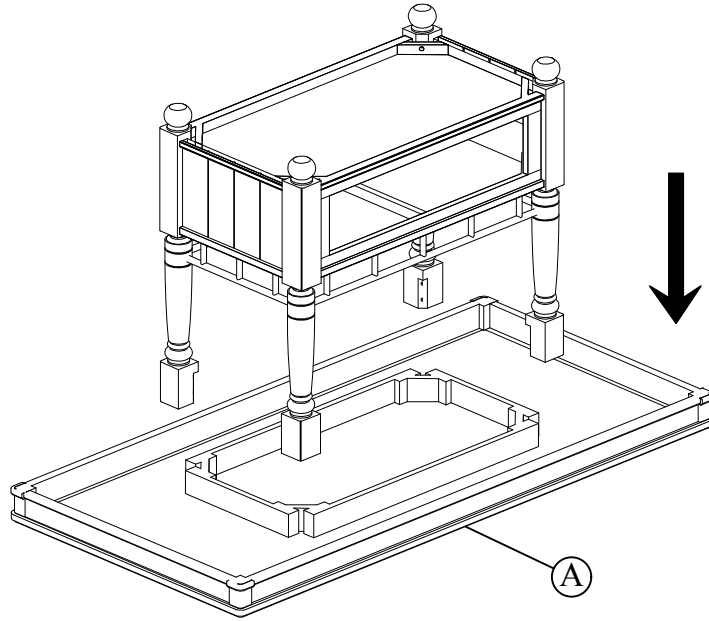
Do not tighten bolts till fix up the long/short side metal bar.

# ASSEMBLY INSTRUCTIONS

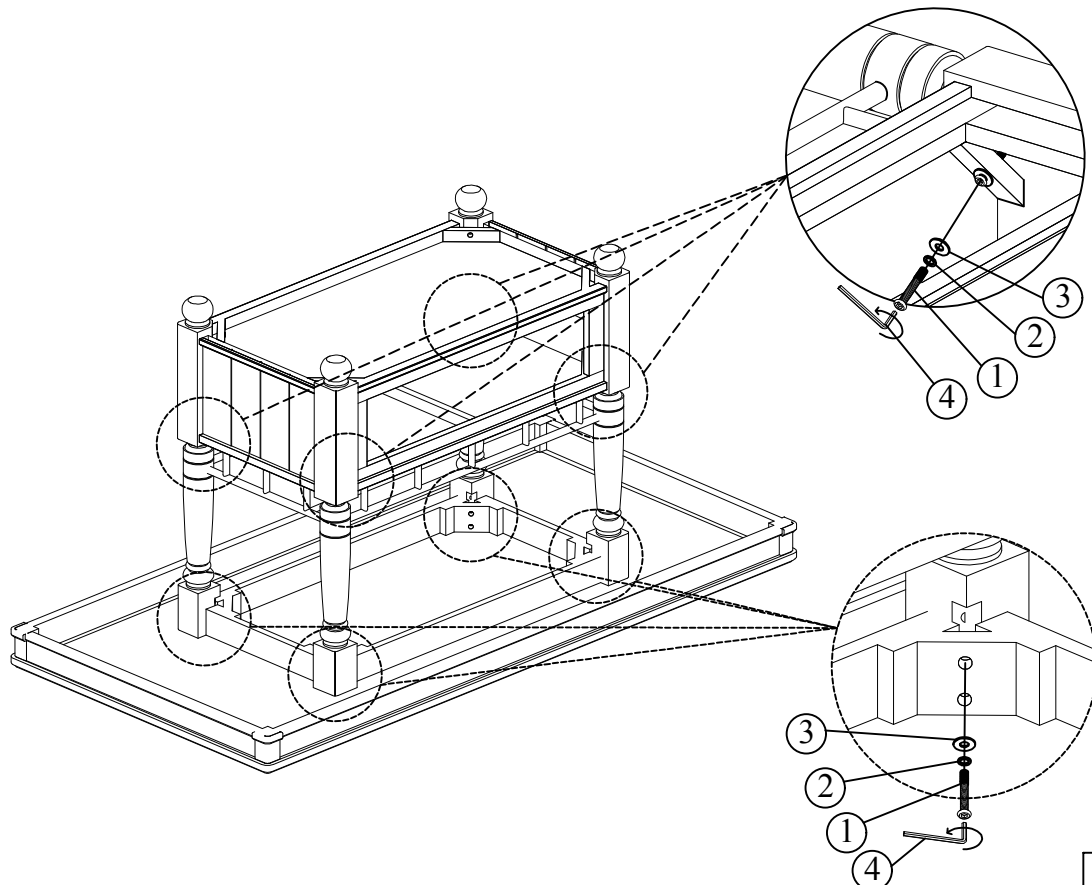
MODEL # : 5910-530 BELLAMY LANE COUNTER TABLE (V#12600CTYD1)

**NOTE: THIS ITEM NOT RECOMMENDED FOR COMMERCIAL USE  
KEEP THIS DOCUMENT FOR REFERENCE IN CASE PARTS ARE NEEDED  
DO NOT TIGHTEN SCREWS UNTIL COMPLETELY ASSEMBLED! !**

## STEP 9



## STEP 10

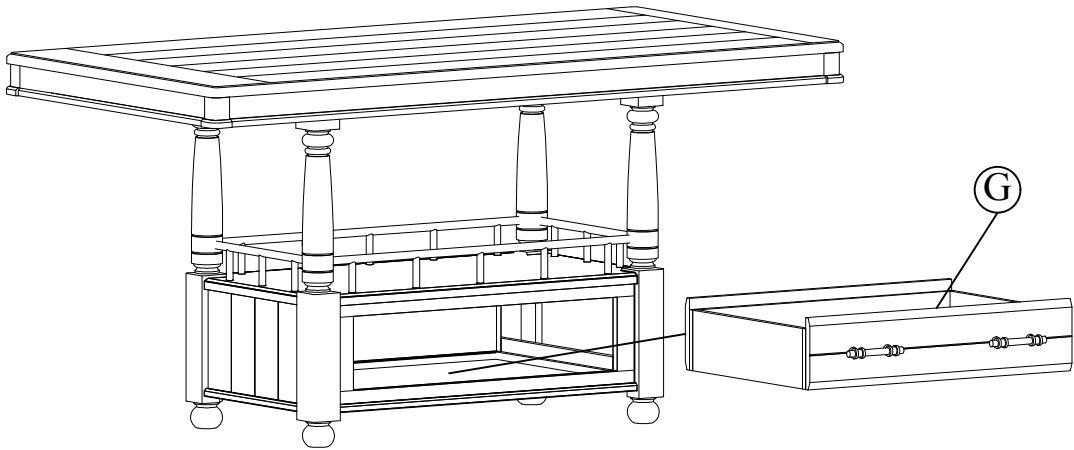


# ASSEMBLY INSTRUCTIONS

MODEL # : 5910-530 BELLAMY LANE COUNTER TABLE (V#12600CTYD1)

**NOTE: THIS ITEM NOT RECOMMENDED FOR COMMERCIAL USE  
KEEP THIS DOCUMENT FOR REFERENCE IN CASE PARTS ARE NEEDED  
DO NOT TIGHTEN SCREWS UNTIL COMPLETELY ASSEMBLED! !**

## STEP 11



## FINAL

