




ASSEMBLY INSTRUCTIONS

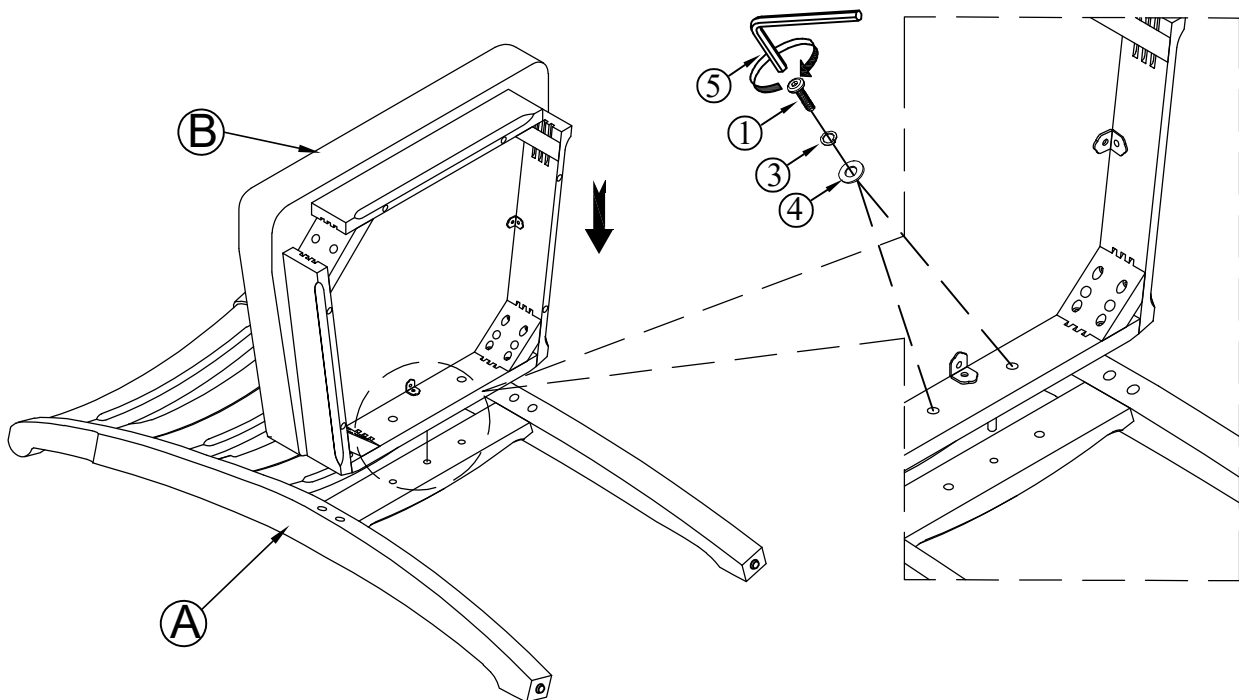
MODEL # : 5910-510 BELLAMY LANE LADDER BACK SIDE CHAIR (V#12600TNWC1)

**NOTE: KEEP THIS DOCUMENT FOR REFERENCE IN CASE PARTS ARE NEEDED
DO NOT TIGHTEN SCREWS UNTIL COMPLETELY ASSEMBLED!!**

No	PARTS LIST		Q'TY
A		CHAIR BACK	1PC
B		SEAT FRAME W/CUSHION	1PC
C		LEGS	2PCS

NO.	HARDWARE LIST			Q'TY
1		ALLEN BOLT	Ø1/4" x 1-1/2"	2PCS
2		ALLEN BOLT	Ø5/16" x 2-3/4"	8PCS
3		LOCK WASHER	Ø5/16" x 12D X 2mm	10PCS
4		FLAT WASHER	Ø5/16" x 19Dmm	10PCS
5		ALLEN KEY	4mm	1PC

STEP 1

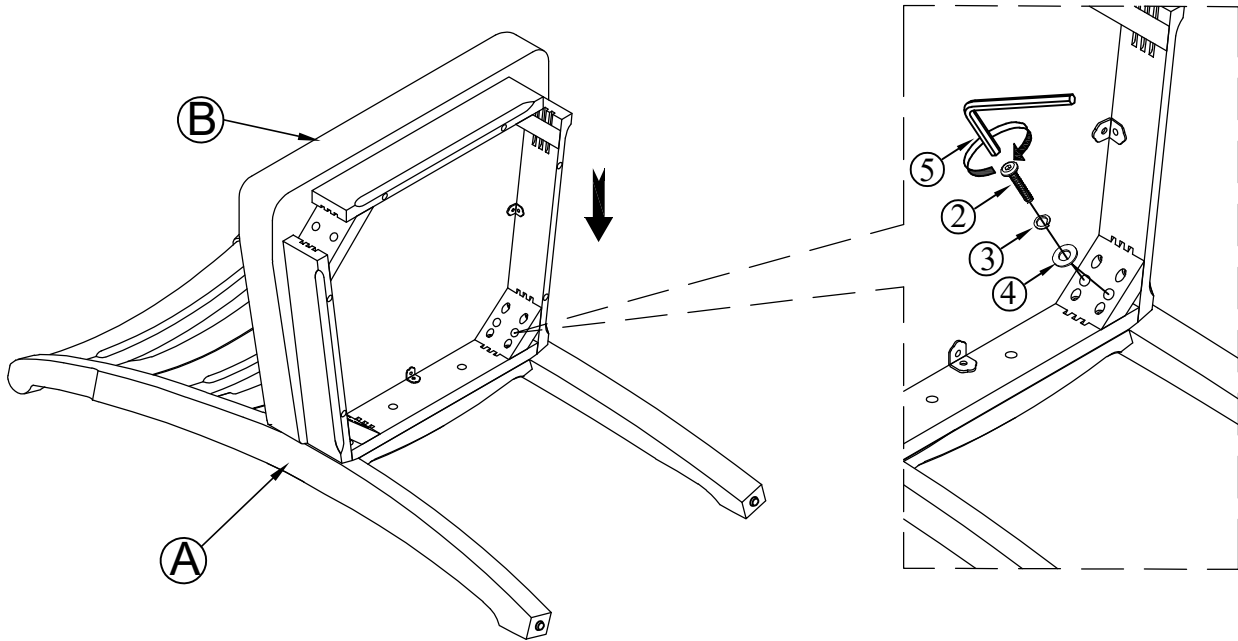


ASSEMBLY INSTRUCTIONS

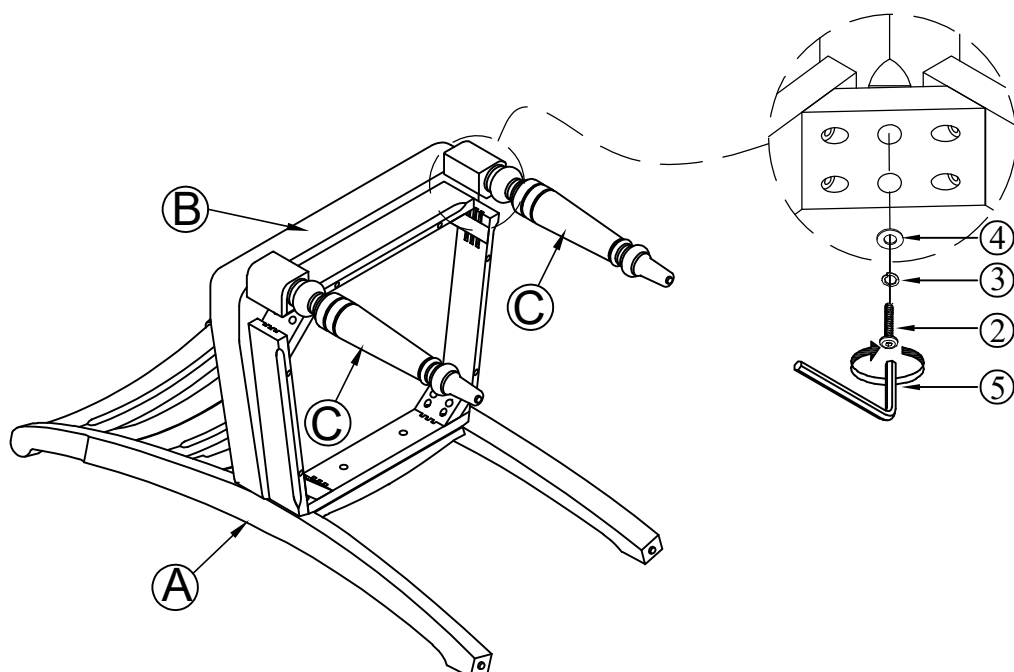
MODEL # : 5910-510 BELLAMY LANE LADDER BACK SIDE CHAIR (V#12600TNWC1)

NOTE: KEEP THIS DOCUMENT FOR REFERENCE IN CASE PARTS ARE NEEDED
DO NOT TIGHTEN SCREWS UNTIL COMPLETELY ASSEMBLED!!

STEP 2



STEP 3



ASSEMBLY INSTRUCTIONS

MODEL # : 5910-510 BELLAMY LANE LADDER BACK SIDE CHAIR (V#12600TNWC1)

NOTE: KEEP THIS DOCUMENT FOR REFERENCE IN CASE PARTS ARE NEEDED
DO NOT TIGHTEN SCREWS UNTIL COMPLETELY ASSEMBLED!!

COMPLETED

