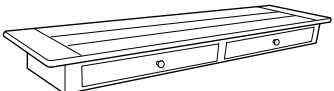
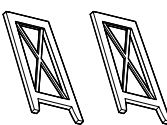
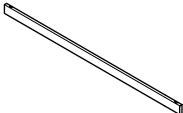
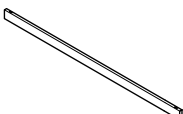


ASSEMBLY INSTRUCTION

MODEL: #5908-533 Table W/O Drop Leaf (V#12600CSES1)

**NOTE: THIS ITEM NOT RECOMMENDED FOR COMMERCIAL USE
KEEP THIS DOCUMENT FOR REFERENCE IN CASE PARTS ARE NEEDED
DO NOT TIGHTEN SCREWS UNTIL COMPLETELY ASSEMBLED**

HARDWARE LIST			
NO		DESCRIPTION	QTY
1		JCBC BOLT M6 x 50MM	6 PCS
2		JCBC BOLT M6 x 70MM	2 PCS
3		SPRING WASHER M6	8 PCS
4		HALF-MOON WASHER M6	6 PCS
5		ALLEN KEY M4 x 110MM	1 PC
6		Handle	2 PCS

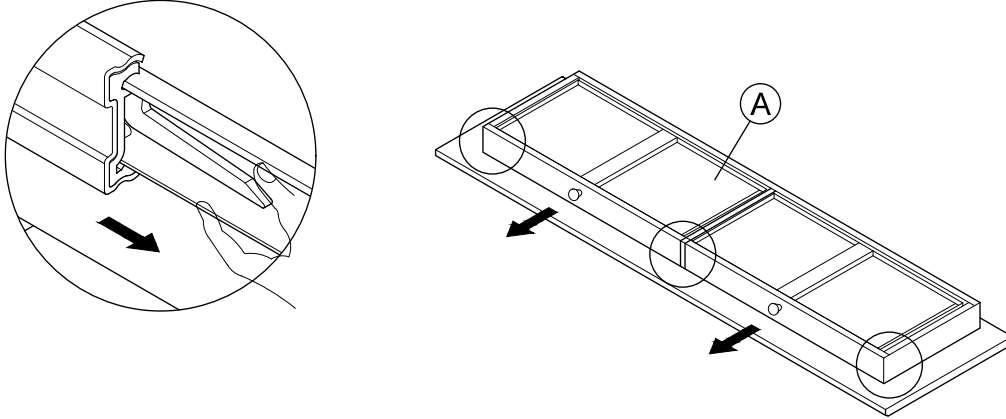
PART LIST			
NO		DESCRIPTION	QTY
A		TABLE TOP	1
B		TABLE LEG (R/L)	2
C		CENTER BAR	1
D		BOTTOM BAR	1

ASSEMBLY INSTRUCTION

MODEL: #5908-533 Table W/O Drop Leaf (V#12600CSES1)

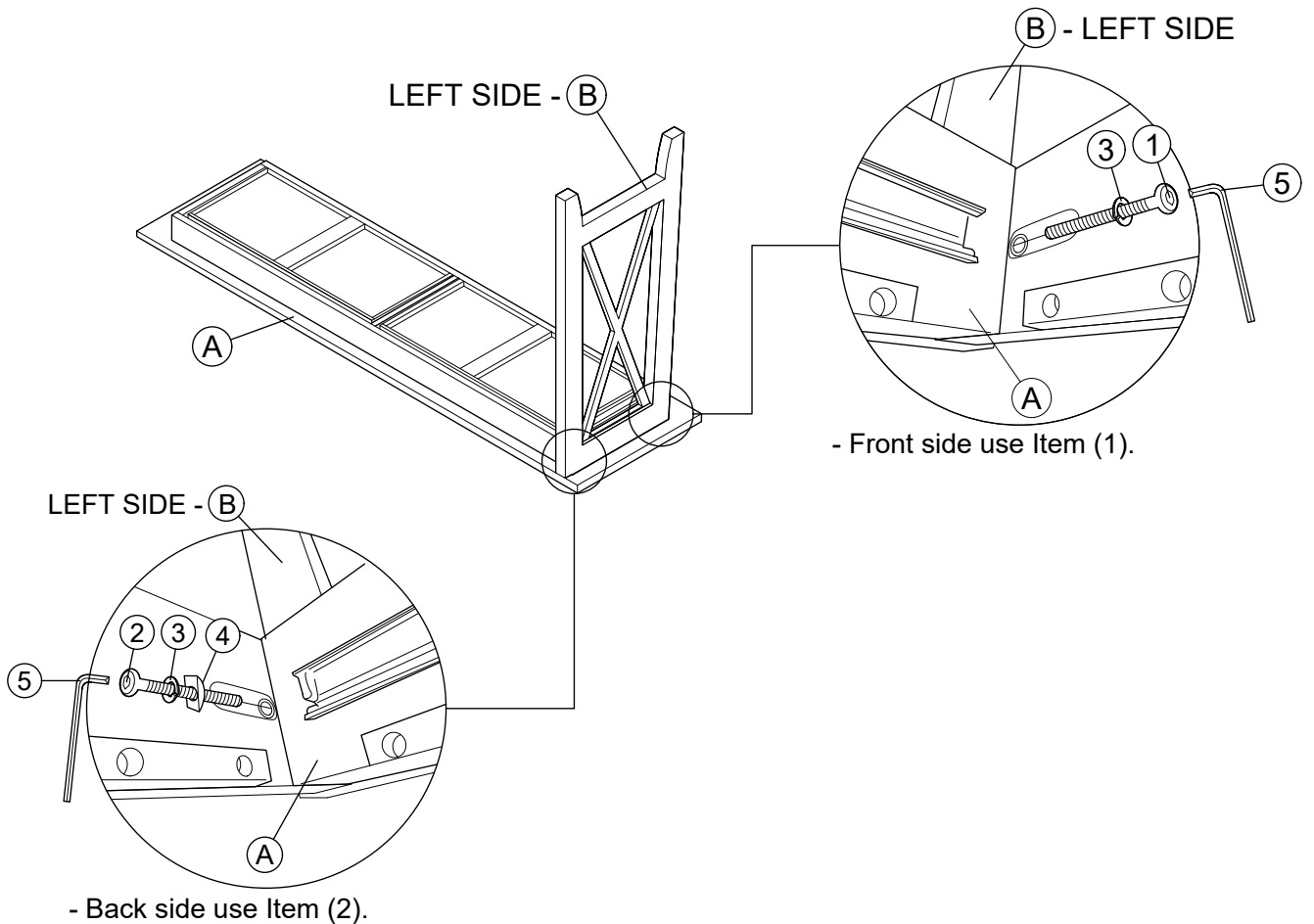
Step 1

Uninstall the drawer from Table Top (A) as shown.



Step 2

Install Table Leg (B) - Left Side to the Table Top (A) as shown below.
Tighten all hardware in this step.

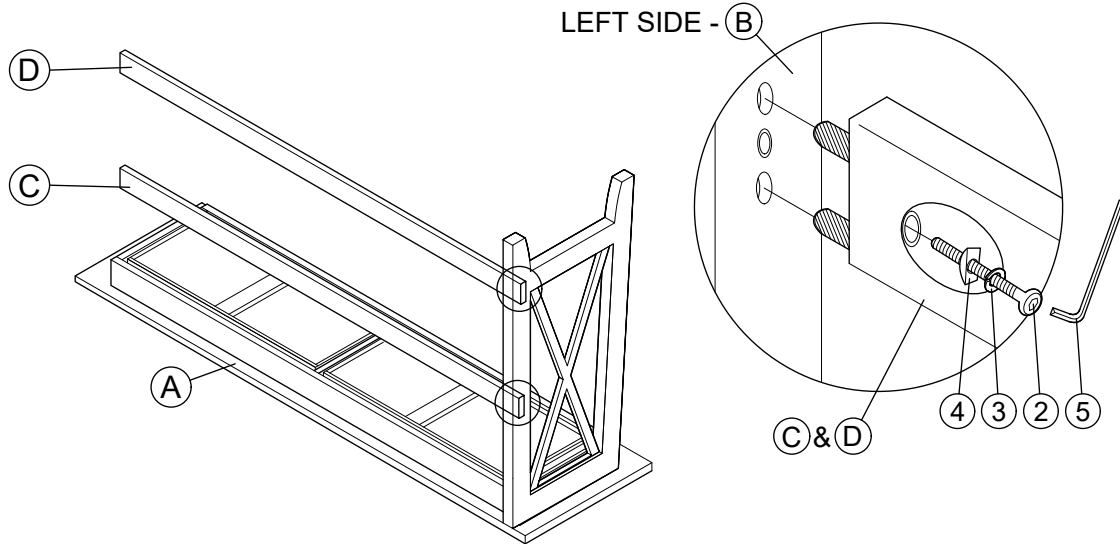


ASSEMBLY INSTRUCTION

MODEL: #5908-533 Table W/O Drop Leaf (V#12600CSE1)

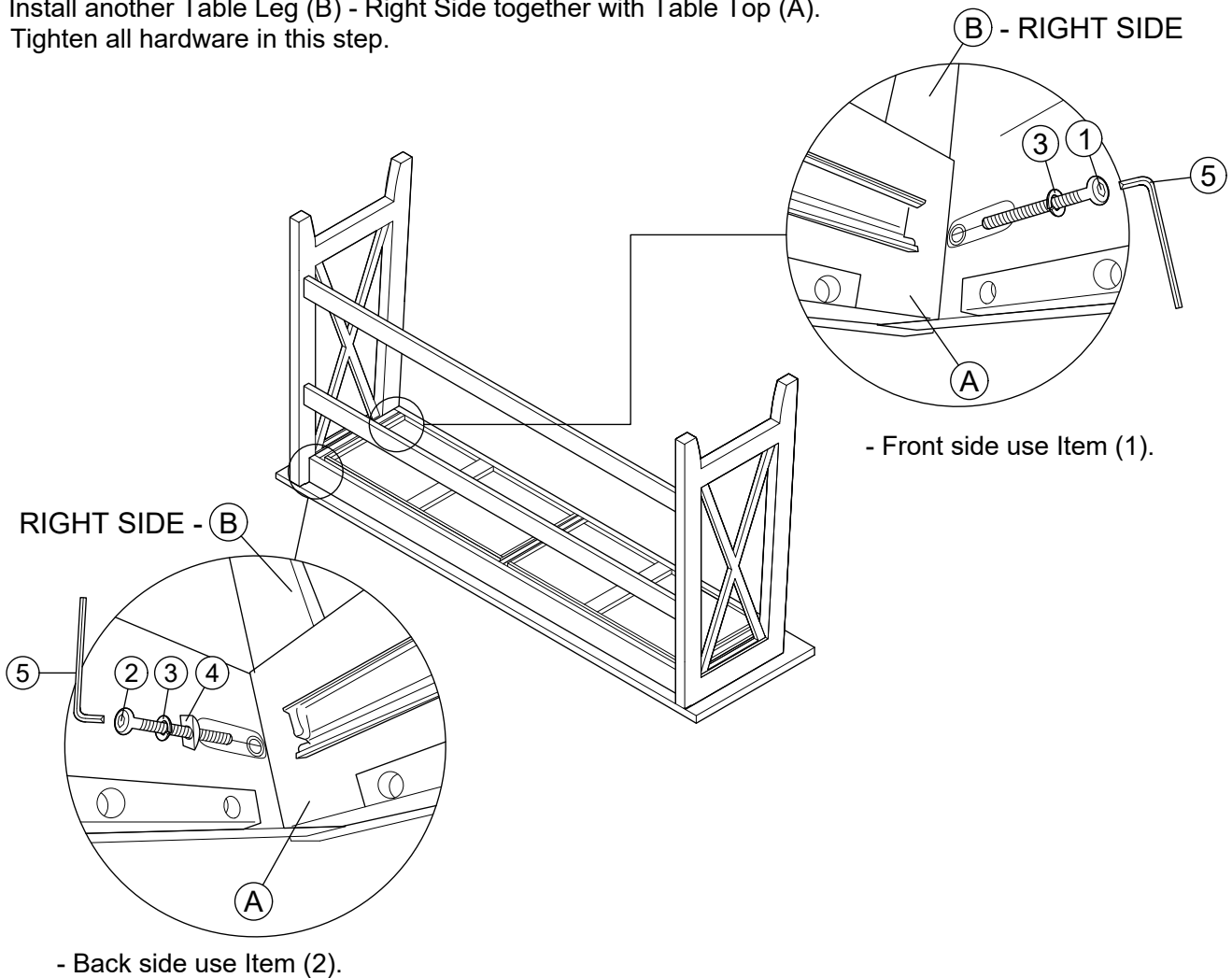
Step 3

Install Center Bar (C) and Bottom Bar (D) as shown below.
Tighten all hardware in this step.



Step 4

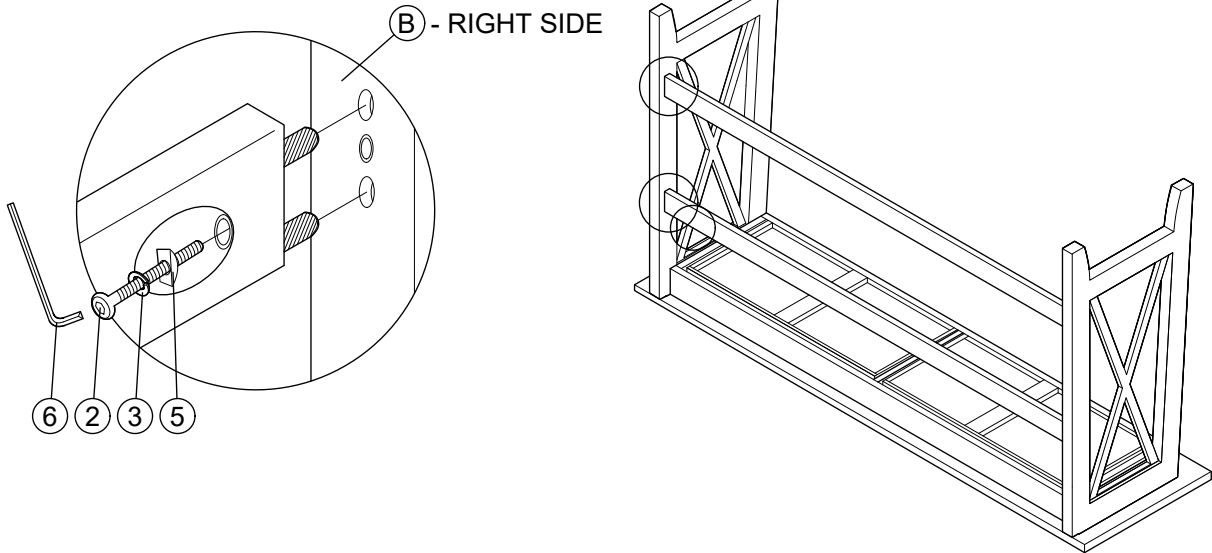
Install another Table Leg (B) - Right Side together with Table Top (A).
Tighten all hardware in this step.



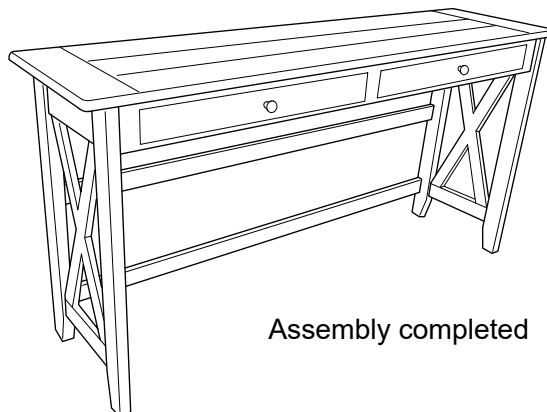
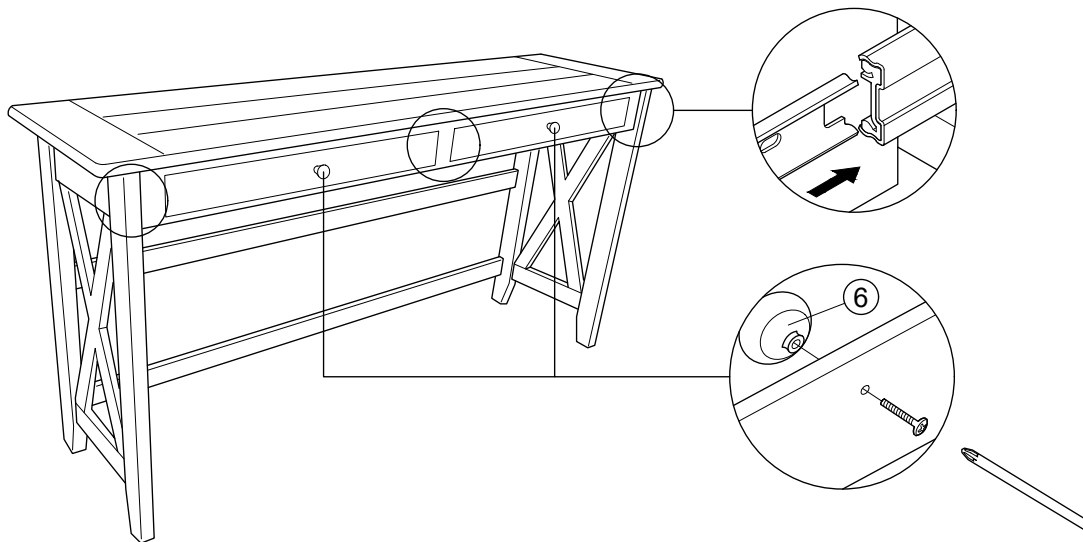
ASSEMBLY INSTRUCTION

MODEL: #5908-533 Table W/O Drop Leaf (V#12600CSES1)

Step 5
Tighten all hardware in this step.



Step 6
Install drawer again as shown below.



Assembly completed