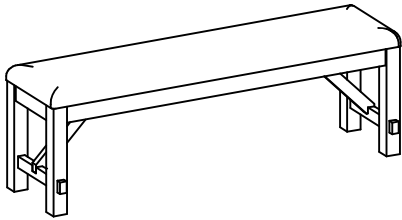






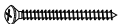
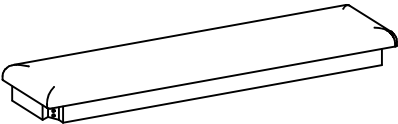
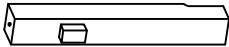
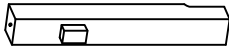
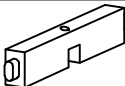
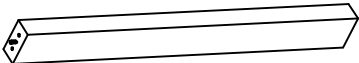


ASSEMBLY INSTRUCTION

MODEL: #5812 - 519 (V#12600VIF1)

**NOTE: THIS ITEM NOT RECOMMENDED FOR COMMERCIAL USE
KEEP THIS DOCUMENT FOR REFERENCE IN CASE PARTS ARE NEEDED
DO NOT TIGHTEN SCREWS UNTIL COMPLETELY ASSEMBLED !!**

PART LIST			
	1		1/4" x 63.5MM 8PCS
	2		1/4" x 38MM 4PCS
	3		2 x 1/4" x 11MM 12PCS
	4		2 x 1/4" x 12MM 4PCS
	5		2 x 1/4" x 16MM 8PCS
	6		4MM 1PC
	7		8# x 1 1/4" 4PCS

PART LIST			
NO.		DESCRIPTION	QTY
A		SEAT FRAME	1PC
B		LEGS(R)	2PCS
C		LEGS(R)	2PCS
D		STRETCHERS	2PCS
E		V BAR	2PCS

ASSEMBLY INSTRUCTION

MODEL: #5812 - 519 (V#12600VIF1)

**NOTE: THIS ITEM NOT RECOMMENDED FOR COMMERCIAL USE
KEEP THIS DOCUMENT FOR REFERENCE IN CASE PARTS ARE NEEDED
DO NOT TIGHTEN SCREWS UNTIL COMPLETELY ASSEMBLED !!**

