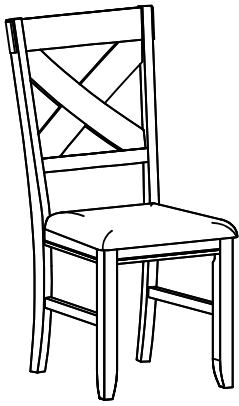






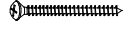



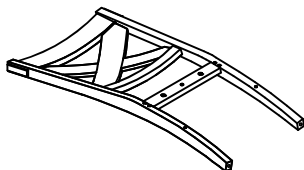
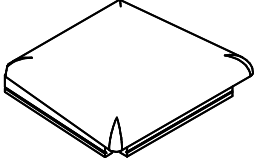
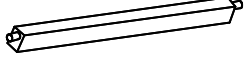
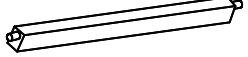


ASSEMBLY INSTRUCTION

MODEL: #5812 - 510 (V#12600VIF1)

**NOTE: THIS ITEM NOT RECOMMENDED FOR COMMERCIAL USE
KEEP THIS DOCUMENT FOR REFERENCE IN CASE PARTS ARE NEEDED**

DO NOT TIGHTEN SCREWS UNTIL COMPLETELY ASSEMBLED !!

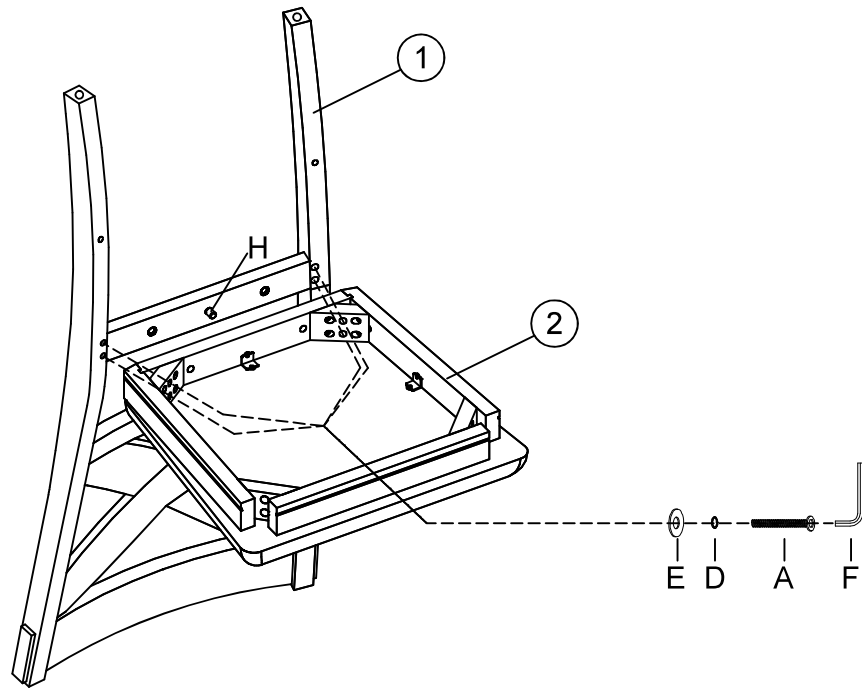
PART LIST				
	A		1/4" x 75MM	4PCS
	B		1/4" x 63.5MM	4PCS
	C		1/4" x 38MM	2PCS
	D		1 x 1/4" x 11MM	10PCS
	E		2 x 1/4" x 22MM	10PCS
	F		4MM	1PC
	G		8# x 1 1/4"	4PCS
	H		10# x 30MM	4PCS

PART LIST			
NO			QTY
1		CHAIR BACK	1PC
2		BOTTOM PANEL	1PC
3		RIGHT STRETCHER	1PC
4		LEFT STRETCHER	1PC
5		RIGHT LEG	1PC
6		LEFT LEG	1PC

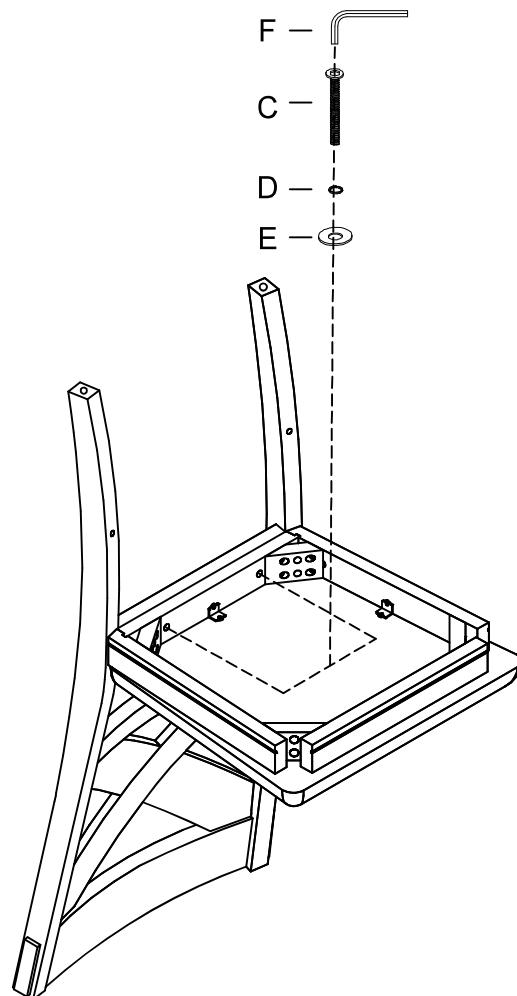
ASSEMBLY INSTRUCTION

MODEL: #5812 - 510 (V#12600VIF1)

Step 1.



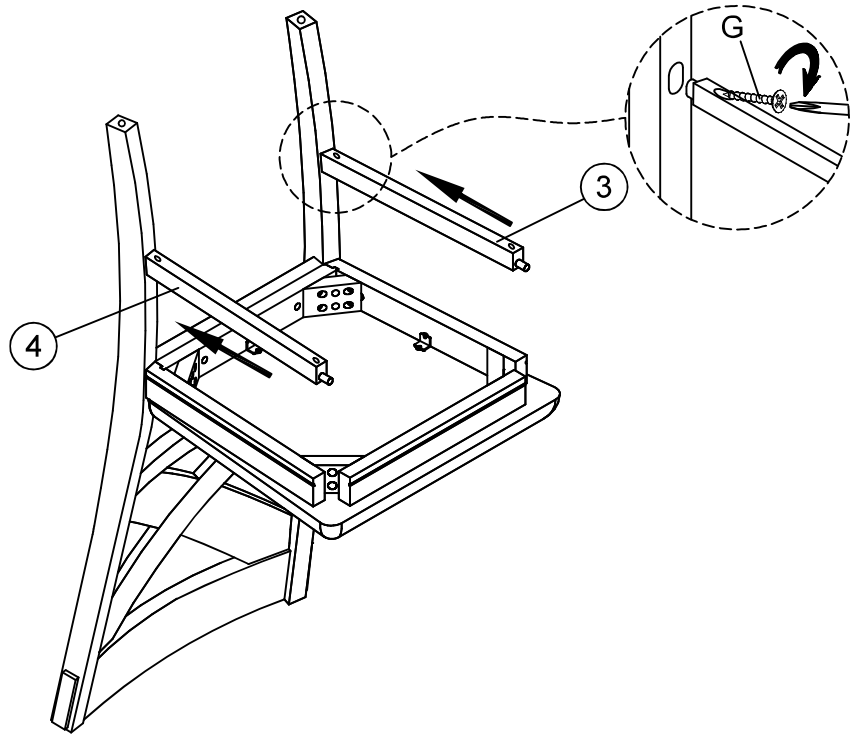
Step 2.



ASSEMBLY INSTRUCTION

MODEL: #5812 - 510 (V#12600VIF1)

Step 3.



Step 4.

