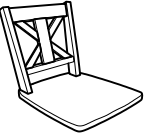



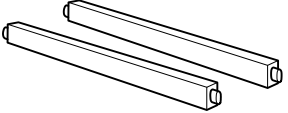



ASSEMBLY INSTRUCTION

MODEL: #5800-541 Summerville II Swivel Counter Stool (V#12600CSES1)

**NOTE: THIS ITEM NOT RECOMMENDED FOR COMMERCIAL USE
KEEP THIS DOCUMENT FOR REFERENCE IN CASE PARTS ARE NEEDED
DO NOT TIGHTEN SCREWS UNTIL COMPLETELY ASSEMBLED**

HARDWARE LIST			
NO	ITEM	DESCRIPTION	QTY
1		JCBC BOLT M6 x 50MM	8 PCS
2		JCBC BOLT M6 x 20MM	4 PCS
3		SPRING WASHER M6	12 PCS
4		FLAT WASHER M6 x 16MM	12 PCS
5		CSK SCREW M4 x 38MM	8 PCS
6		ALLEN KEY M4 x 110MM	1 PC

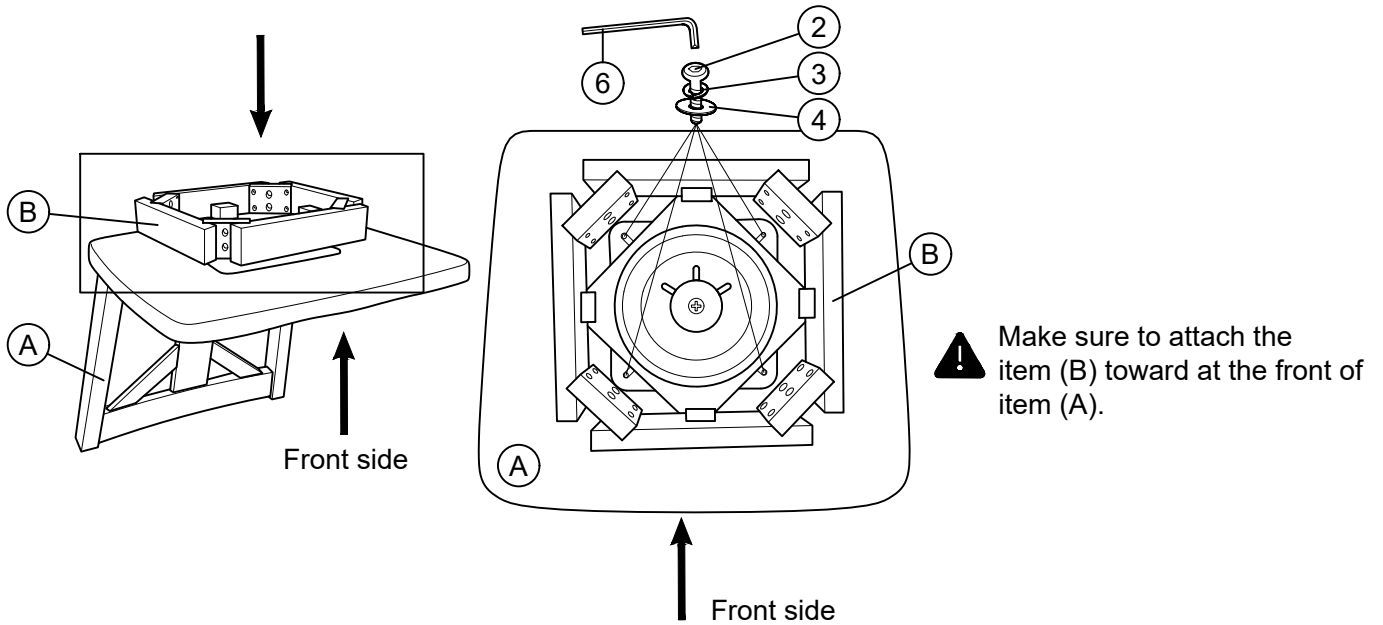
PART LIST			
NO	ITEM	DESCRIPTION	QTY
A		BACKREST	1
B		BOX SEAT WITH SWIVEL	1
C		RIGHT LEG	2
D		LEFT LEG	2
E		FRONT & BACK STRETCHER (LONG)	2
F		SIDE STRETCHER (SHORT)	2

ASSEMBLY INSTRUCTION

MODEL: #5800-541 Summerville II Swivel Counter Stool (V#12600CSES1)

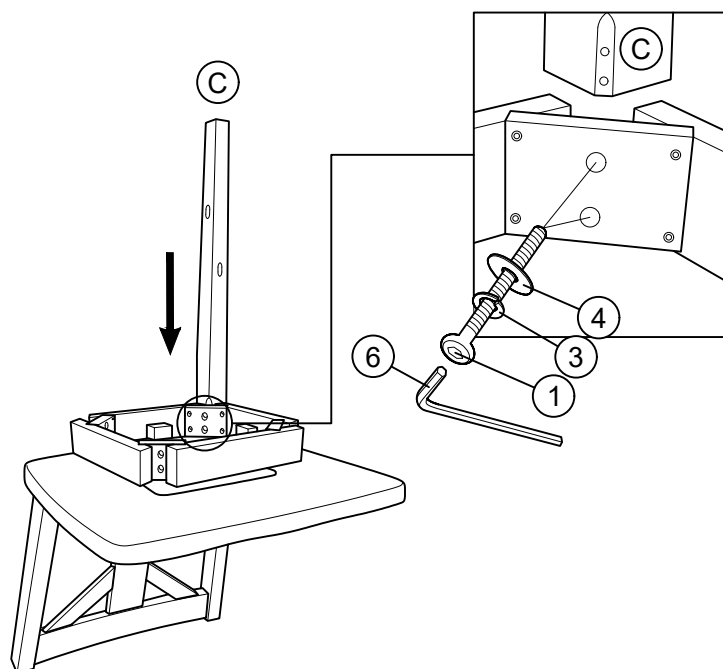
Step 1

Install item (B) to the item (A) as shown below.
Tighten all Hardware in this step.



Step 2

Install item (C) as shown below.
Do not tighten the hardware.

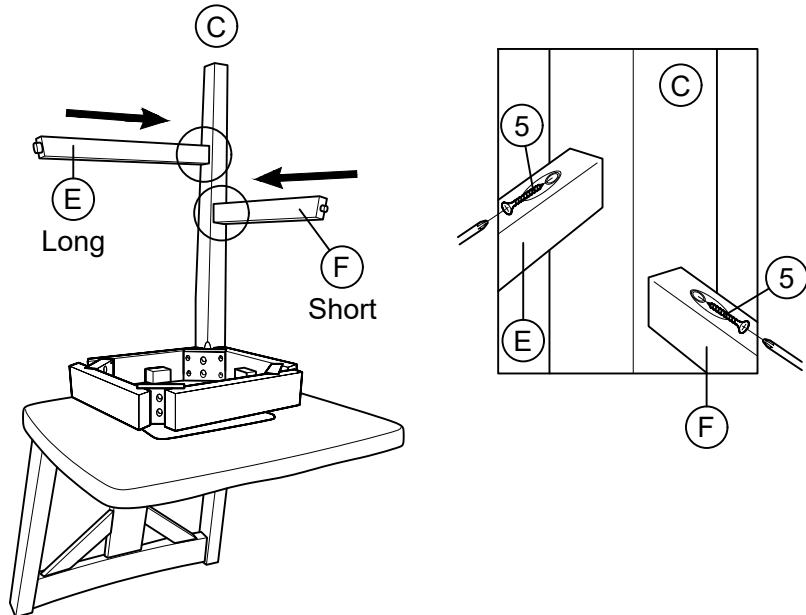


ASSEMBLY INSTRUCTION

MODEL: #5800-541 Summerville II Swivel Counter Stool (V#12600CSES1)

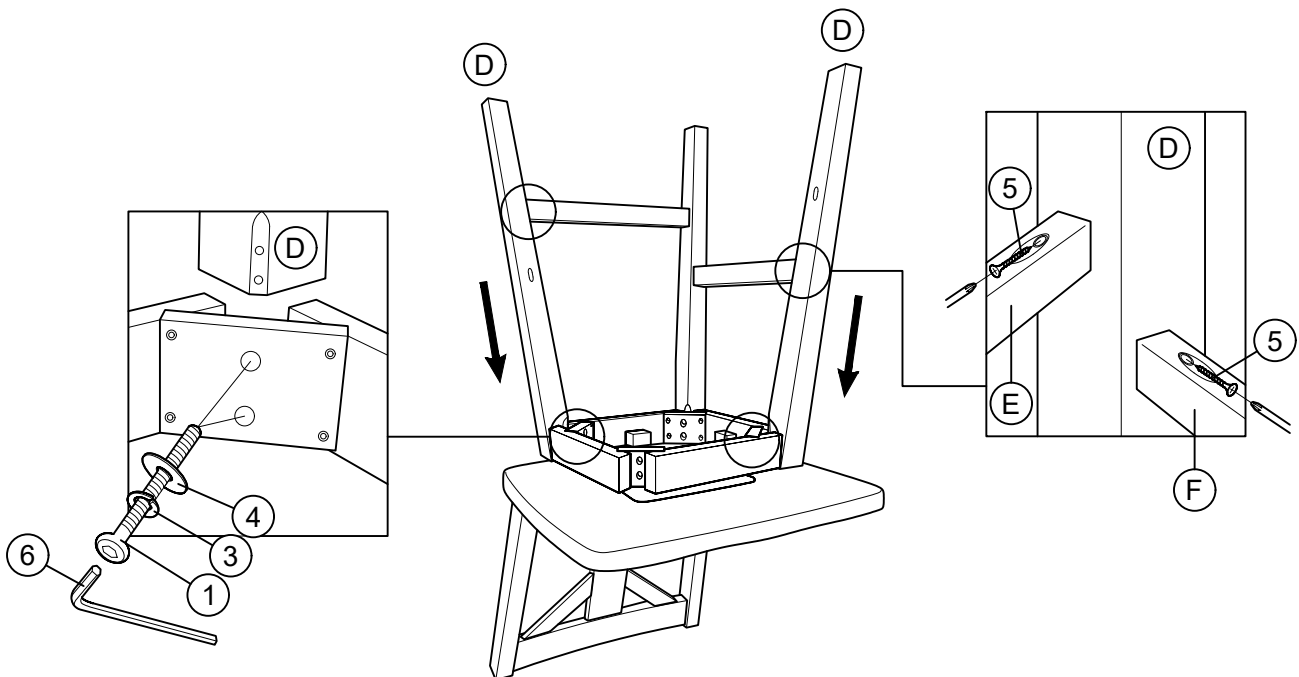
Step 3

Install both item (E) and (F) as shown below.
Do not tighten the hardware.



Step 4

Install both item (D) as shown below.
Do not tighten the hardware.

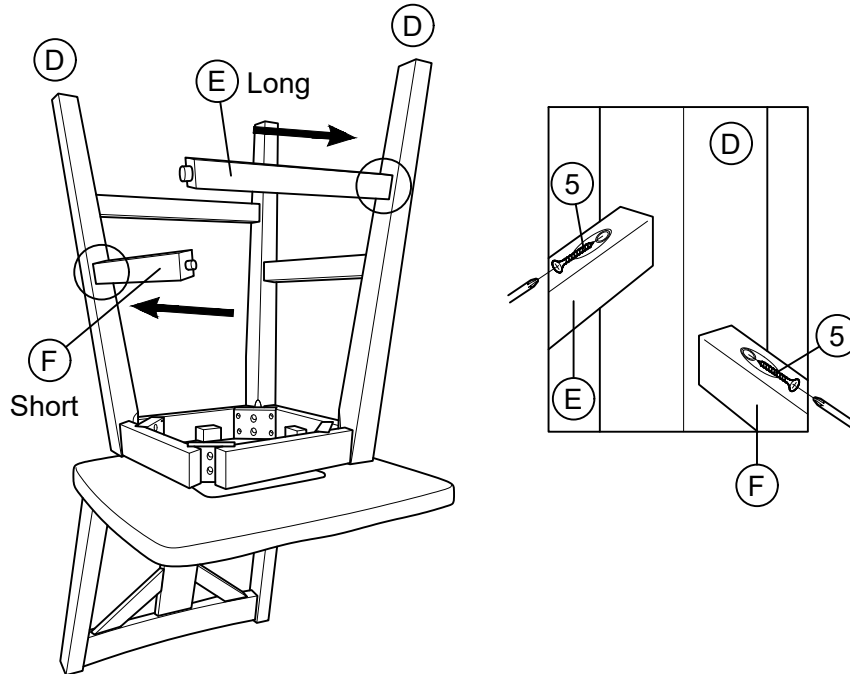


ASSEMBLY INSTRUCTION

MODEL: #5800-541 Summerville II Swivel Counter Stool (V#12600CSES1)

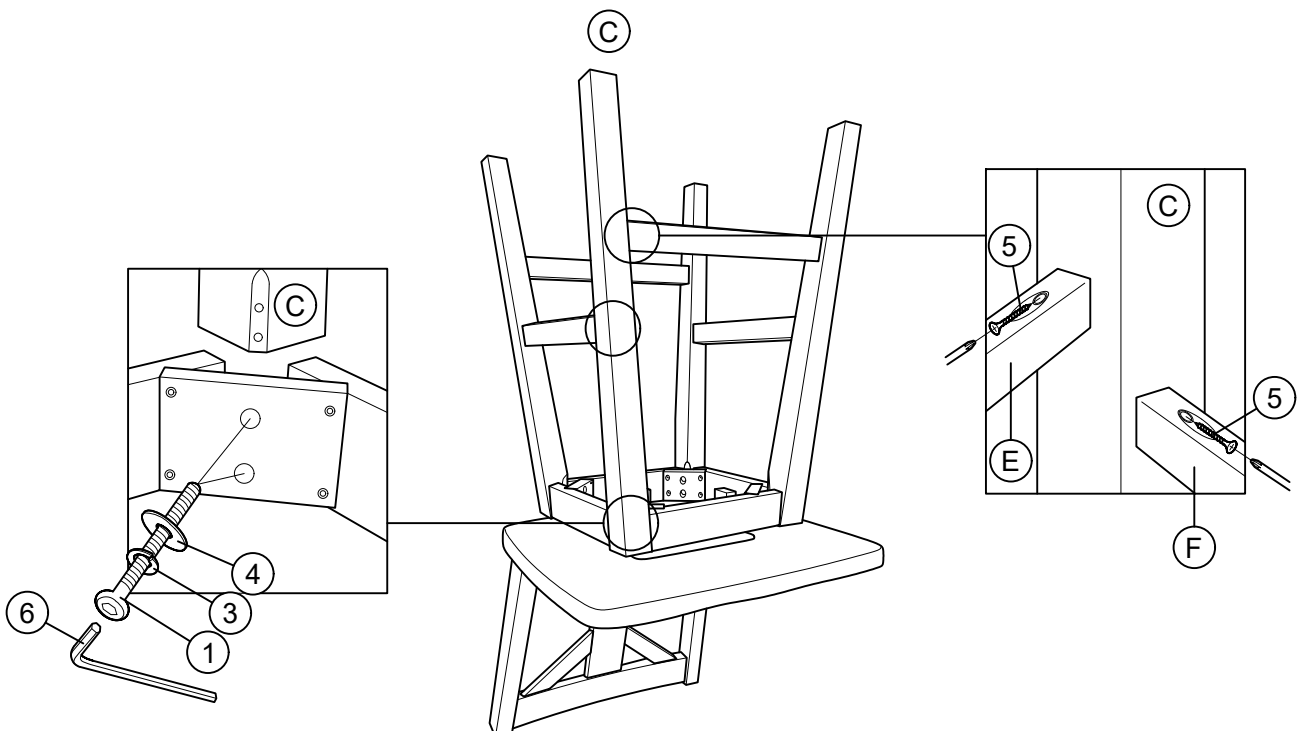
Step 5

Install both item (E) and (F) as shown below.
Do not tighten the hardware.



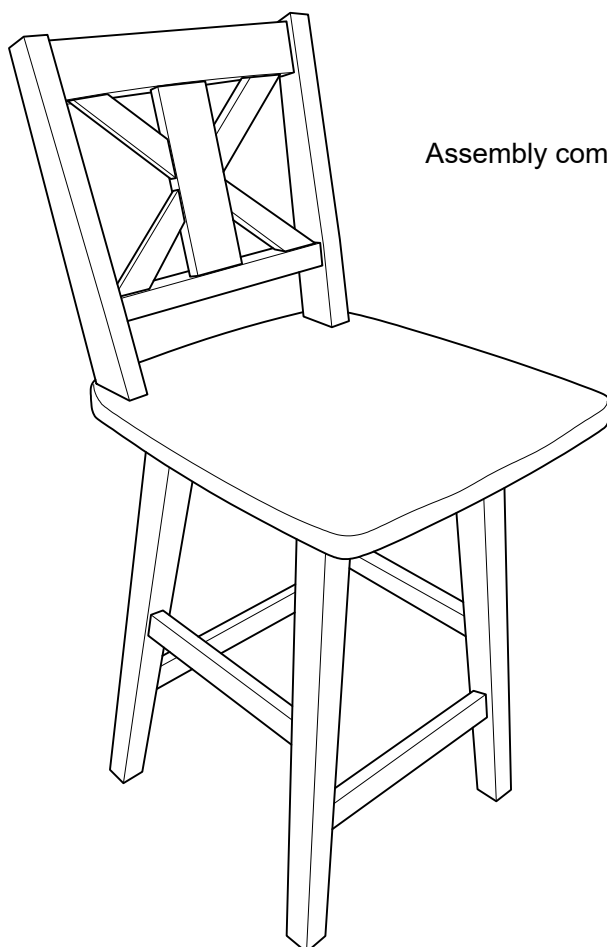
Step 6

Install item (C) as shown below.
Make sure to tighten all hardware.



ASSEMBLY INSTRUCTION

MODEL: #5800-541 Summerville II Swivel Counter Stool (V#12600CSES1)



Assembly completed