
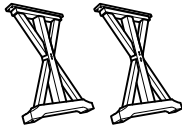



## ASSEMBLY INSTRUCTION

MODEL: #5800-530 Summerville II Counter Dining Table (V#12600CSES1)

**NOTE: THIS ITEM NOT RECOMMENDED FOR COMMERCIAL USE  
KEEP THIS DOCUMENT FOR REFERENCE IN CASE PARTS ARE NEEDED  
DO NOT TIGHTEN SCREWS UNTIL COMPLETELY ASSEMBLED**

HARDWARE LIST			
NO	ITEM	DESCRIPTION	QTY
1		JCBC BOLT M6 x 70MM	4 PCS
2		JCBC BOLT M6 x 35MM	8 PCS
3		SPRING WASHER M6	12 PCS
4		ALLEN KEY M4 x 110MM	1 PC
5		CROSS BAR COVER	2 PCS

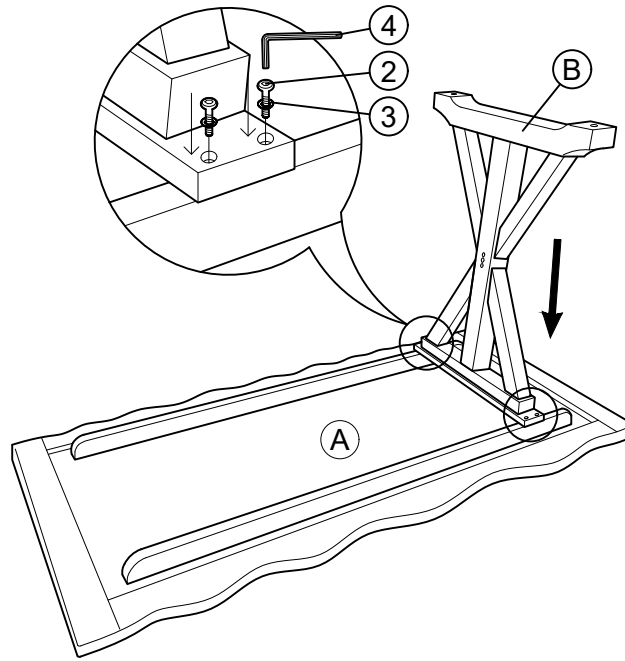
PART LIST			
NO	ITEM	DESCRIPTION	QTY
A		TABLE TOP	1
B		TABLE LEG	2
C		CROSS BAR	1

## ASSEMBLY INSTRUCTION

MODEL: #5800-530 Summerville II Counter Dining Table (V#12600CSES1)

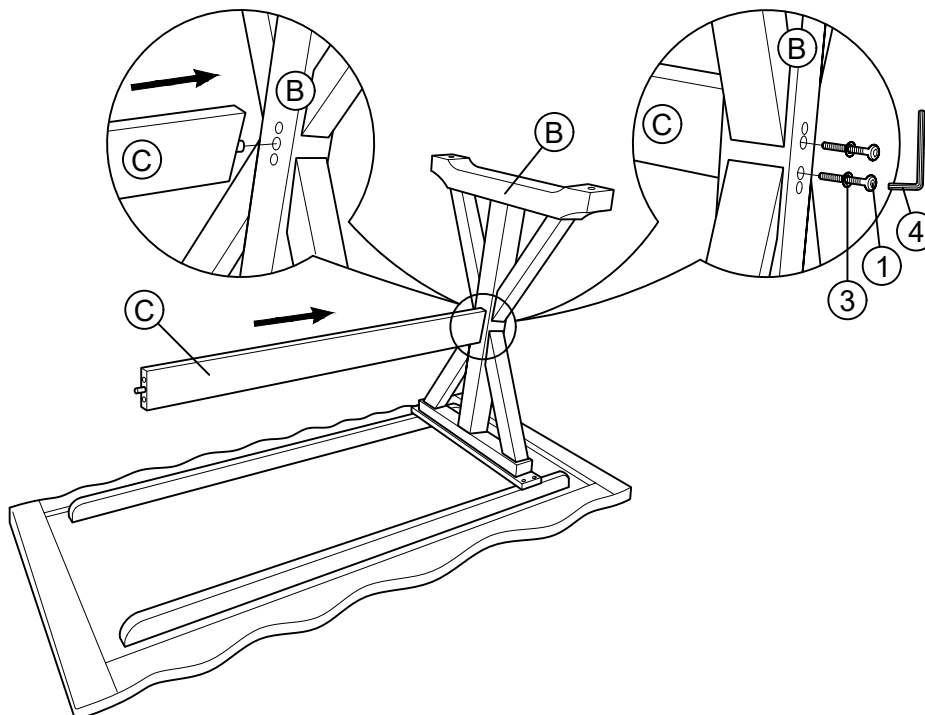
### Step 1

Install item (B) to the item (A) as shown below.  
Tighten all hardware in this step.



### Step 2

Install item (C) to the item (B) as shown below.  
Tighten all hardware in this step.

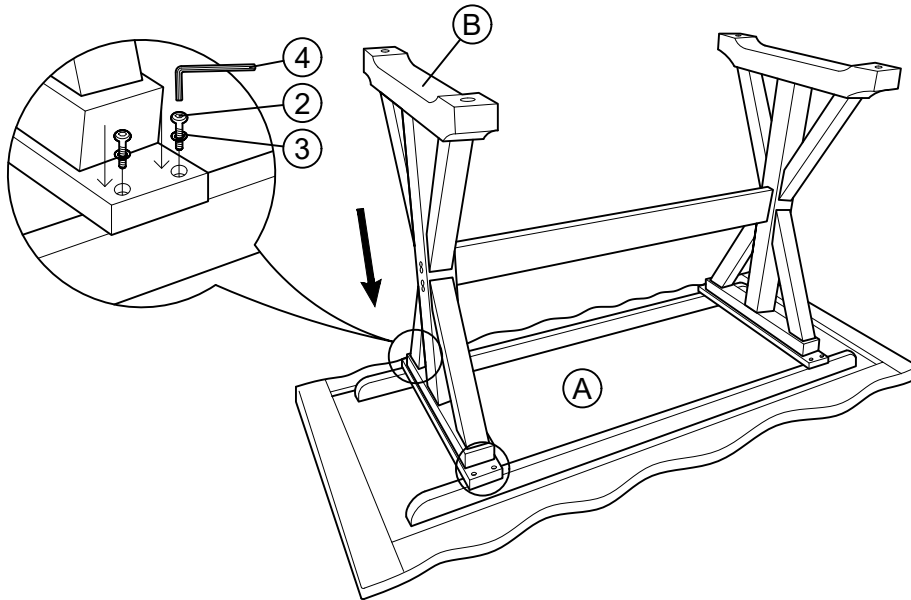


## ASSEMBLY INSTRUCTION

MODEL: #5800-530 Summerville II Counter Dining Table (V#12600CSES1)

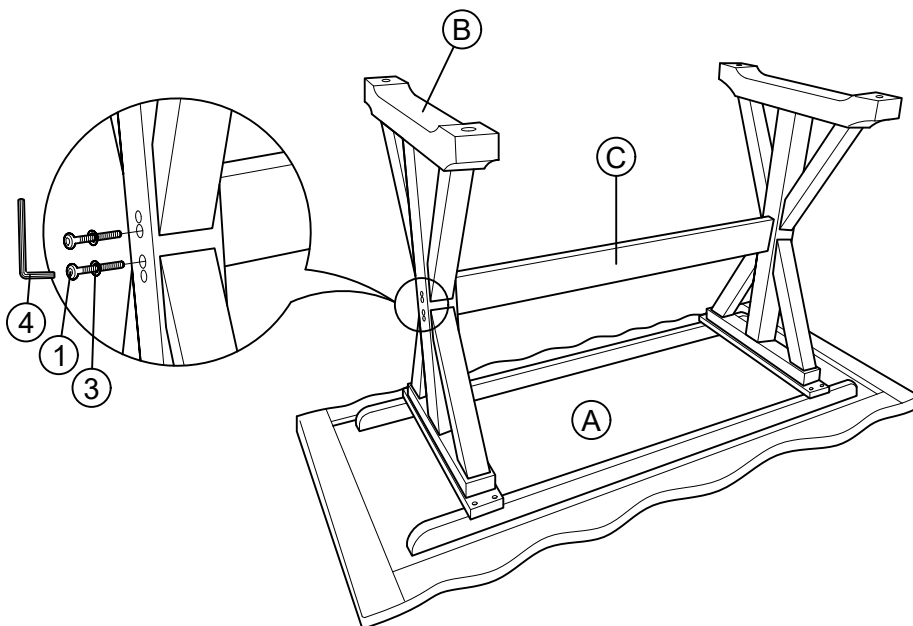
### Step 3

Install another item (B) to the item (A) as shown below.  
Tighten all hardware in this step.



### Step 4

Tighten all hardware in this step.

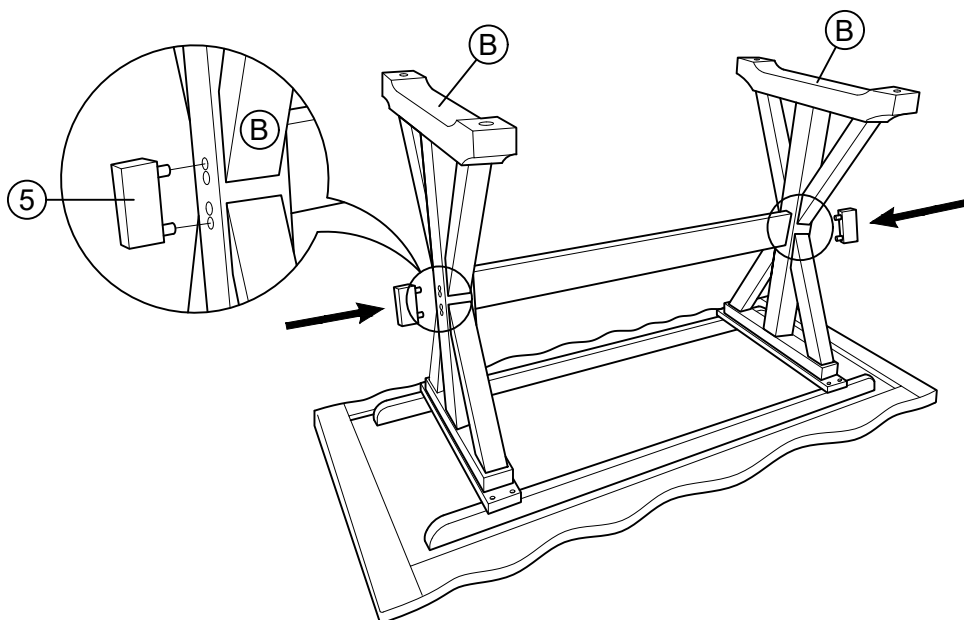


## ASSEMBLY INSTRUCTION

MODEL: #5800-530 Summerville II Counter Dining Table (V#12600CSES1)

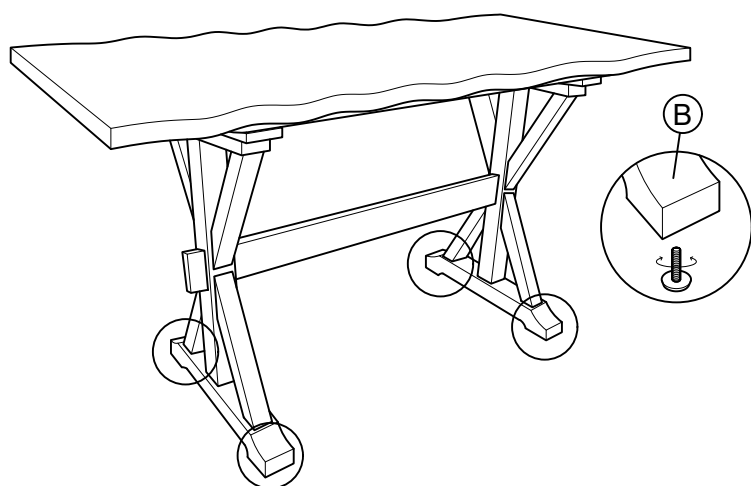
### Step 5

Install item (5) to the item (B) as shown below.

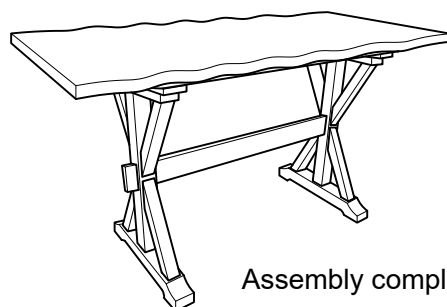


### Step 6

Adjust the table glide at the item (B) to make the table even.



Turn clockwise and counterclockwise to make the table balance.



Assembly completed