

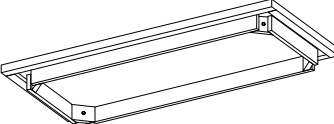
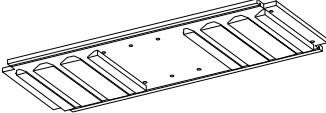

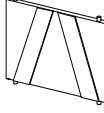
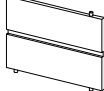
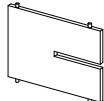
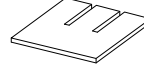
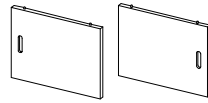
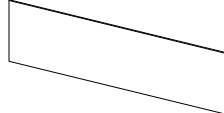
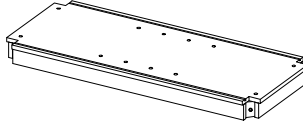
ASSEMBLY INSTRUCTION

MODEL: #5640 / 5648 (V#12600VIF1)

**NOTE: THIS ITEM NOT RECOMMENDED FOR COMMERCIAL USE
KEEP THIS DOCUMENT FOR REFERENCE IN CASE PARTS ARE NEEDED**

DO NOT TIGHTEN SCREWS UNTIL COMPLETELY ASSEMBLED !!

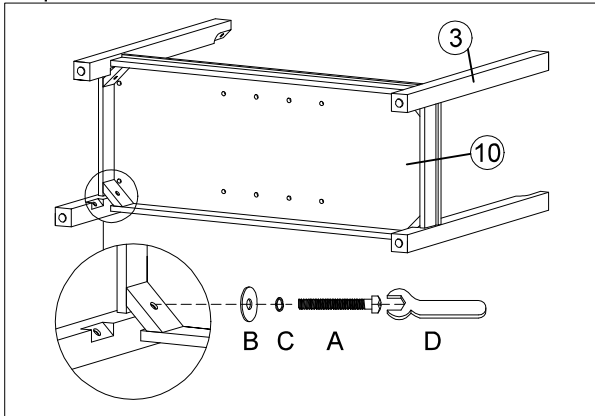
HARDWARE LIST			
NO		DESCRIPTION	QTY
A		BOLT 5/16" x 63	8PCS
B		WASHER 2 x 5/16" x 22	8PCS
C		LOCK WASHER 2 x 5/16" x 12	8PCS
D		WRENCH 12mm	1PC

PART LIST			
NO			QTY
1		TABLE TOP	1PC
2		TOP PANEL	1PC
3		LEG	4PCS
4		SIDE PANEL	2PCS
5		SIDE PANEL WINE RACK	2PCS
6		VERTICAL WINE RACK	2PCS
7		MIDDLE PANEL	1PC
8		DOOR PANEL	2PCS
9		BACK PANEL	1PC
10		BOTTOM PANEL	1PC

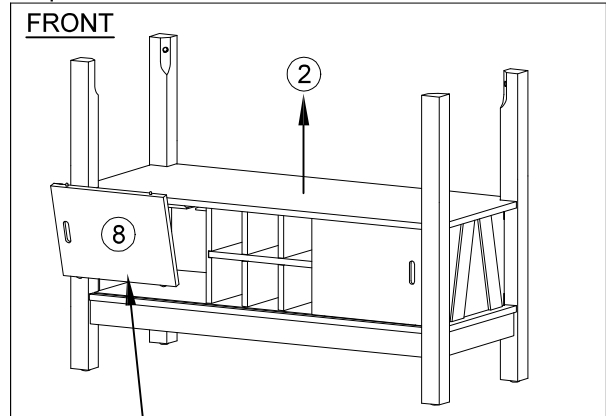
ASSEMBLY INSTRUCTION

MODEL: #5640 / 5648 (V#12600VIF1)

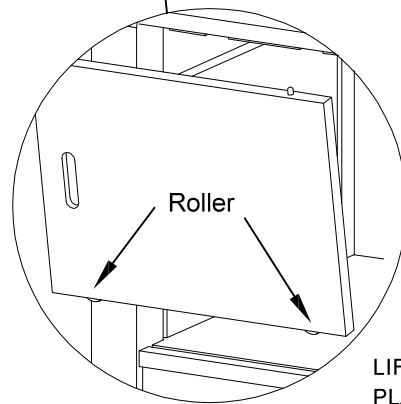
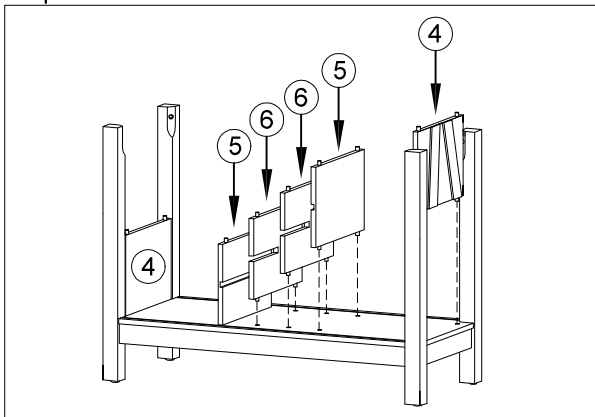
Step 1.



Step 5.

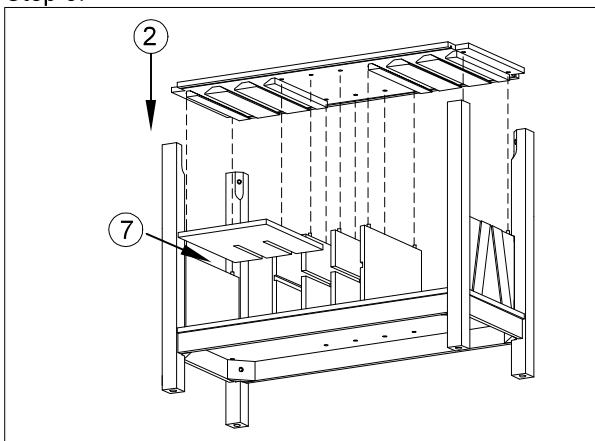


Step 2.

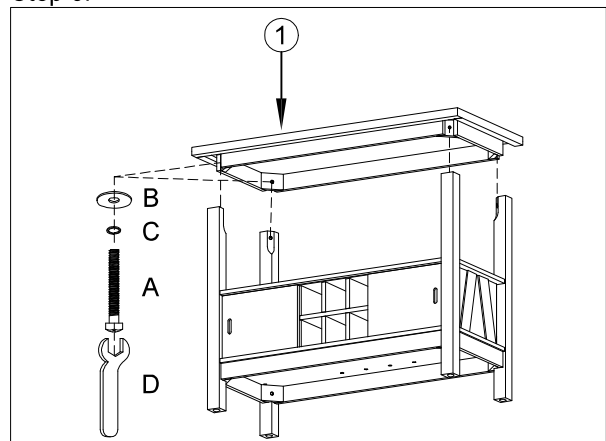


LIFT UP TOP PANEL (2) TO PLACE THE DOOR PANEL (8) INTO THE FLUTE

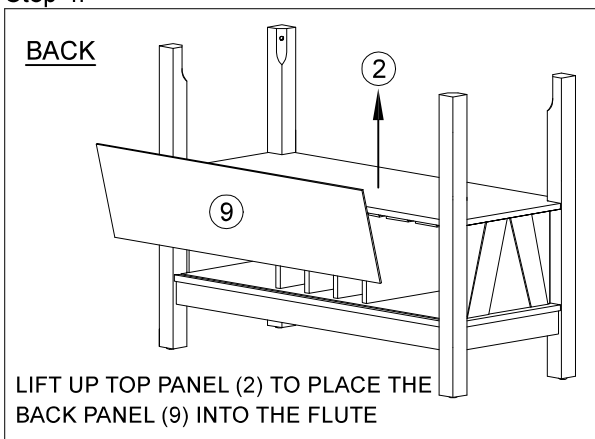
Step 3.



Step 6.



Step 4.



BACK

LIFT UP TOP PANEL (2) TO PLACE THE BACK PANEL (9) INTO THE FLUTE

