

ASSEMBLY INSTRUCTIONS

MODEL#:4880-530 (V#12600JDG1)

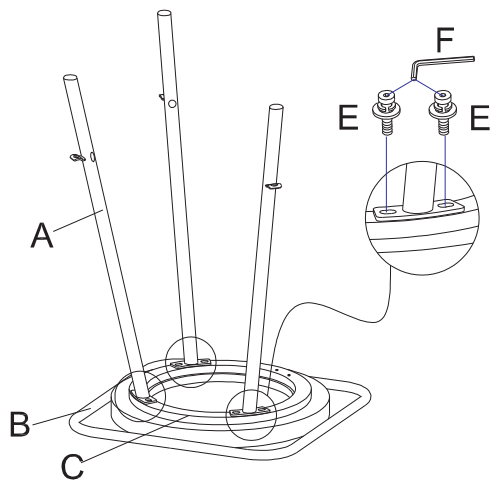
NOTE: THIS ITEM NOT RECOMMENDED FOR COMMERCIAL USE

KEEP THIS DOCUMENT FOR REFERENCE IN CASE PARTS ARE NEEDED

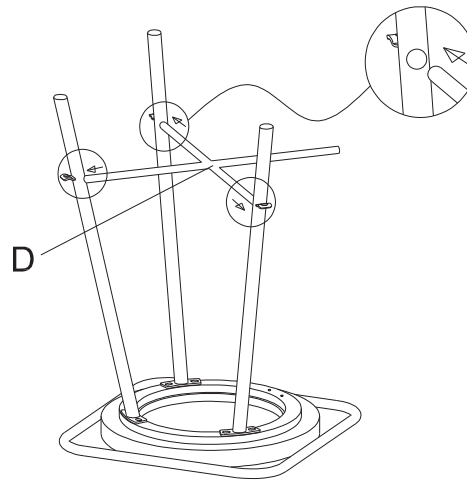
DO NOT TIGHTEN SCREWS UNTIL COMPLETELY ASSEMBLED !!

NO	DESCRIPTION		Q' TY
A	CHAIR LEGS	22-3/4" X 2-1/2"	4
B	STRETCHER RING	16" X 16"	1
C	SEAT	Ø13-3/4" X 1-3/4"	1
D	STRETCHER	13" X 13"	1
E	BOLT	Ø1/4" X 5/8"	12
F	ALLEN KEY	4mm	1

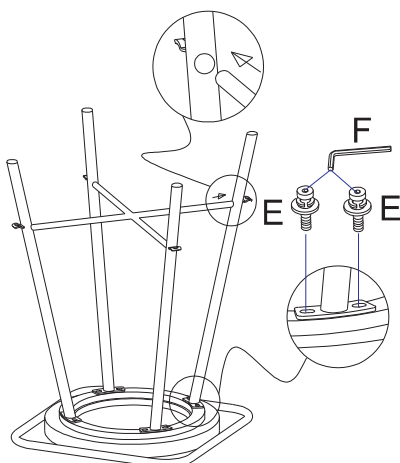
STEP 1



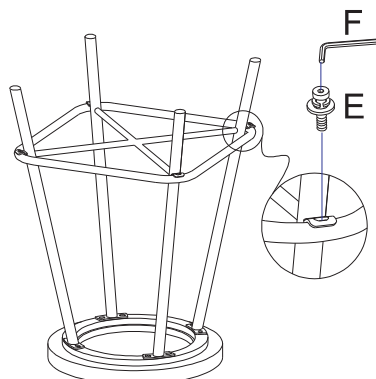
STEP 2



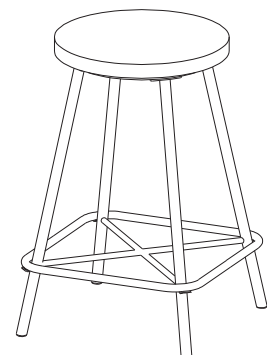
STEP 3



STEP 4



STEP 5



ASSEMBLY INSTRUCTIONS

MODEL#:4880-530(V#12600JDG1)

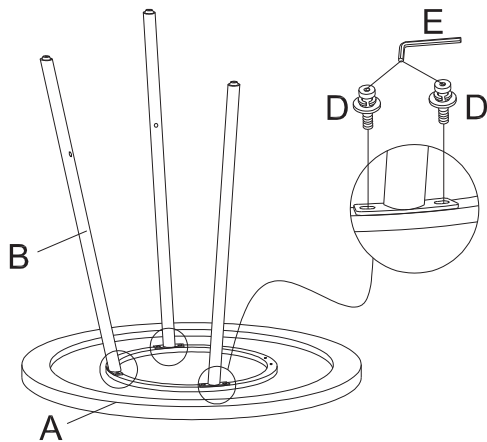
NOTE:THIS ITEM NOT RECOMMENDED FOR COMMERCIAL USE

KEEP THIS DOCUMENT FOR REFERENCE IN CASE PARTS ARE NEEDED

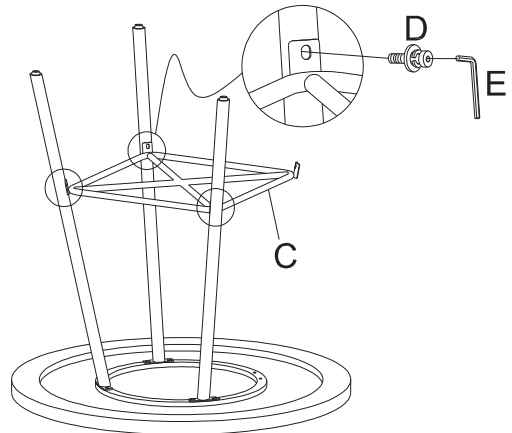
DO NOT TIGHTEN SCREWS UNTIL COMPLETELY ASSEMBLED !!

NO	DESCRIPTION		Q' TY
A	TABLE TOP	Ø36" X 1-3/8"	1
B	TABLE LEGS	35-1/4" X 3"	4
C	STRETCHER	19-1/4" X 19-1/4"	1
D	BOLT	Ø1/4" X 5/8"	12
E	ALLEN KEY	4mm	1

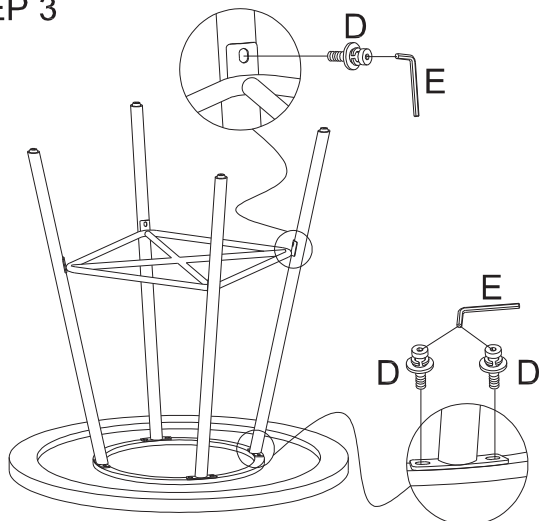
STEP 1



STEP 2



STEP 3



STEP 4

