
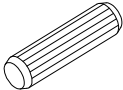



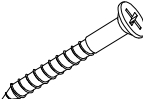
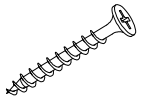
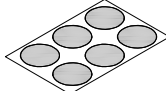
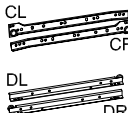


# ASSEMBLY INSTRUCTION

**MODEL: #403-715 TAUPE OAK DESK (V#12600MCHA1)**

**NOTE: THIS ITEM NOT RECOMMENDED FOR COMMERCIAL USE  
KEEP THIS DOCUMENT FOR REFERENCE IN CASE PARTS ARE NEEDED  
DO NOT TIGHTEN SCREWS UNTIL COMPLETELY ASSEMBLED**

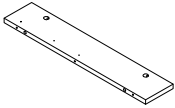
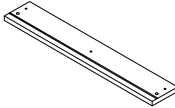
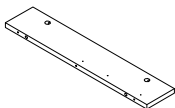
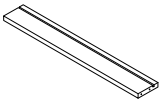
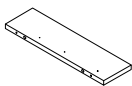
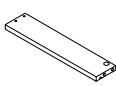
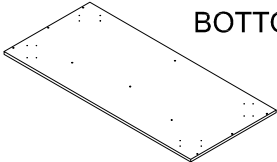

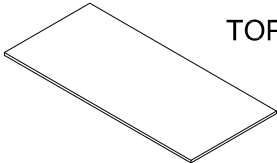
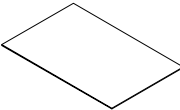
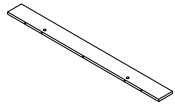
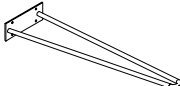
## HARDWARE LIST

NO	ITEM	DESCRIPTION	QTY	NO	ITEM	DESCRIPTION	QTY
1		GLUE 40g	1 PC	8		GLIDES SCREW ø3x10mm	24 PCS
2		WOODEN DOWEL ø8x30mm	24 PCS	9		HANDLE	2 PCS
3		CAM BOLT ø7x35.5mm	12 PCS	10		HANDLE BOLT	2 PCS
4		CAM LOCK ø15x12mm	12 PCS	11		SCREW ø5x19mm	16 PCS
5		SCREW ø4.5x42mm	10 PCS	12		PLASTIC FEET	4 PCS
6		SCREW ø4.3x35mm	8 PCS	13		STICKER ø20mm	2 PCS
7		GLIDES 350mm	2 SET				

# ASSEMBLY INSTRUCTION

MODEL: #403-715 TAUPE OAK DESK (V#12600MCHA1)

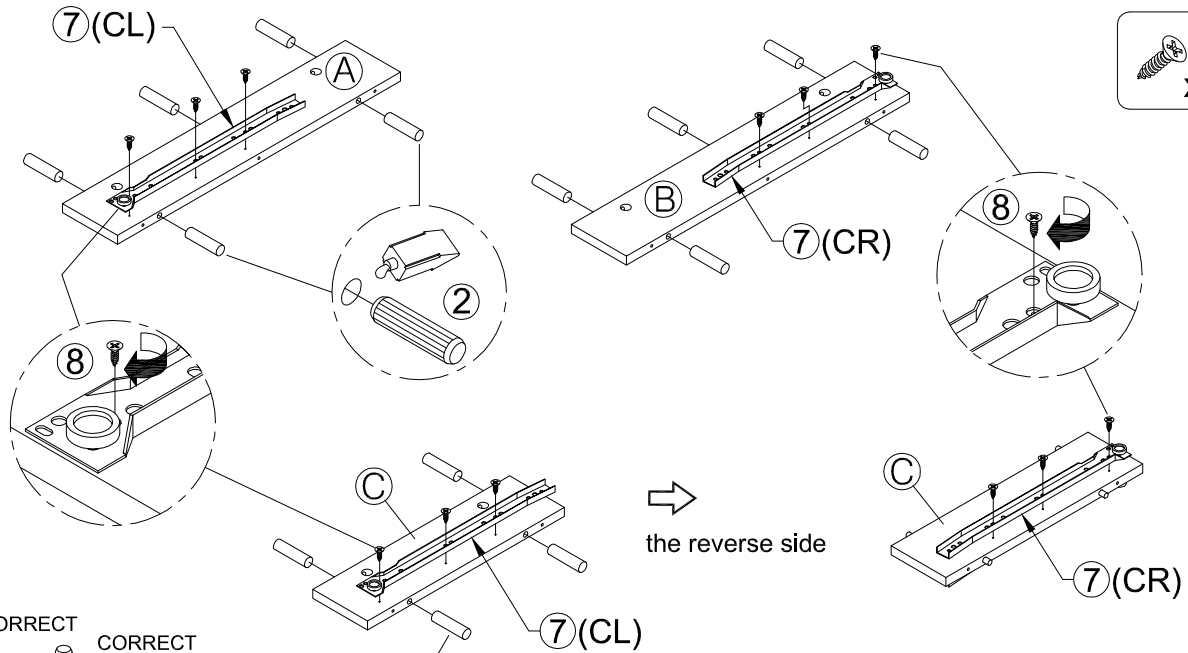
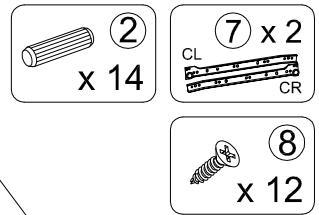
## PART LIST

NO	ITEM	DESCRIPTION	QTY	NO	ITEM	DESCRIPTION	QTY
A		LEFT SIDE PANEL	1 PC	G		DRAWER FRONT PANEL	2 PCS
B		RIGHT SIDE PANEL	1 PC	H		DRAWER BACK PANEL	2 PCS
C		MIDDLE DIVIDE PANEL	1 PC	I		LEFT DRAWER SIDE PANEL	2 PCS
D		BOTTOM PANEL	1 PC	J		RIGHT DRAWER SIDE PANEL	2 PCS
E		TOP PANEL	1 PC	K		DRAWER BOTTOM PANEL	2 PCS
F		BACK PANEL	1 PC	L		LEG	4 PCS

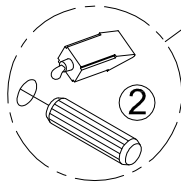
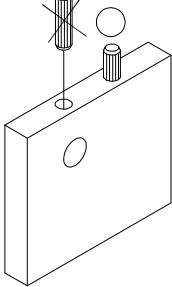
# ASSEMBLY INSTRUCTION

MODEL: #403-715 TAUPE OAK DESK (V#12600MCHA1)

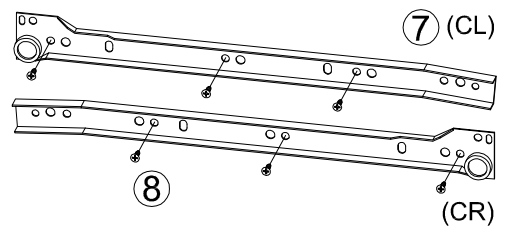
## Step 1



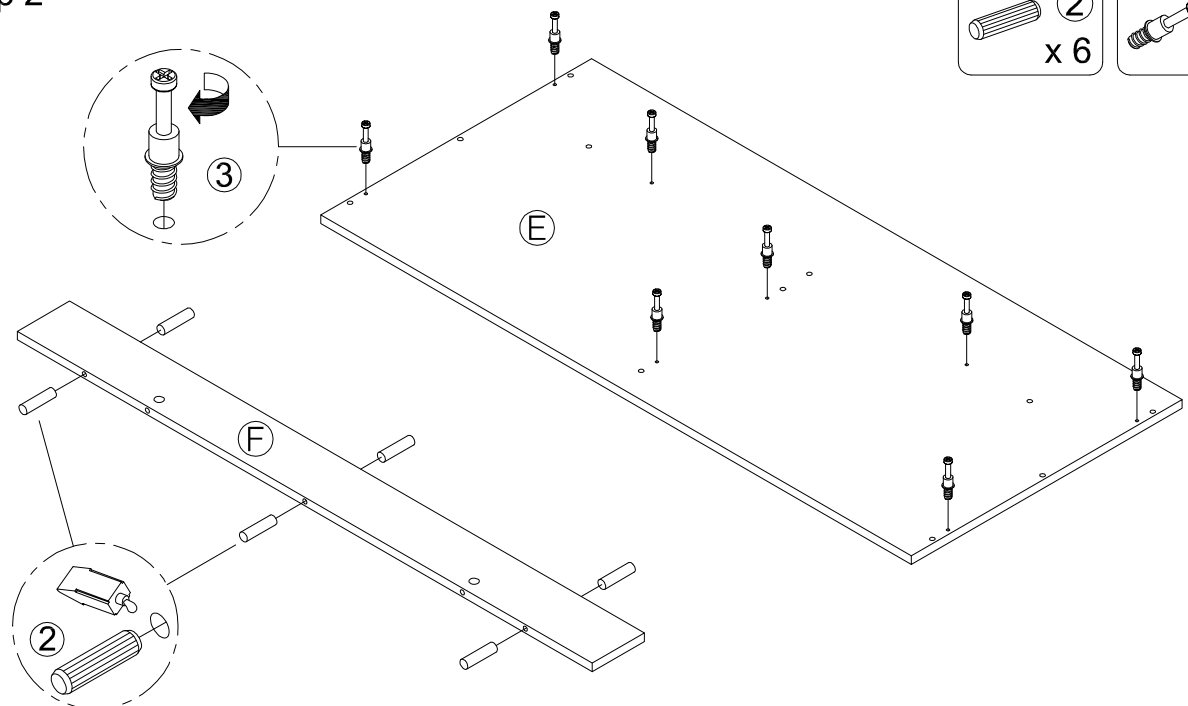
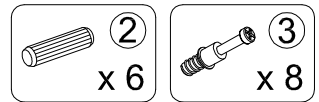
INCORRECT CORRECT



Apply glue on all wooden dowels to ensure integrity of the structure.



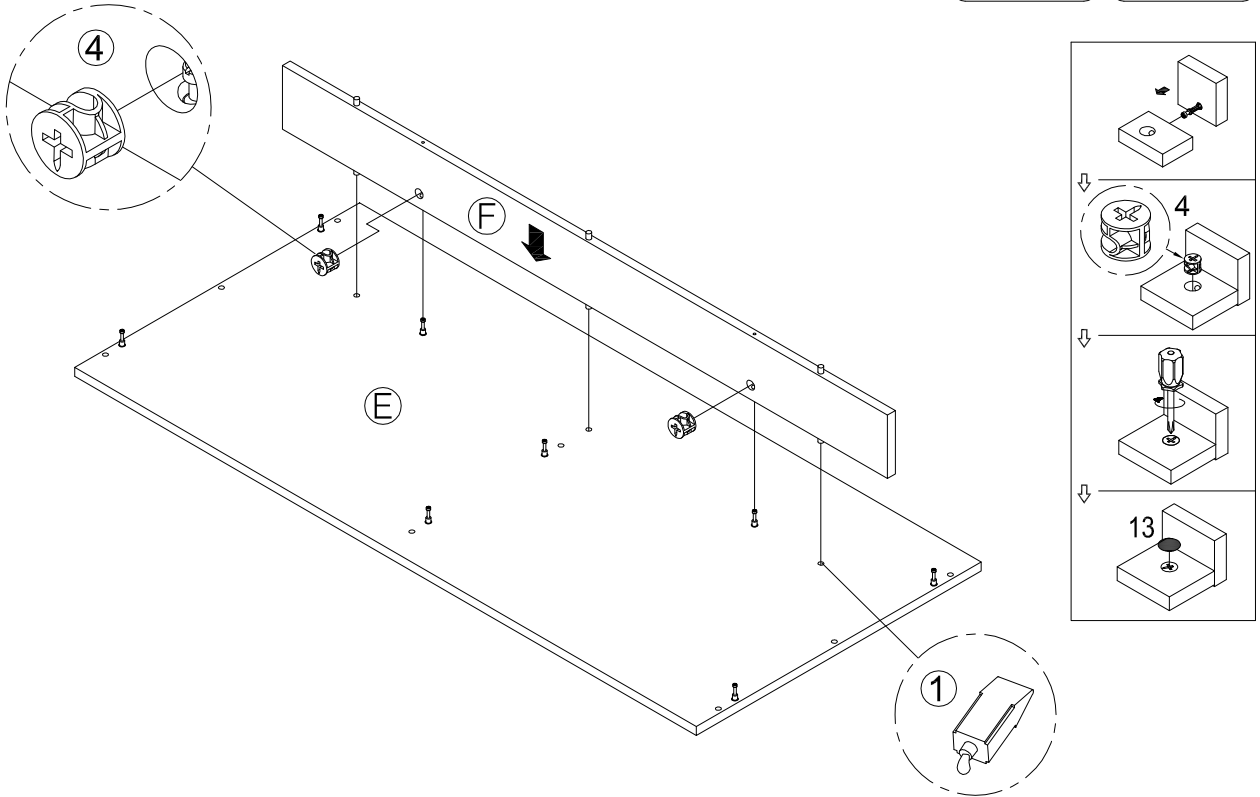
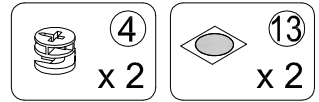
## Step 2



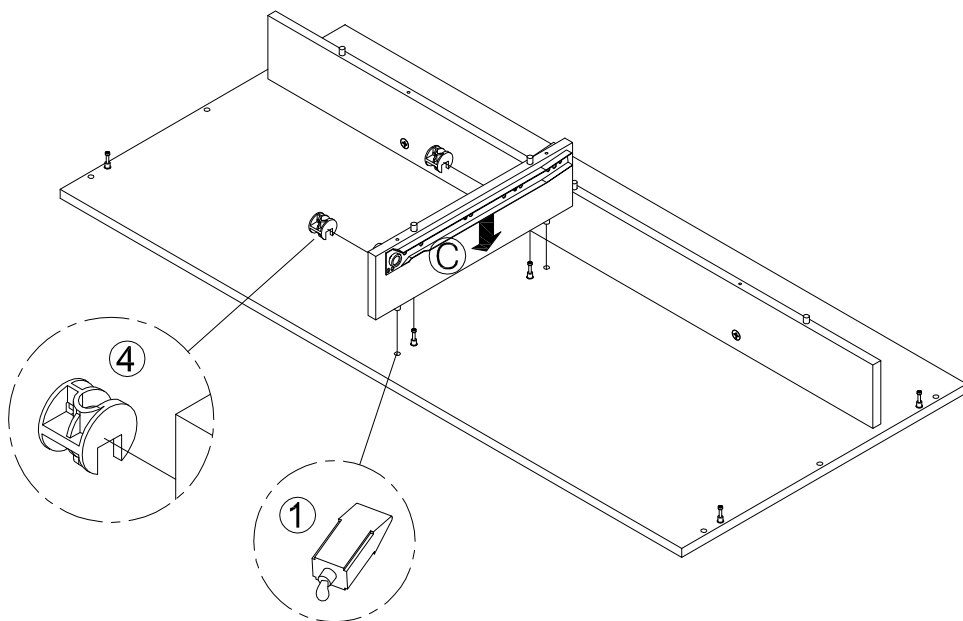
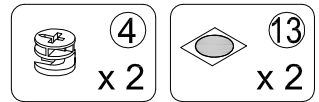
# ASSEMBLY INSTRUCTION

MODEL: #403-715 TAUPE OAK DESK (V#12600MCHA1)

Step 3



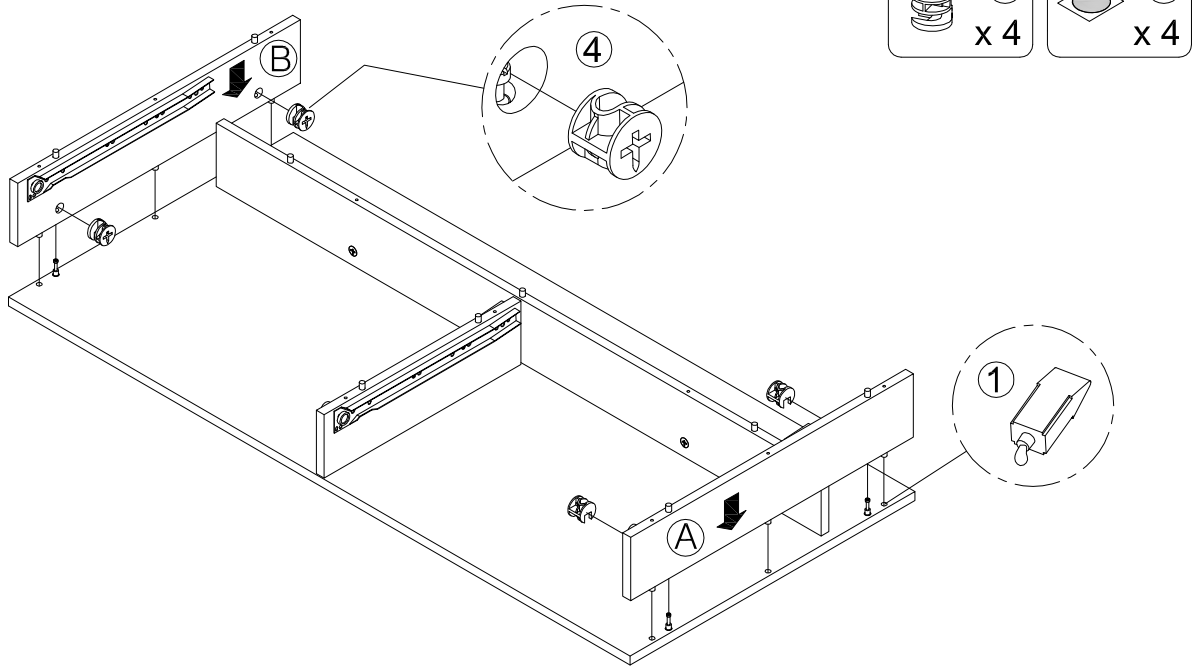
Step 4



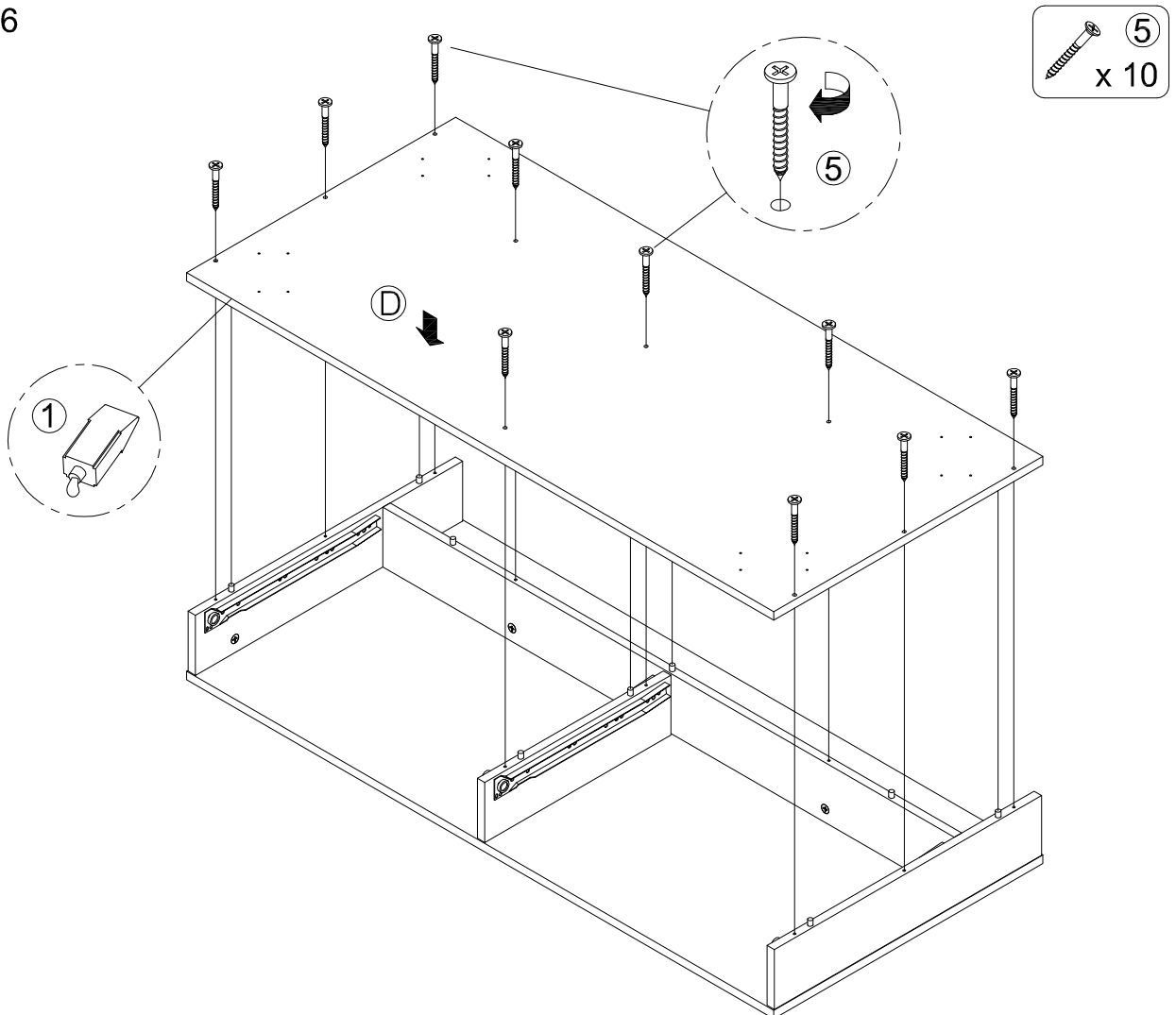
# ASSEMBLY INSTRUCTION

MODEL: #403-715 TAUPE OAK DESK (V#12600MCHA1)

Step 5



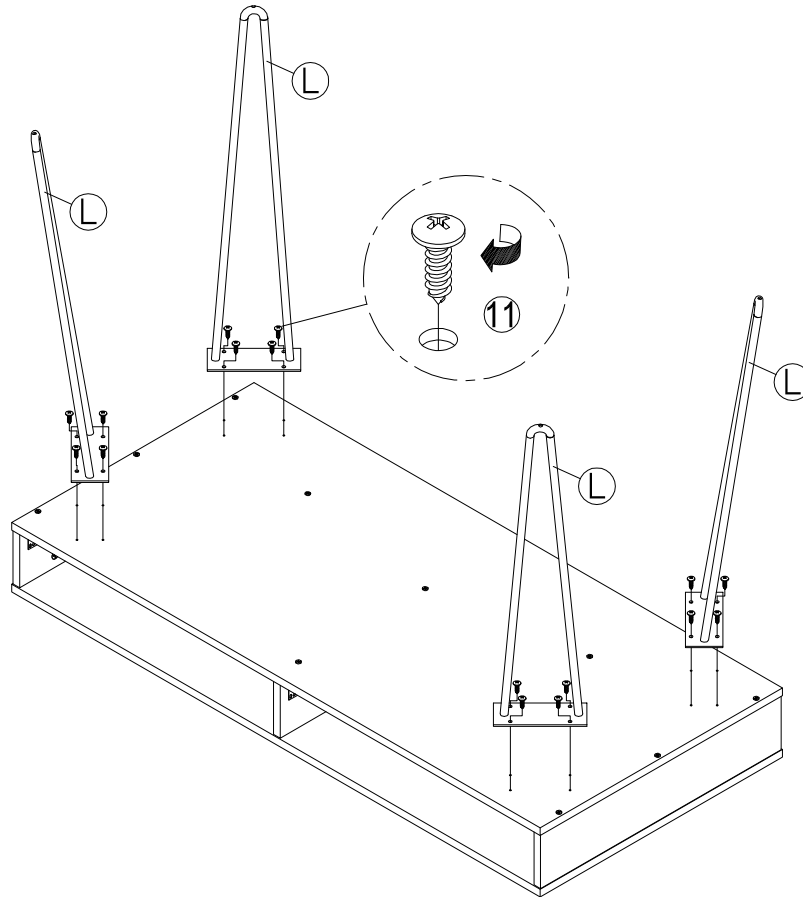
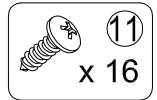
Step 6



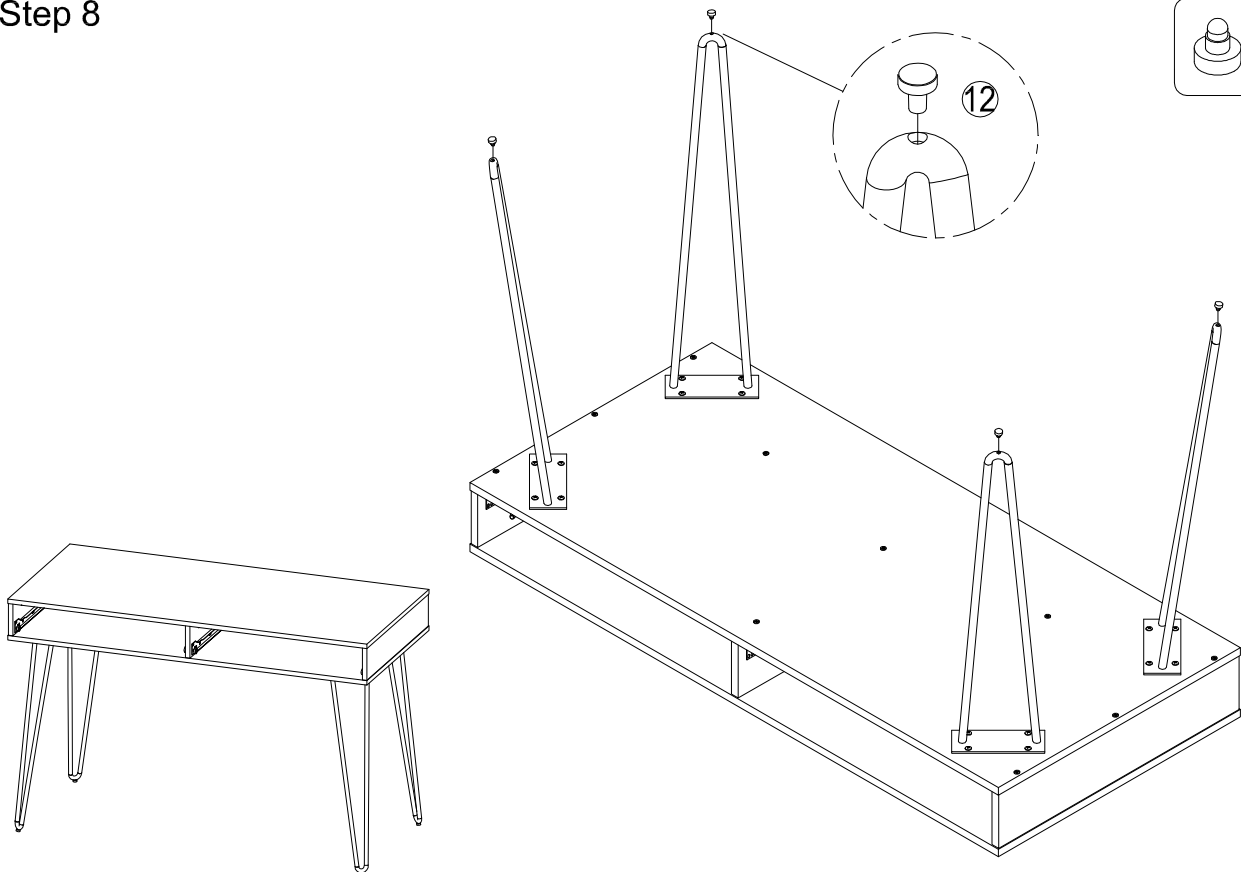
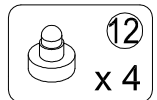
# ASSEMBLY INSTRUCTION

MODEL: #403-715 TAUPE OAK DESK (V#12600MCHA1)

Step 7



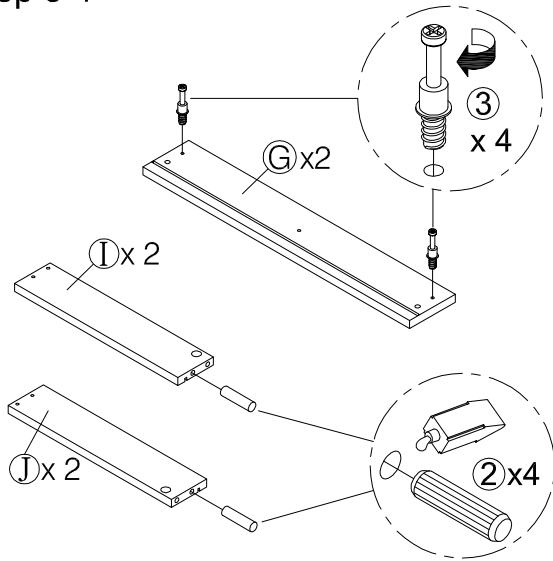
Step 8



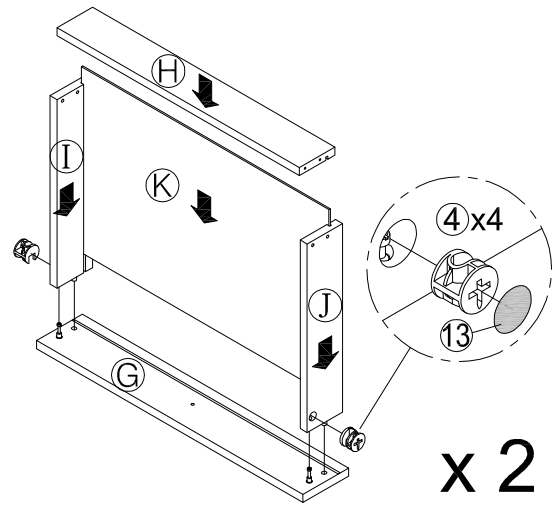
# ASSEMBLY INSTRUCTION

MODEL: #403-715 TAUPE OAK DESK (V#12600MCHA1)

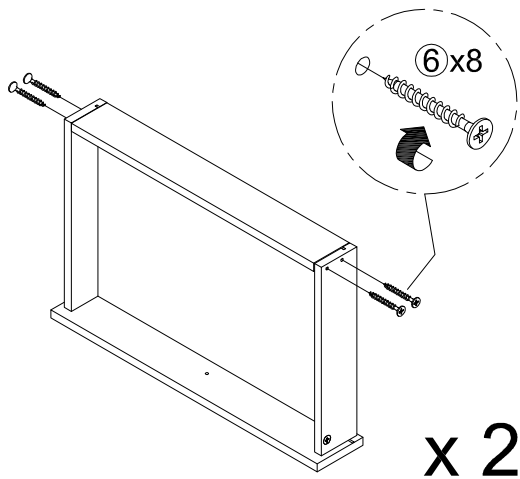
Step 9-1



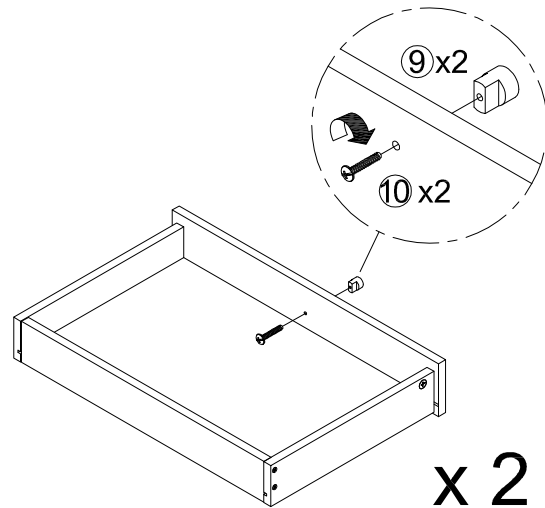
Step 9-2



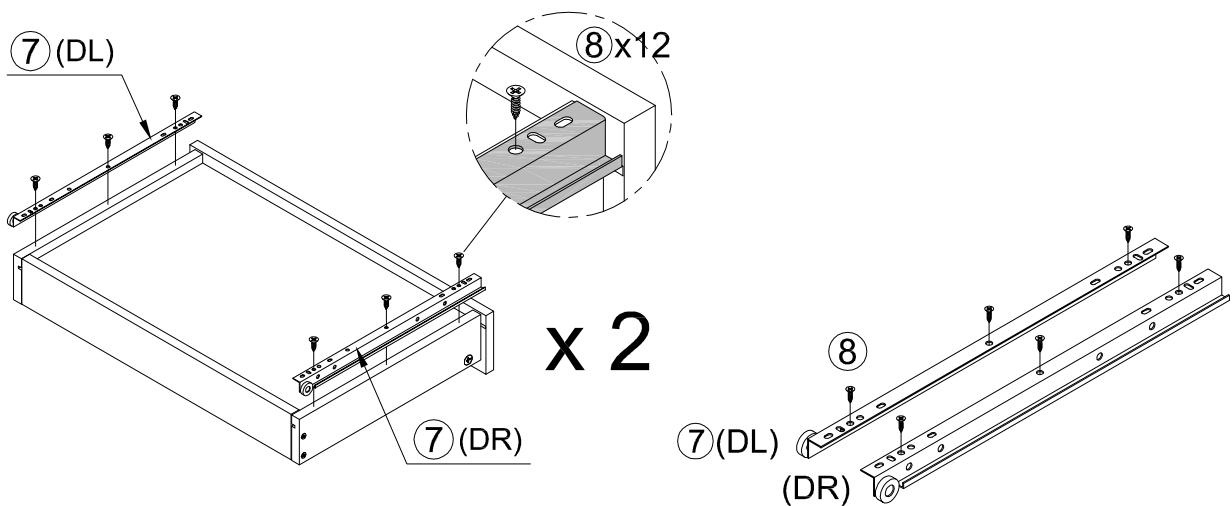
Step 9-3



Step 9-4



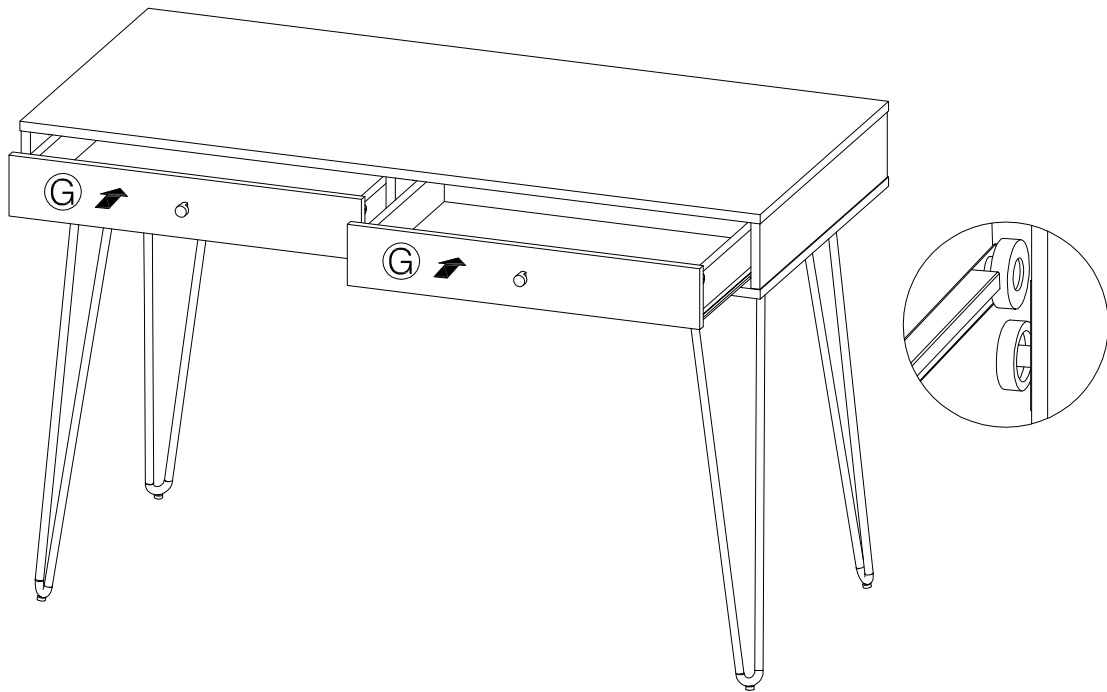
Step 9-5



# ASSEMBLY INSTRUCTION

MODEL: #403-715 TAUPE OAK DESK (V#12600MCHA1)

Step 10



Step 11

COMPLETER

