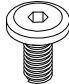
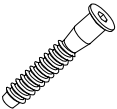


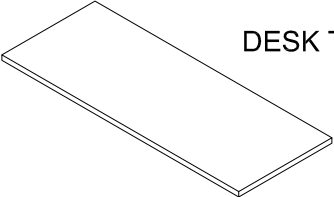
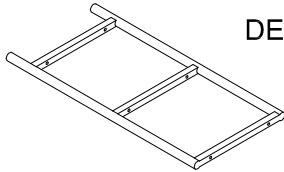
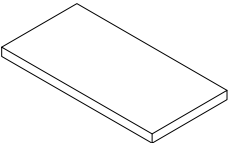
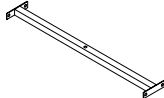


# ASSEMBLY INSTRUCTION

**MODEL: #401-715 GOLDEN OAK DESK (V#12600MCHA1)**

**NOTE: THIS ITEM NOT RECOMMENDED FOR COMMERCIAL USE  
KEEP THIS DOCUMENT FOR REFERENCE IN CASE PARTS ARE NEEDED  
DO NOT TIGHTEN SCREWS UNTIL COMPLETELY ASSEMBLED**

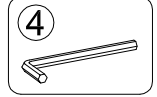
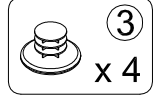
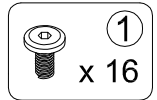
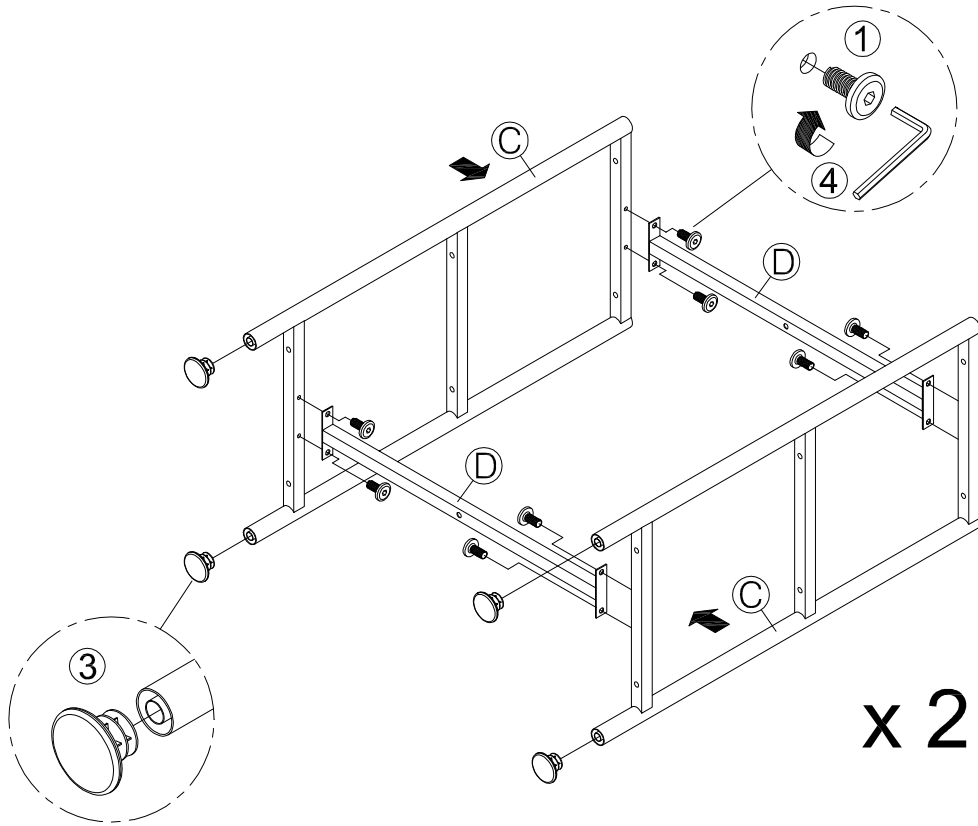
HARDWARE LIST			
NO	ITEM	DESCRIPTION	QTY
1		BOLT M6x15mm	16 PCS
2		BOLT φ7x40mm	28 PCS
3		FLOOR PROTECTOR φ45mm	8 PCS
4		ALLEN WRENCH 4mm	1 PC

PART LIST							
NO	ITEM	DESCRIPTION	QTY	NO	ITEM	DESCRIPTION	QTY
A		DESK TOP	1 PC	C		DESK LEG	4 PCS
B		SHELF	4 PCS	D		CROSS BAR	4 PCS

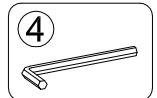
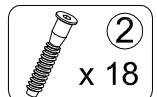
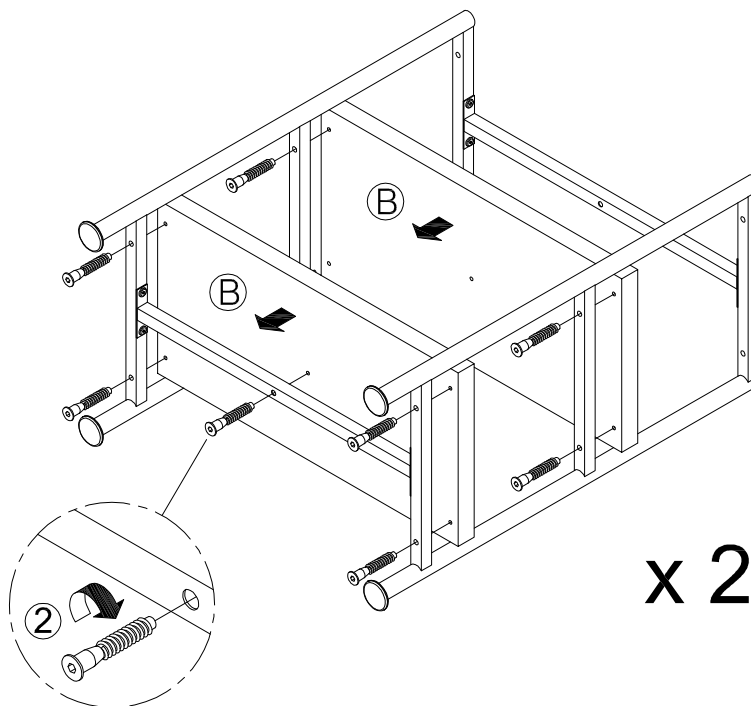
# ASSEMBLY INSTRUCTION

MODEL: #401-715 GOLDEN OAK DESK (V#12600MCHA1)

## Step 1



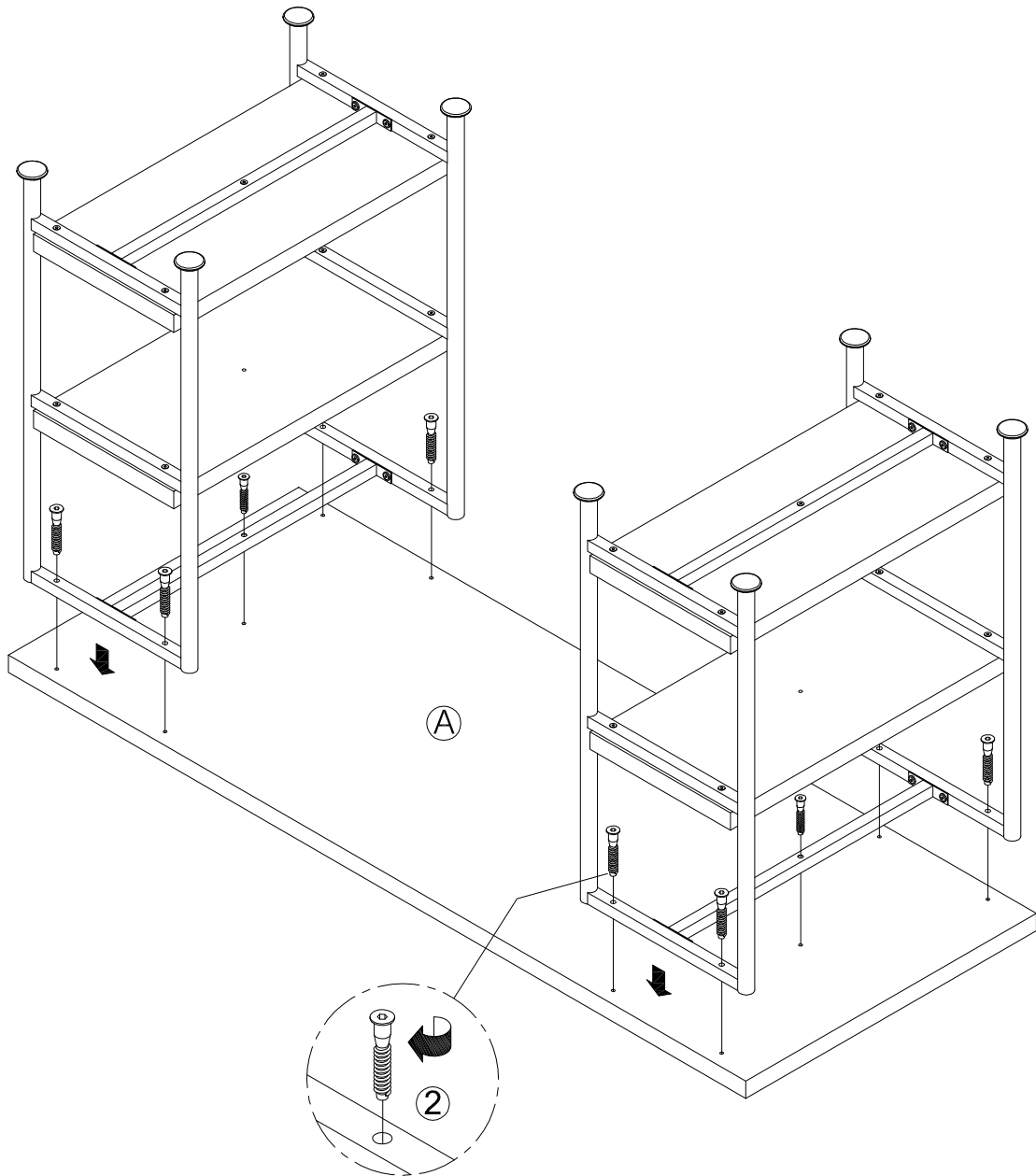
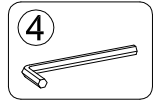
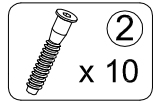
## Step 2



# ASSEMBLY INSTRUCTION

MODEL: #401-715 GOLDEN OAK DESK (V#12600MCHA1)

Step 3



# ASSEMBLY INSTRUCTION

MODEL: #401-715 GOLDEN OAK DESK (V#12600MCHA1)

Step 4

COMPLETER

